

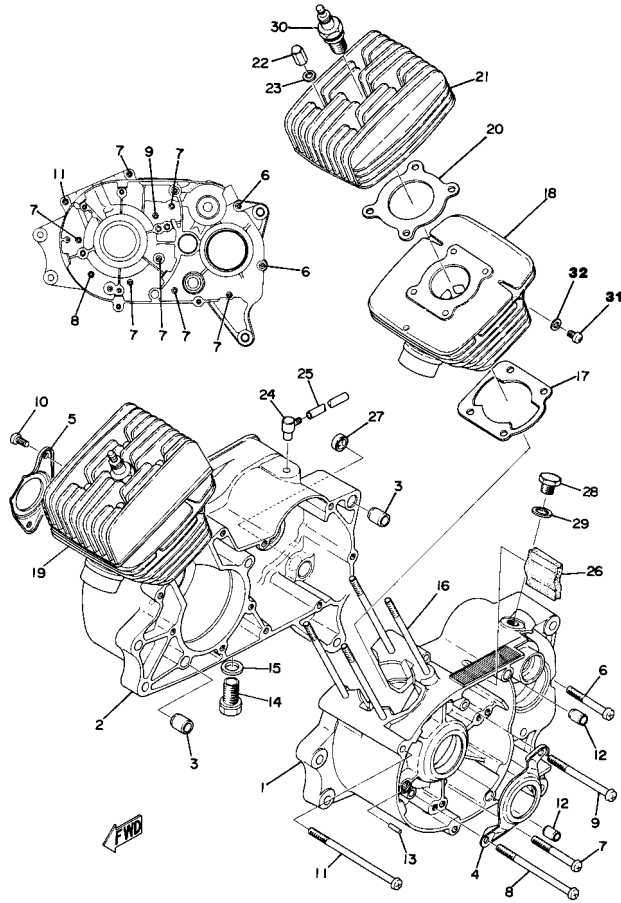
YAMAHA

GENUINE

PARTS CATALOGUE

MOTORCYCLE

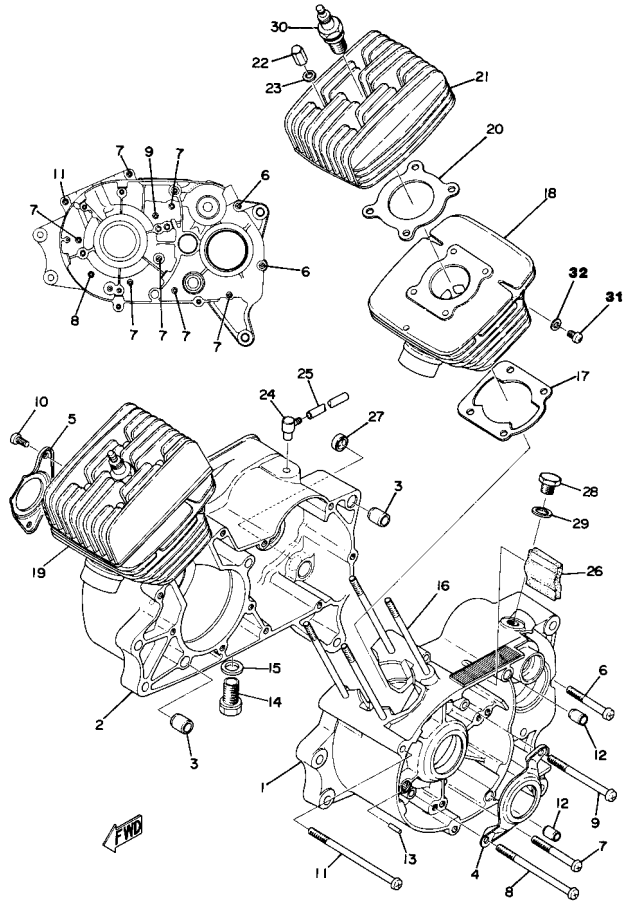
CRANKCASE-CYLINDER



Ref. No.	Part Number	Description	Qty	Remarks
1	(389-15111-00-00)	CRANKCASE 1	1	
2	(389-15121-00-00)	CRANKCASE 2	1	
3	99510-12016-00	PIN, DOWEL	2	
4	(389-15128-00-00)	HOLDER	1	
5	(389-15118-00-00)	HOLDER	1	
6	98580-06055-00	SCREW, pan head (92501-06065-00)	2	
7	92580-06560-00	SCREW PAN HEAD	7	
8	(92501-06105-00)	SCREW, PAN HEAD	1	
9	98501-06095-00	SCREW, PAN HEAD	1	
10	98580-06012-00	SCREW, PAN HEAD	2	
11	98501-06120-00	SCREW, PAN HEAD	1	
12	99530-10014-00	PIN, DOWEL	2	
13	93603-14026-00	PIN, DOWEL	1	
14	90340-12005-00	PLUG, DRAIN	1	
15	37R-82543-00-00	GASKET	1	
16	90116-06026-00	BOLT, STUD	8	
17	396-11351-00-00	GASKET, CYLINDER	2	
18	(307-11311-71-00)	CYLINDER 1	1	
19	(307-11321-71-00)	CYLINDER 2	1	
20	183-11181-00-00	GASKET, CYLINDER HEAD 1 .	2	
21	(307-11111-70-94)	HEAD, CYLINDER 1	2	
22	90176-06002-00	NUT, CROWN	8	
23	90201-06038-00	WASHER, PLATE	8	
24	583-15371-00-00	BREATHER	1	
25	90446-07241-00	HOSE (3AK)	1	
26	(241-15357-01-00)	GROMMET	1	
27	(90338-15005-00)	PLUG, SPEC'L SHAPE	1	
28	90340-12004-00	PLUG, STRAIGHT SCREW	1	

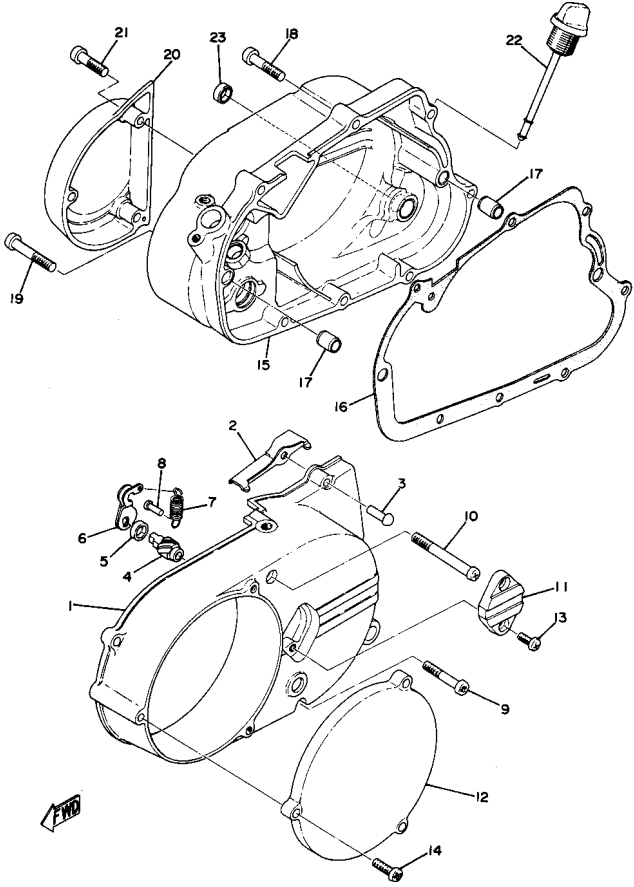
CONTINUED ON NEXT FRAME ►

CRANKCASE-CYLINDER



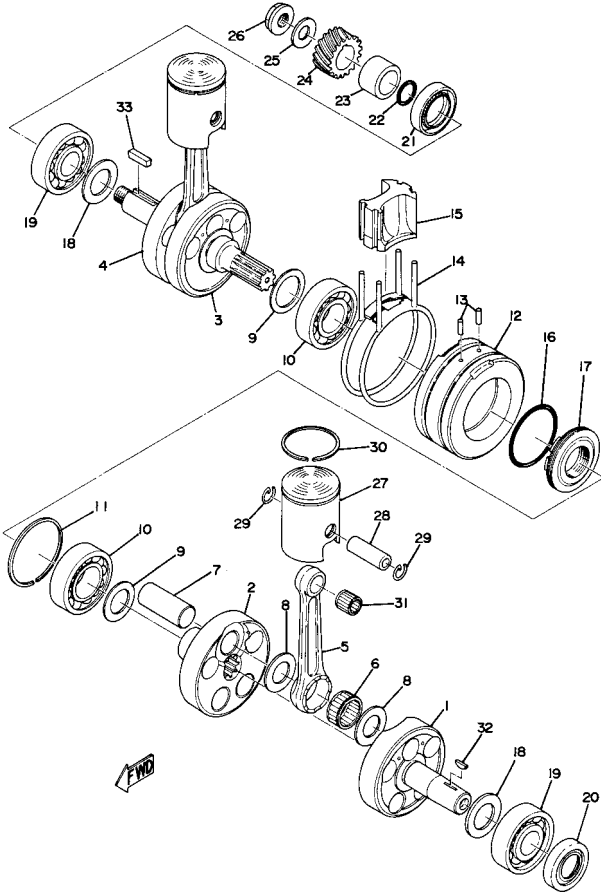
Ref. No.	Part Number	Description	Qty	Remarks
29	90430-12207-00	GASKET	1	
30	(94701-00017-00)	SPARK PLUG B10EN	2	
31	98580-06008-00	SCREW, PAN HEAD	2	
32	90430-06011-00	GASKET	2	

CRANKCASE COVER



Ref. No.	Part Number	Description	Qty	Remarks
1	(307-15410-00-00)	CRCS COVER ASSEMBLY L	1	
2	(183-15418-01-00)	COVER, CHAIN CASE	1	
3	(90266-06005-00)	RIVET	1	
4	241-16341-01-00	. SCREW, PUSH	1	
5	93104-10085-00	. OIL SEAL, SO-TYPE	1	
6	241-16342-00-00	. LEVER, PUSH	1	
7	90506-10019-00	. SPRING, TENSION	1	
8	132-16346-00-00	. HOOK, SPRING	1	
9	98580-06035-00	SCREW, PAN HEAD	2	
10	92580-06560-00	SCREW PAN HEAD	1	
11	(396-15417-00-00)	COVER, CAP	1	
12	(400-15415-00-00)	COVER, GENERATOR	1	
13	98580-05012-00	SCREW, PAN HEAD	2	
14	98580-06020-00	SCREW	3	
15	(396-15421-00-00)	COVER, CRANKCASE R	1	
16	252-15451-00-00	GASKET, CRCS COVER	1	
17	91830-02014-00	UNAVAILABLE IN PRICE BOOK	2	
18	98580-06030-00	SCREW PAN HEAD	7	
19	98580-06040-00	SCREW, pan head (92501-06040-00)	1	
20	(326-15416-00-00)	COVER, OIL PUMP	1	
21	98511-06025-00	SCREW PAN HEAD (92501-06025)	3	
22	(307-15363-00-00)	PLUG, OIL	1	
23	90338-14004-00	PLUG, SPEC'L SHAPE	1	

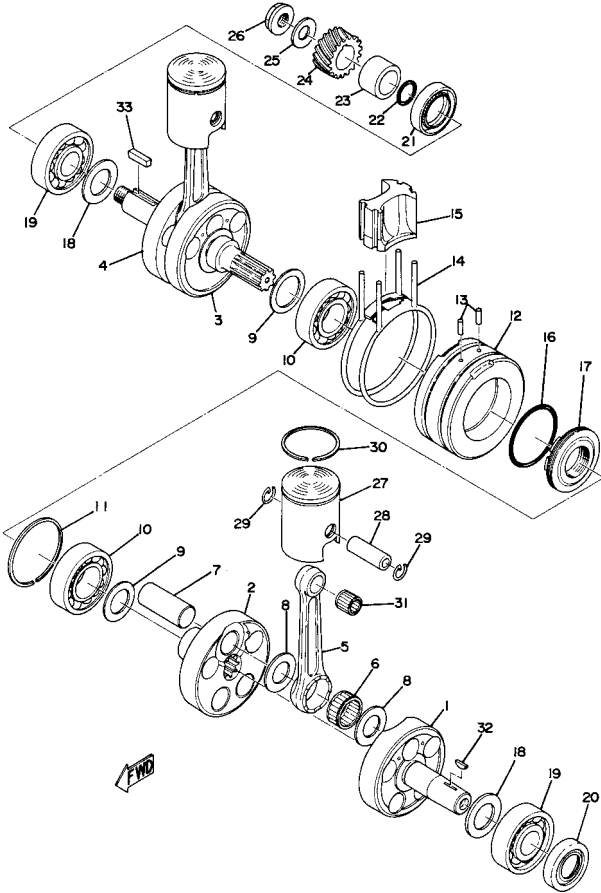
CRANK-PISTON



Ref. No.	Part Number	Description	Qty	Remarks
1	(183-11412-03-00)	CRANK 1	1	
2	(132-11422-04-00)	CRANK 2	1	
3	(132-11432-03-00)	CRANK 3	1	
4	(389-11442-00-00)	CRANK 4	1	
5	1E7-11651-00-00	. ROD, CONNECTING	2	
6	93310-41847-00	. BEARING, CYLINDER.# 0 ...	2	
7	3R1-11681-00-00	. PIN, CRANK 1	2	
8	90209-18112-00	. WASHER, SPEC'L SHAP ...	4	
9	132-11561-00-03	. SHIM, CRANK 1	2	U.R.
	132-11561-00-05	. SHIM, CRANK 1	2	U.R.
10	93306-20529-00	. BEARING (B6205C4)	2	
11	93450-52010-00	. CIRCLIP	1	
12	(132-11511-02-00)	COVER, CRANK	1	
13	93604-18058-00	. PIN, DOWEL	2	
14	183-11512-00-00	. SEAL, CRANK COVER	2	
15	(307-11541-00-00)	METAL, FILLER	1	
16	93210-48045-00	. O-RING	1	
17	132-11515-01-00	. SEAL, LABYRINTH 1	1	
18	136-11561-00-03	SHIM, CRANK 1	2	U.R.
	136-11561-00-04	SHIM, CRANK 1	2	U.R.
	136-11561-00-05	SHIM, CRANK 1	2	U.R.
	136-11561-00-06	SHIM, CRANK 1	2	U.R. -03
	136-11561-00-07	SHIM, CRANK 1	2	U.R. -03
	136-11561-00-08	SHIM, CRANK 1	2	U.R. -04
19	93306-30421-00	BEARING (B6304C3)	2	
20	93102-20117-00	OIL SEAL, SD-TYPE	1	
21	93103-28011-00	OIL SEAL	1	
22	93210-180A6-00	O-RING	1	
23	90387-20163-00	COLLAR	1	

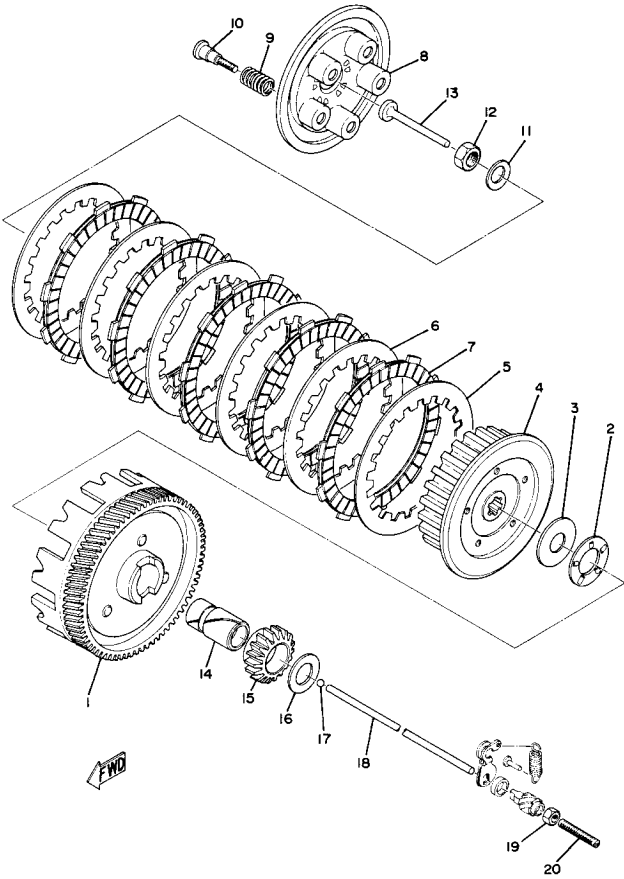
CONTINUED ON NEXT FRAME ➤

CRANK-PISTON



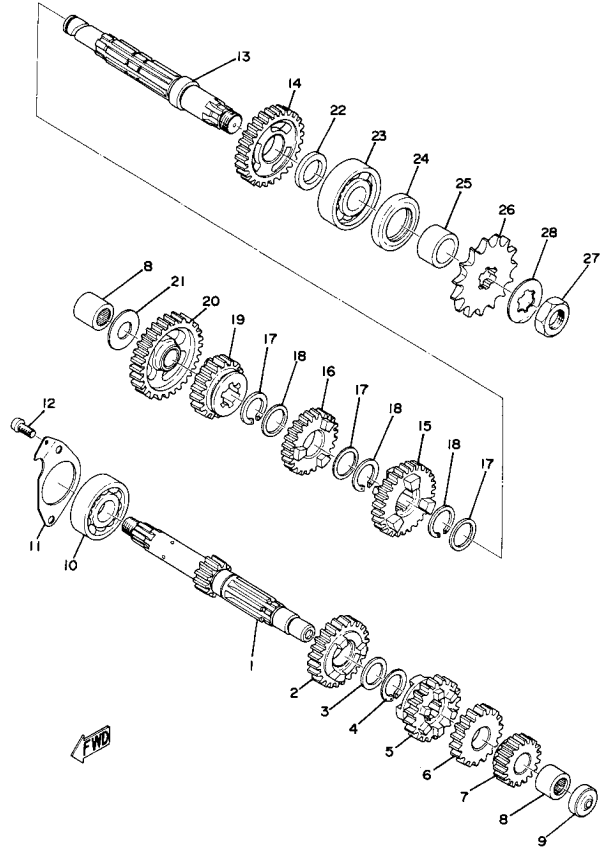
Ref. No.	Part Number	Description	Qty	Remarks
24	(389-16111-00-00)	GEAR, PRI DRIVE	1	
25	90208-12015-00	WASHER, CONICAL SPRING ..	1	
26	90179-12244-00	NUT, SPEC'L SHAPE	1	
27	307-11631-70-96	PISTON STD	2	U.R.
28	183-11633-01-00	PIN, PISTON	2	
29	93450-13022-00	CIRCLIP	4	
30	183-11611-70-00	RING, PISTON	2	
31	93310-11296-00	BEARING, CYLINDER.# 0	2	
32	90280-03017-00	KEY, WOODRUFF	1	
33	90282-05005-00	KEY, STRAIGHT	1	
-1	(400-11400-00-00)	CRANKSHAFT ASSEMBLY ...	1	

CLUTCH



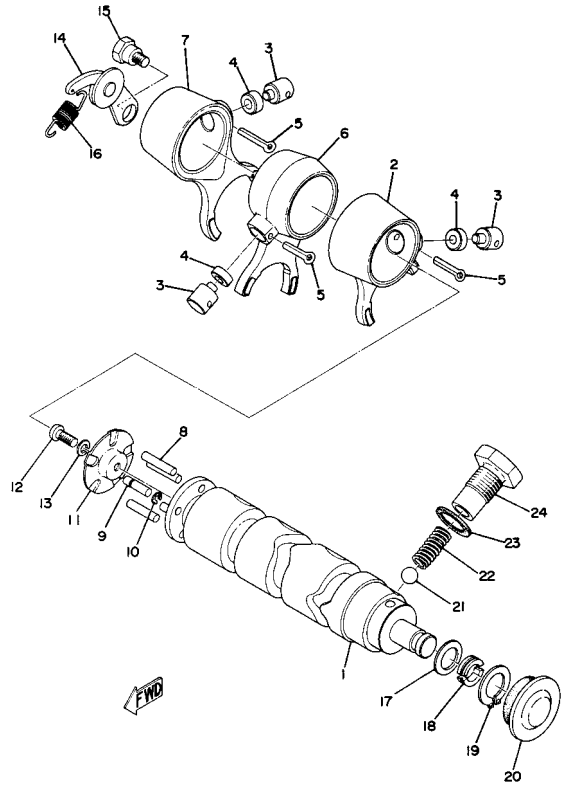
Ref. No.	Part Number	Description	Qty	Remarks
1	(307-16150-00-00)	PRI DRVN GEAR	1	
2	93341-22302-00	. BEARING	1	
3	131-16154-00-00	. PLATE, THRUST 1	1	
4	132-16371-02-00	. BOSS, CLUTCH	1	
5	137-16325-00-00	. PLATE, CLUTCH 2	2	
6	137-16325-70-00	. PLATE, CLUTCH 2	4	
7	(400-16321-10-00)	PLATE, FRICTION	5	
8	132-16351-00-00	. PLATE, PRESSURE 1	1	
9	90501-20123-00	. SPRING, COMPRESSION	5	
10	(90149-05147-00)	SCREW, SPECL SHAPE	5	
11	90208-12015-00	WASHER, CONICAL SPRING	1	
12	90170-12060-00	NUT	1	
13	137-16356-00-00	ROD, PUSH 1	1	
14	(90560-17158-00)	SPACER	1	
15	(132-15631-00-00)	GEAR, KICK PINION	1	
16	122-16164-00-00	PLATE, THRUST 2	1	
17	93501-04011-00	BALL	1	
18	307-16357-00-00	ROD, PUSH 2	1	
19	95380-06700-00	NUT	1	
20	90113-06013-00	BOLT, SET	1	
-1	(400-16301-00-00)	CLUTCH ASSEMBLY	1	

TRANSMISSION



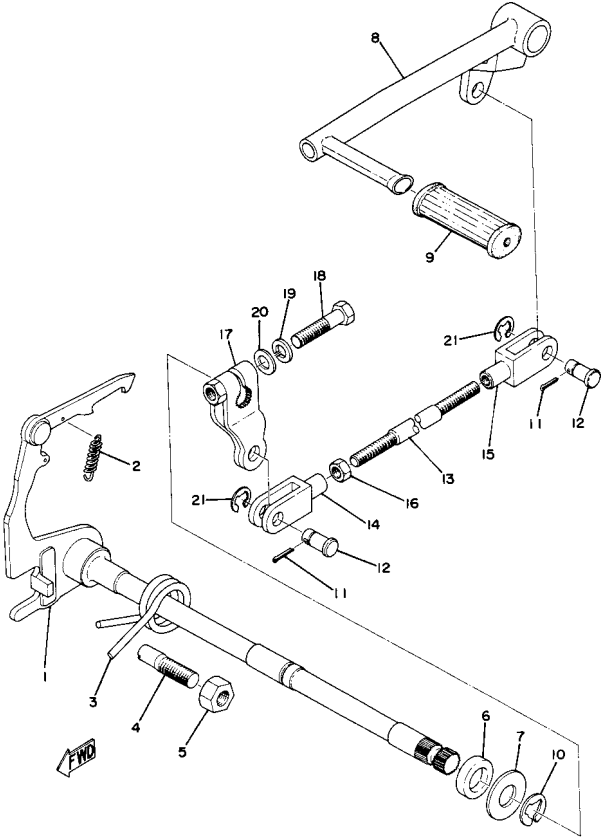
Ref. No.	Part Number	Description	Qty	Remarks
1	(400-17410-00-00)	MAIN AXLE	1	
2	(389-17151-00-00)	GEAR, 5TH PINION	1	
3	90201-20266-00	WASHER, PLATE (1.0T)	1	
4	93410-20038-00	CIRCLIP	1	
5	(389-17141-00-00)	GEAR, 4TH PINION	1	
6	(307-17131-00-00)	GEAR, 3RD PINION	1	
7	(307-17121-70-00)	GEAR, 2ND PINION	1	
8	93315-31502-00	BEARING	2	
9	93109-06060-00	SEAL, PUSH ROD	1	
10	93306-30309-00	BEARING	1	
11	(307-17471-00-00)	PLATE, COVER	1	
12	98580-06012-00	SCREW, PAN HEAD	2	
13	(389-17421-00-00)	AXLE, DRIVE	1	
14	(307-17221-70-00)	GEAR, 2ND WHEEL	1	
15	(400-17231-00-00)	GEAR, 3RD WHEEL	1	
16	(389-17241-00-00)	GEAR, 4TH WHEEL	1	
17	93410-20038-00	CIRCLIP	3	
18	90201-20266-00	WASHER, PLATE (1.0T)	3	
19	(389-17251-00-00)	GEAR, 5TH WHEEL	1	
20	(307-17211-70-00)	GEAR, 1ST WHEEL	1	

SHIFTER 1



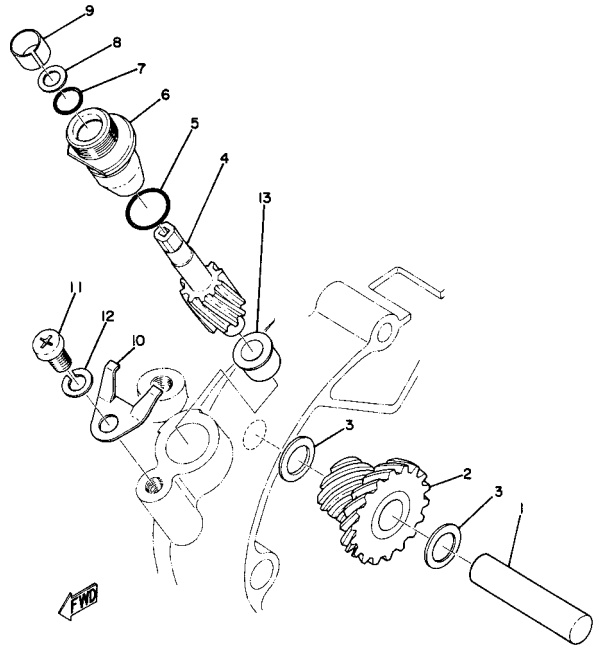
Ref. No.	Part Number	Description	Qty	Remarks
1	(183-18541-02-00)	CAM, SHIFT	1	
2	(183-18511-00-00)	FORK, SHIFT 1	1	
3	(90250-10020-00)	PIN, STRAIGHT	3	
4	(164-18551-00-00)	ROLLER, CAM FOLWR	3	
5	91401-25020-00	PIN, COTTER	3	
6	(183-18512-00-00)	FORK, SHIFT 2	1	
7	(183-18513-00-00)	FORK, SHIFT 3	1	
8	93604-22050-00	PIN, DOWEL	4	
9	90249-04039-00	PIN, SPEC'L SHAPE (174-18544-00)	1	
10	93430-03014-00	CIRCLIP, E-TYPE	1	
11	164-18561-00-00	PLATE, SIDE 1	1	
12	98580-05012-00	SCREW, PAN HEAD	1	
13	92990-05100-00	WASHER, SPRING	1	
14	132-18140-01-00	STOPPER LEVER ASSEMBLY .	1	
15	90109-06001-00	BOLT	1	
16	90506-09112-00	SPRING, TENSION	1	
17	90201-12166-00	WASHER, PLATE	1	
18	307-18571-00-00	HOLDER, SHIFT CAM	2	
19	93440-15012-00	CIRCLIP	1	
20	(307-18533-00-00)	PLUG, BLIND	1	
21	93505-16006-00	BALL	1	
22	90501-12083-00	SPRING, COMPRESSION (174-18558-00)	1	
23	137-15353-00-00	GASKET, DRAIN	1	
24	90109-14385-00	BOLT	1	

SHIFTER 2



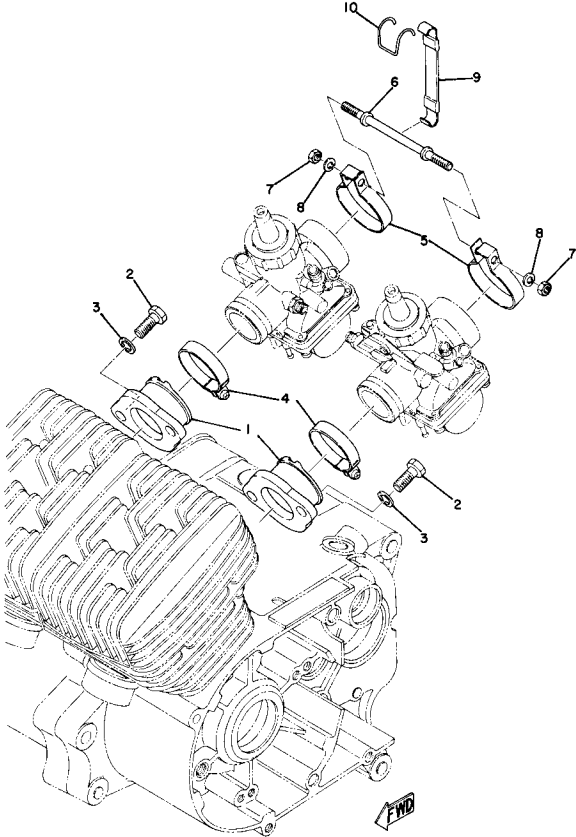
Ref. No.	Part Number	Description	Qty	Remarks
1	(307-18101-01-00)	SHIFT SHAFT ASSEMBLY 1	1	
2	90506-09009-00	. SPRING, TENSION	1	
3	90508-32207-00	SPRING, TORSION (132-18124-00)	1	
4	90149-08094-00	SCREW	1	
5	95333-08600-00	NUT, HEXAGON	1	
6	93102-12321-00	OIL SEAL, SD-TYPE	1	
7	90201-12575-00	WASHER, PLATE	1	
8	(307-18111-71-91)	PEDAL, SHIFT	1	
9	240-18113-00-00	COVER, SHIFT PEDAL	1	
10	99006-10600-00	CIRCLIP	1	
11	91490-20020-00	PIN, COTTER	2	
12	(90249-08085-00)	PIN, SPEC'L SHAPE	2	
13	(307-18115-71-00)	ROD, SHIFT	1	
14	(240-18116-10-00)	JOINT, ROD 1	1	
15	(240-18117-10-00)	JOINT, ROD 2	1	
16	95380-06600-00	NUT	1	
17	4X8-18112-00-00	ARM, SHIFT	1	
18	97021-06030-00	BOLT	1	
19	92995-06100-00	WASHER, SPRING	1	
20	90201-06038-00	WASHER, PLATE	1	
21	99009-06600-00	CIRCLIP	2	

TACHOMETER GEAR



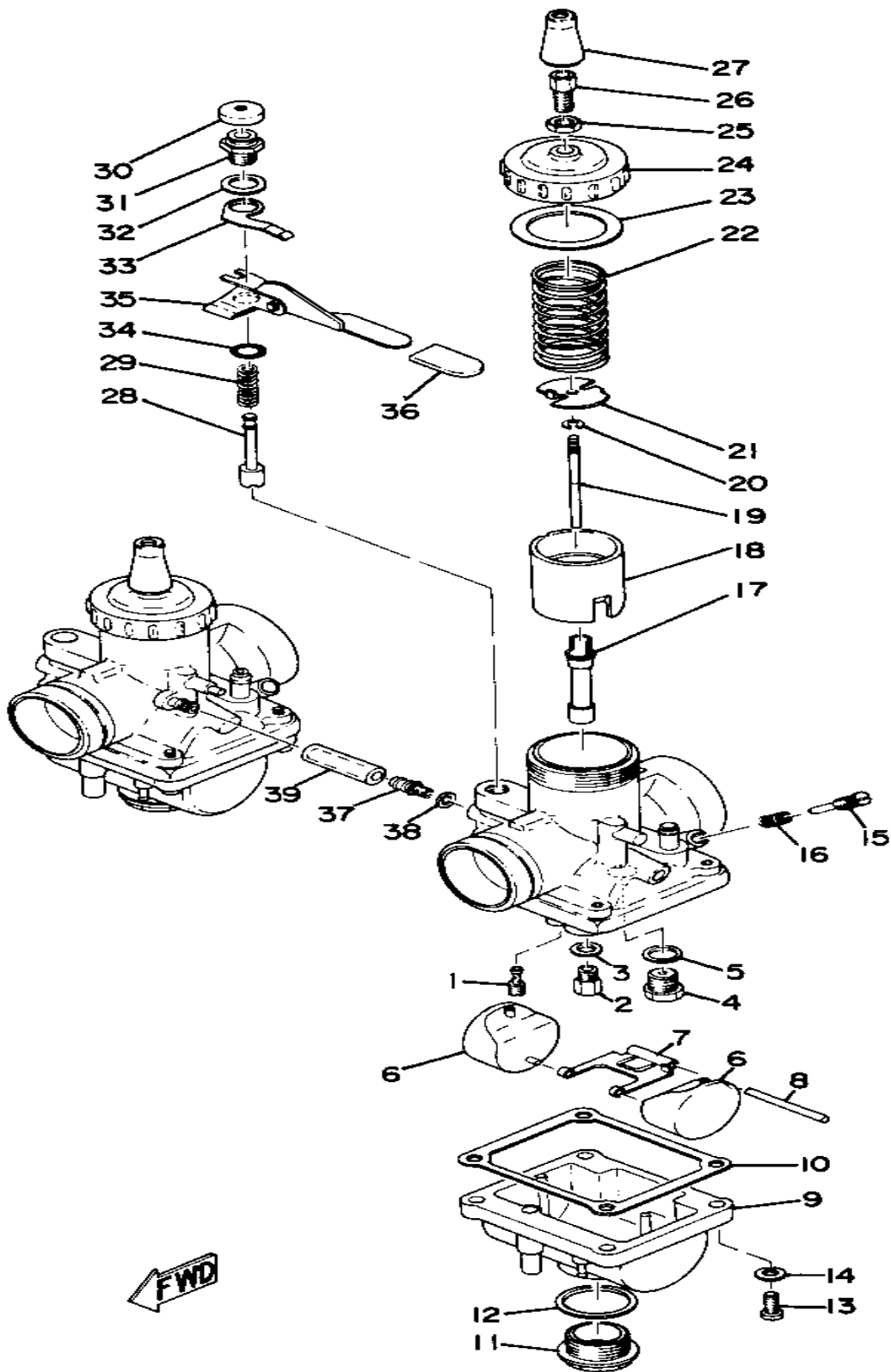
Ref. No.	Part Number	Description	Qty	Remarks
1	237-17861-00-00	AXLE, DRIVE GEAR	1	
2	248-17831-02-00	GEAR, DRIVE	1	
3	248-17837-00-00	SHIM	2	
4	(248-17841-00-00)	GEAR, DRIVEN	1	
5	93210-13016-00	O-RING	1	
6	353-17810-00-00	HOUSING ASSEMBLY, TACH (214-17811-01)	1	
7	93210-07100-00	O-RING	1	
8	214-17847-00-00	SHIM (7.5-10.8-0.4)	1	
9	90383-10005-00	BUSH, FORMED (214-17815-00) 0 1	1	
10	5U7-17812-00-00	STOPPER	1	
11	98580-06010-00	SCREW, PAN HEAD (92503-06010)	1	
12	92995-06100-00	WASHER, SPRING	1	
13	214-17843-00-00	BUSH, SOLID	1	

INTAKE



Ref. No.	Part Number	Description	Qty	Remarks
1	278-13555-00-00	MANIFOLD, INTAKE	2	
2	97313-08018-00	BOLT, HEXAGON (97301-08016)	4	
3	92990-08100-00	WASHER	4	
4	90460-39052-00	CLAMP, HOSE	2	
5	(90460-44055-00)	CLAMP, HOSE	2	
6	(307-14486-70-00)	SCREW, ROD	1	
7	95380-06600-00	NUT	2	
8	92995-06100-00	WASHER, SPRING	2	
9	(294-14491-00-00)	HOLDER	1	
10	(90468-20052-00)	CLIP	1	

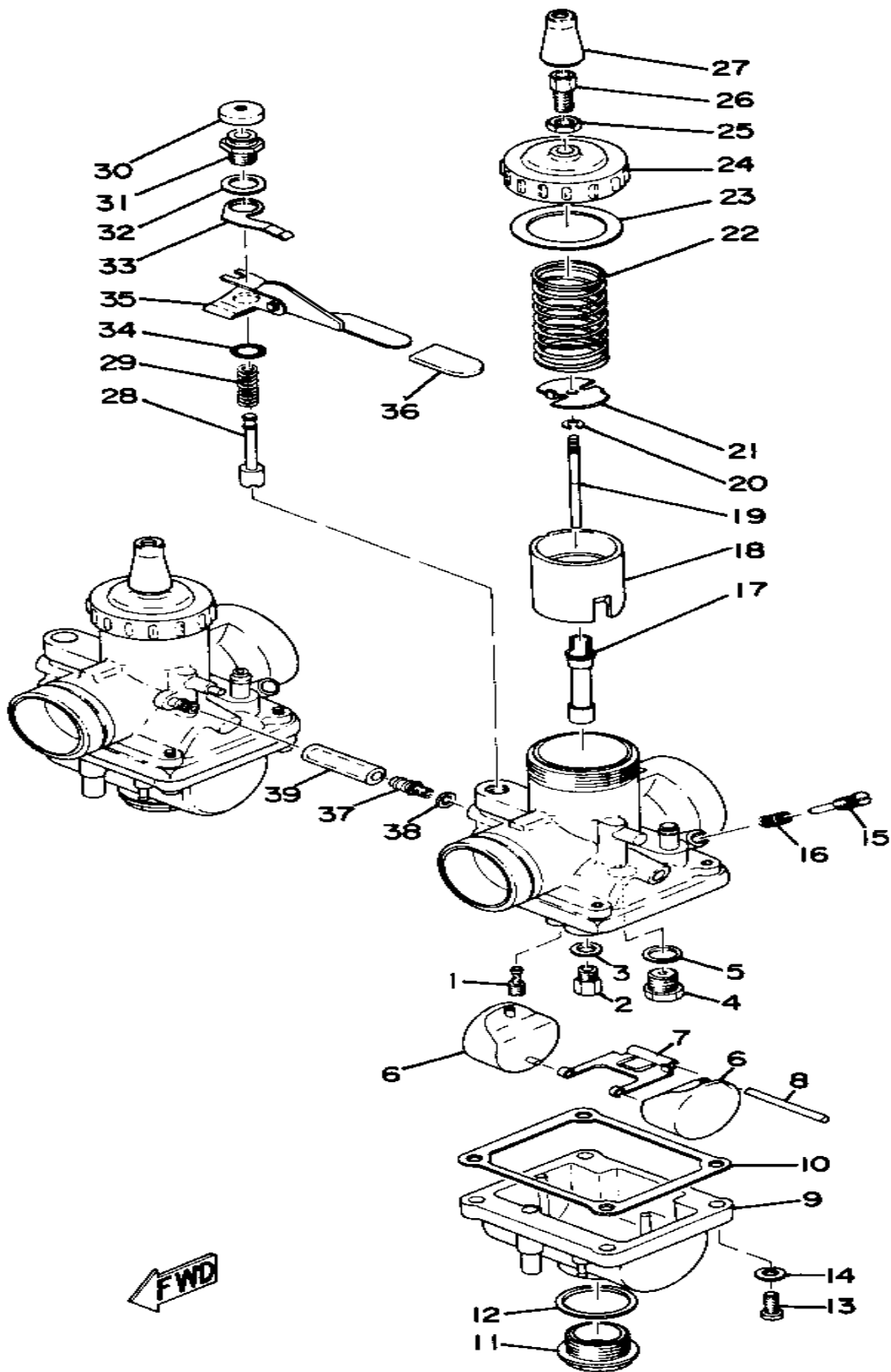
CARBURETOR



Ref. No.	Part Number	Description	Qty	Remarks
1	193-14142-40-A1	. JET, PILOT (# 40)	2	
2	137-14143-36-A1	. JET, MAIN #1 0	2	U.R.
	137-14143-38-A0	. JET, MAIN #1 0	2	U.R.
	137-14143-40-A1	. JET, MAIN #2 0	2	U.R.
	137-14143-42-A1	. JET, MAIN #2 0	2	U.R.
	137-14143-44-A1	. JET, MAIN #2 0	2	U.R.
3	137-14153-00-00	. WASHER, MAIN JET	2	
4	23L-14107-25-00	. NEEDLE VALVE SET	2	
5	214-14195-00-00	. WASHER, NEEDLE VALVE	2	
6	280-14185-00-00	. FLOAT	4	
7	280-14187-00-00	. ARM, FLOAT	2	
8	127-14186-00-00	. PIN, FLOAT	2	
9	(278-14181-00-00)	BODY, FLOAT CHMBR 1	1	
	(278-14183-00-00)	BODY, FLOAT CHMBR 2	1	
10	278-14184-00-00	. GASKET, FLOAT CHMBR	2	
11	(278-14115-00-00)	PLUG, SCREW	2	
12	278-14117-00-00	. WASHER, PLUG SCREW	2	
13	98503-04014-00	. SCREW, PAN HEAD	8	
14	92901-04600-00	. WASHER, PLATE	8	
15	23X-14104-00-00	. AIR SCREW SET	2	
16	127-14134-00-00	. SPRING, AIR ADJUSTING	2	
17	(280-14141-20-00)	NOZZLE, MAIN	2	
18	(278-14112-10-00)	VALVE, THROTTLE 1	1	
	(278-14113-10-00)	VALVE, THROTTLE 2	1	
19	(644-14116-15-00)	NEEDLE	2	
20	164-14137-00-00	. CLIP	2	
21	256-14936-00-00	. SEAT, SPRING	2	
22	204-14131-00-00	. SPRING, THRTL VALVE	2	
23	246-14126-00-00	. GASKET	2	

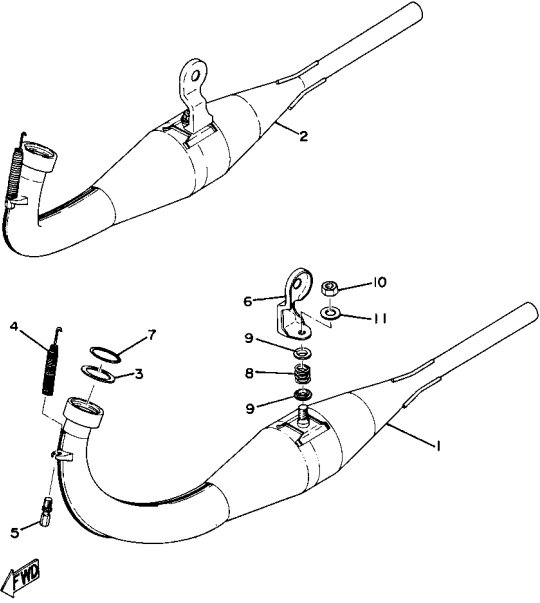
CONTINUED ON NEXT FRAME ►

CARBURETOR



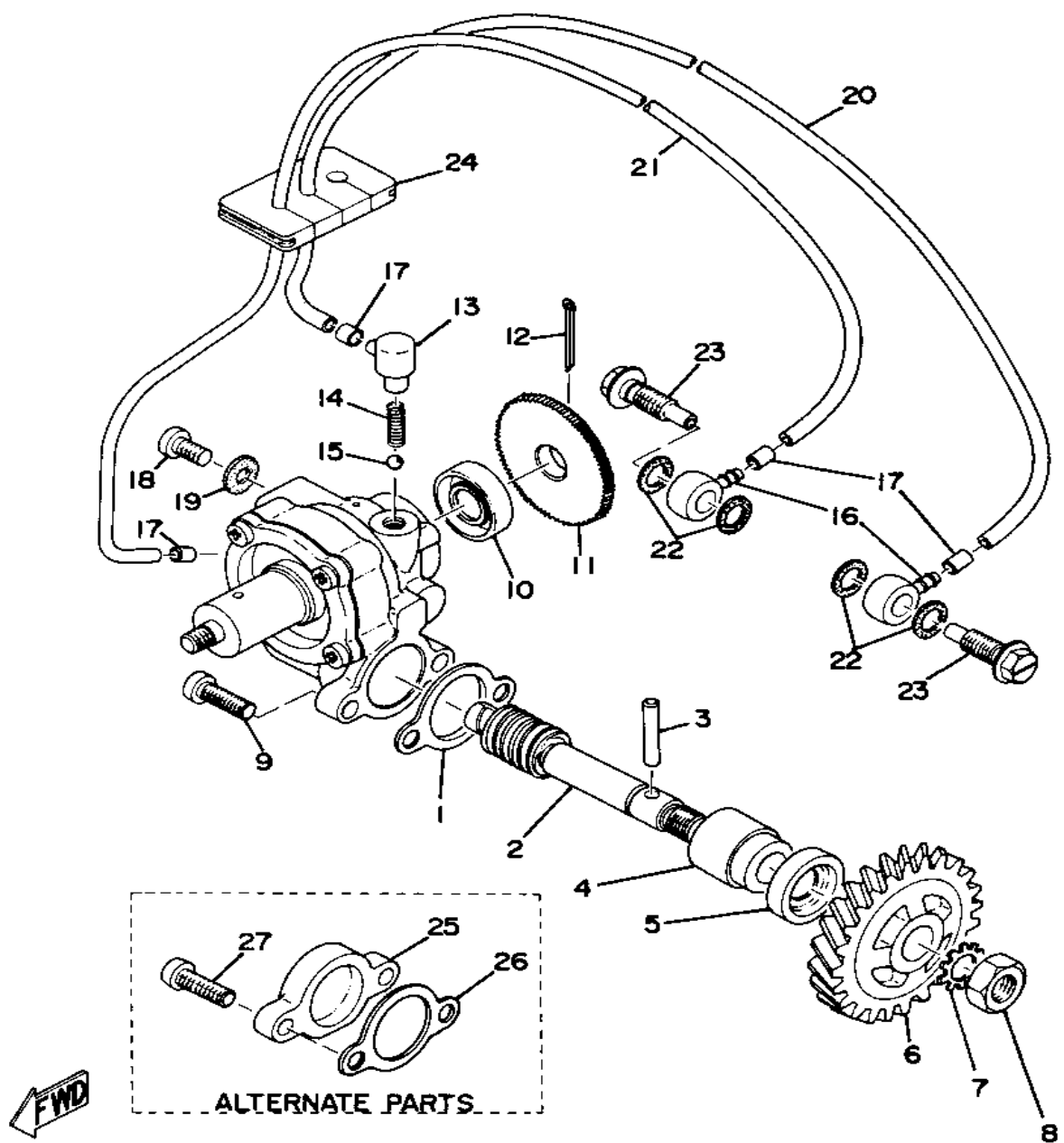
Ref. No.	Part Number	Description	Qty	Remarks
24	802-14158-00-00	. TOP, MIXING CHAMBER	2	
25	802-14161-00-00	. NUT, CABLE ADJUSTING . . .	2	
26	12G-14106-00-00	. CABLE ADJUST SCREW SET	2	
27	802-14169-00-00	. CAP	2	
28	278-14171-00-00	. PLUNGER, STARTER	1	
29	256-14135-00-00	. SPRING, PLUNGER	1	
30	802-14173-00-00	. COVER, PLUNGER CAP	1	
31	(278-14174-00-00)	CAP, PLUNGER	1	
32	(132-14179-00-00)	WASHER, STARTER LVR	1	
33	(170-14178-00-00)	PLATE, STARTER LVR	1	
34	93220-09001-00	. O-RING	1	
35	360-14175-00-00	. LEVER, STARTER 1	1	
36	(278-14169-00-00)	CAP	1	
37	(278-14251-00-00)	NIPPLE	1	
38	(278-14151-00-00)	WASHER, NEEDLE	1	
39	(307-14149-70-00)	PIPE	1	
-1	(307-14101-71-00)	CARBURETOR ASSEMBLY 1 . .	1	
-2	(307-14102-71-00)	CARBURETOR ASSEMBLY 2 . .	1	

EXHAUST



Ref. No.	Part Number	Description	Qty	Remarks
1	(307-14610-71-00)	EXHAUST PIPE ASSEMBLY L .	1	
2	(307-14620-71-00)	EXHAUST PIPE ASSEMBLY R .	1	
3	132-14613-00-00	GASKET, EXST PIPE	2	
4	90507-20012-00	SPRING, TENSION (145-14683-00)	2	
5	90109-08305-00	BOLT (322-14684-10)	2	
6	(307-14771-70-33)	STAY, MUFFLER 1	2	YAMAHA BLACK
7	93210-37532-00	O-RING	4	
8	(90501-16106-00)	SPRING, COMPRESSION	2	
9	(90560-12111-00)	SPACER	4	
10	95611-08100-00	NUT, U	2	
11	92990-08200-00	WASHER, PLAIN	2	

OIL PUMP



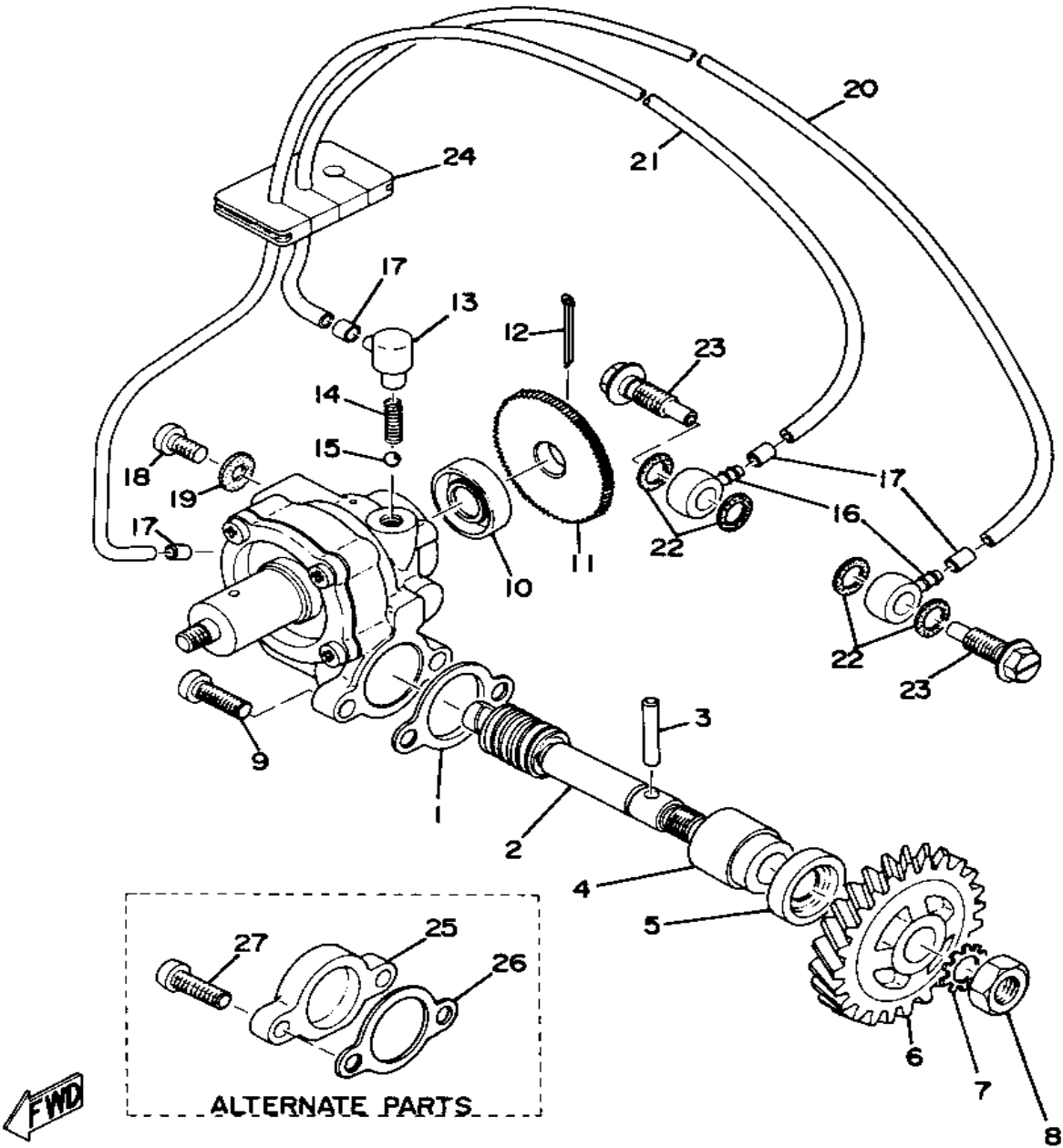
Ref. No.	Part Number	Description	Qty	Remarks
1	3MT-13116-00-00	GASKET, PUMP CASE (8Y0-13116-00)	1	
2	(174-13175-00-00)	SHAFT, WORM	1	
3	93603-22028-00	PIN, DOWEL	1	
4	1E7-13176-00-00	METAL, WRM SHAF OTR	1	
5	93101-10002-00	OIL SEAL	1	
6	(132-13178-01-00)	GEAR, PUMP DRIVE	1	
7	92901-08400-00	WASHER, EX.TOOTH	1	
8	95303-08700-00	NUT	1	
9	98580-05016-00	SCREW, PAN HEAD (98501-05016)	2	
10	93101-10090-00	. OIL SEAL	1	
11	(137-13128-00-00)	PLATE, STARTER	1	
12	91401-12018-00	. PIN, COTTER	1	
13	353-13552-01-00	. NOZZLE	2	
14	90501-02018-00	. SPRING, COMPRESSION	2	
15	93505-32002-00	. BALL	2	
16	214-13162-01-00	. BANJO, DLVRY PIPE	2	
18	98901-04008-00	. SCREW, BIND	1	
19	90430-04004-00	. GASKET	1	
20	90445-05034-00	. HOSE	1	
21	90445-05301-00	. HOSE (214-13161-01)	1	1
22	90430-06011-00	GASKET	1	
23	90401-06011-00	BOLT, UNION	2	
24	(293-13174-00-00)	HOLDER, OIL PIPE	1	
25	161-15426-00-00	COVER, OIL PUMP R	1	ALTERNATE PARTS
26	3MT-13116-00-00	GASKET, PUMP CASE (8Y0-13116-00)	1	
27	98580-05016-00	SCREW, PAN HEAD (98501-05016)	2	

CONTINUED ON NEXT FRAME ►

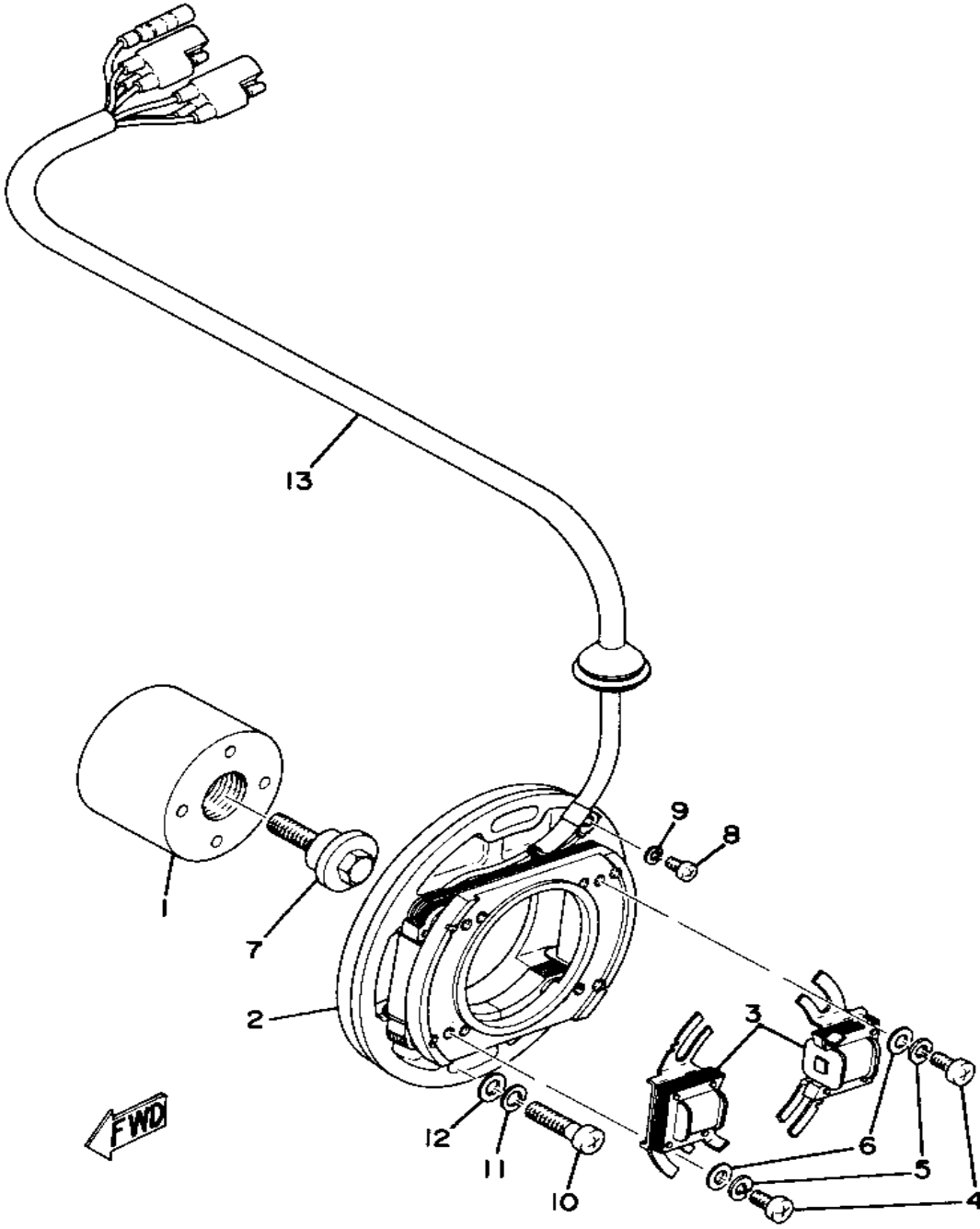
OIL PUMP

Ref. No.	Part Number	Description	Qty	Remarks
----------	-------------	-------------	-----	---------

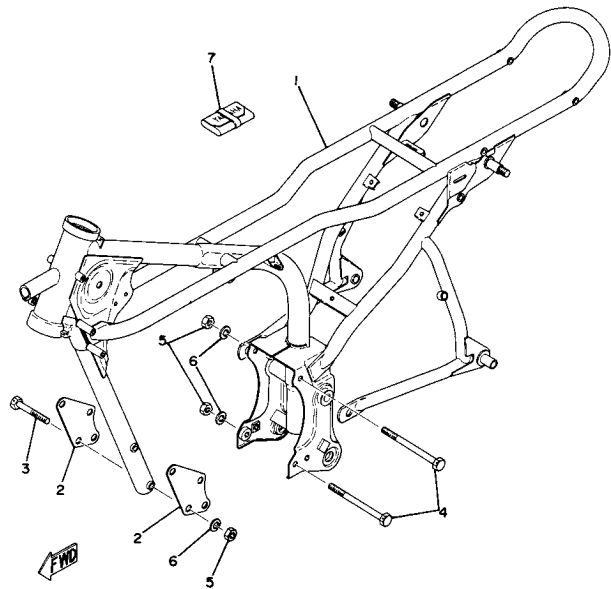
-1	(400-13101-00-00)	OIL PUMP ASSEMBLY	1	
----	-------------------	-------------------------	---	--



C - D - I - MAGNETO



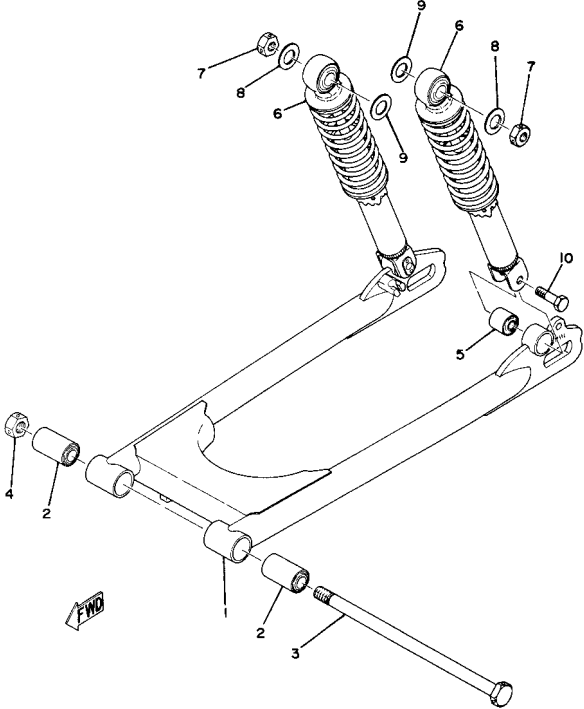
Ref. No.	Part Number	Description	Qty	Remarks
1	(400-85550-11-00)	ROTOR ASSEMBLY	1	
2	(400-85510-10-00)	STATOR ASSEMBLY	1	
3	364-85543-10-00	. COIL PULSER	2	
4	98580-05010-00	. SCREW, PAN HEAD	4	
5	92990-05100-00	. WASHER, SPRING	4	
6	92990-05200-00	. WASHER, PLAIN	4	
7	328-85559-10-00	. ROTOR	1	
8	98580-04008-00	. SCREW, PAN HEAD	1	
9	92901-04100-00	. WASHER, SPRING	1	
10	98501-05030-00	. SCREW, PAN HEAD	2	
11	92990-05100-00	. WASHER, SPRING	2	
12	92990-05200-00	. WASHER, PLAIN	2	
13	(328-85515-10-00)	LEAD WIRE ASSEMBLY	1	
-1	(400-85500-12-00)	CDI MAGNETO ASSEMBLY ...	1	



FRAME

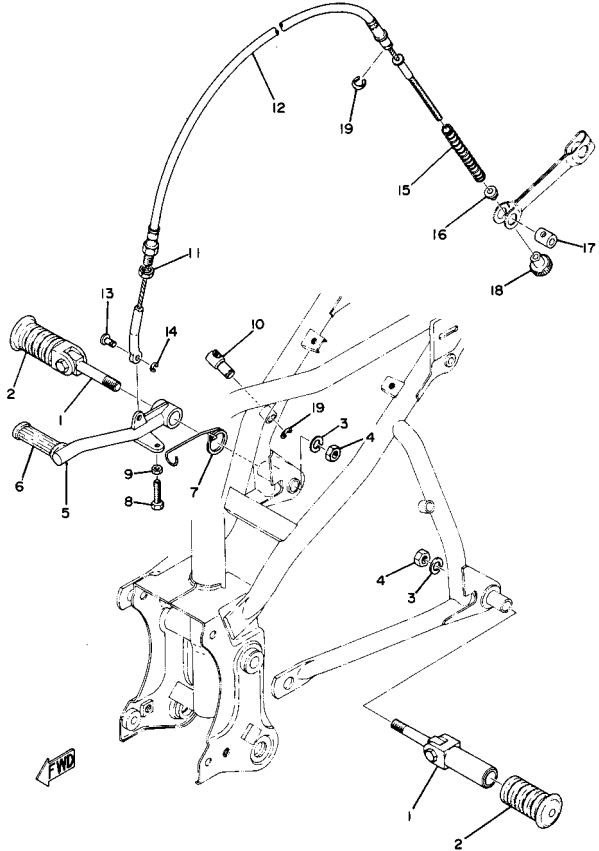
Ref. No.	Part Number	Description	Qty	Remarks
1	(400-21110-00-33)	FRAME	1	YAMAHA BLACK
2	(307-21315-00-33)	STAY, ENGINE 2	2	YAMAHA BLACK
3	(95101-08055-00)	BOLT, DOME HD.DRILL	4	
4	(95101-08115-00)	BOLT, DOME HD.DRILL	2	
5	90179-08288-00	NUT, SPEC'L SHAPE	6	
6	92990-08100-00	WASHER	6	
7	(396-28100-10-00)	TOOL KIT	1	

REAR ARM-REAR CUSHION



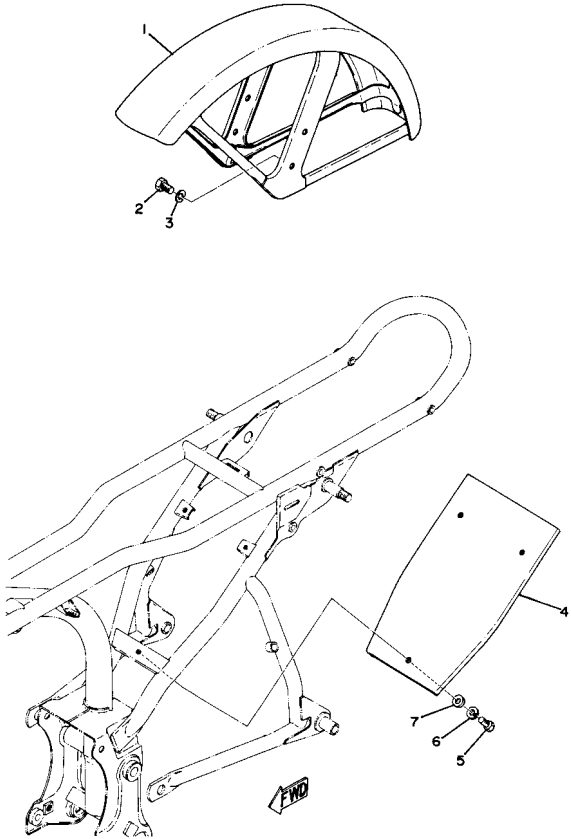
Ref. No.	Part Number	Description	Qty	Remarks
1	(400-22110-00-33)	REAR ARM	1	YAMAHA BLACK
2	307-22123-00-00	BUSH 1	2	
3	(90109-12172-00)	BOLT	1	
4	95301-12100-00	UNAVAILABLE IN PRICE BOOK	1	
5	164-22216-00-00	BUSH, REAR SHOCK ABSORBER	2	
6	(400-22210-00-00)	SHK/ABS ASSEMBLY, REAR .	2	
7	(90179-10119-00)	NUT, SPEC'L SHAPE	2	
8	90201-10437-00	WASHER, PLATE	2	
9	90201-14218-00	WASHER, PLATE	2	
10	(400-22241-00-00)	BOLT 1	2	

FOOTREST-BRAKE PEDAL



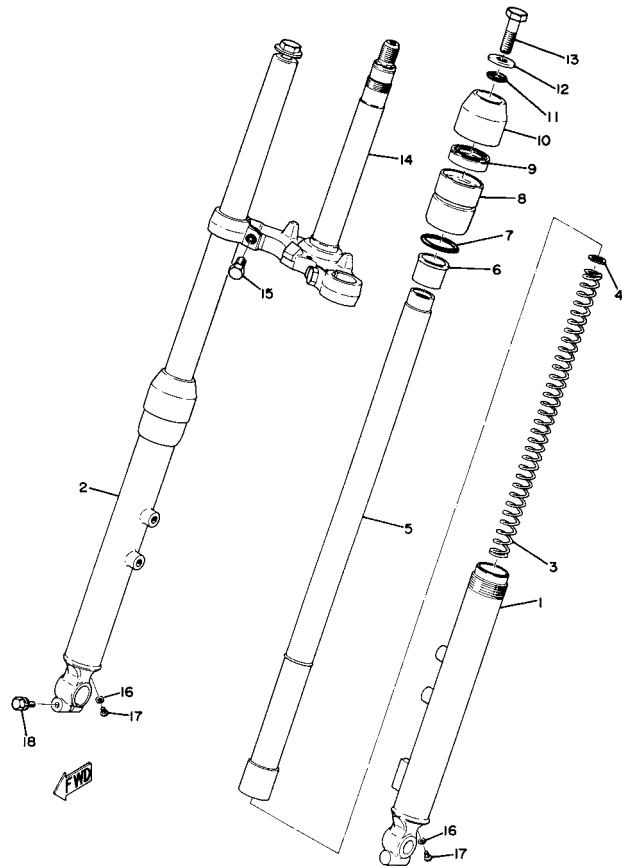
Ref. No.	Part Number	Description	Qty	Remarks
1	240-27400-00-00	NO LONGER AVAILABLE (240-27400-00)	2	
2	240-27413-00-00	. COVER, FOOTREST	2	
3	92990-10100-00	LOCKWASHER	2	
4	(90179-10173-00)	NUT, SPEC''L SHAPE	2	
5	(400-27211-00-91)	PEDAL, BRAKE	1	
6	240-18113-00-00	COVER, SHIFT PEDAL	1	
7	90508-23030-00	SPRING, TORSION	1	
8	97011-06025-00	BOLT (97001-06025)	1	
9	95380-06700-00	NUT	1	
10	(400-26396-00-00)	HOLDER, ADJUSTING	1	
11	90179-08288-00	NUT, SPEC''L SHAPE	1	
12	(400-26351-01-00)	CABLE, BRAKE	1	
13	(90249-06074-00)	PIN, SPEC''L SHAPE	1	
14	93430-04002-00	CIRCLIP	1	
15	90501-09054-00	SPRING, COMPRESSION (294-27236-00)	1	
16	(294-27239-00-00)	SEAT, SPRING	1	
17	(90249-12002-00)	PIN, SPEC''L SHAPE	1	
18	(90179-05149-00)	NUT, SPEC''L SHAPE	1	
19	99009-06600-00	CIRCLIP	3	

FRONT FENDER-REAR FENDER



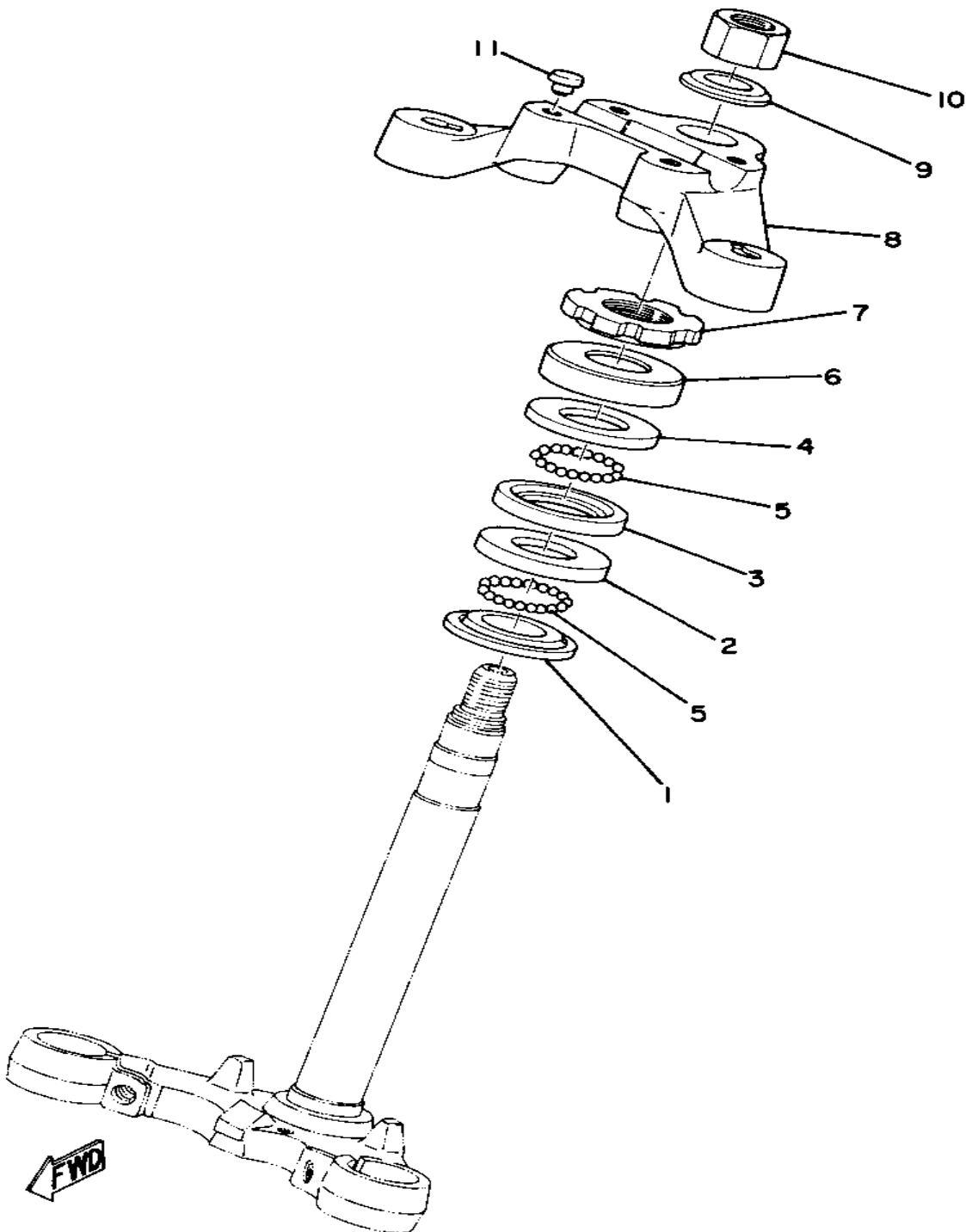
Ref. No.	Part Number	Description	Qty	Remarks
1	(400-21510-00-E1)	FENDER, FRONT	1	CINQUASIA RED
2	(95201-08010-00)	BOLT, FLAT HD.DRILL	4	
3	92990-08100-00	WASHER	4	
4	(400-21610-00-00)	FENDER, REAR	1	
5	95201-06015-00	UNAVAILABLE IN PRICE BOOK	3	
6	92995-06100-00	WASHER, SPRING	3	
7	90201-06038-00	WASHER, PLATE	3	

FRONT FORK



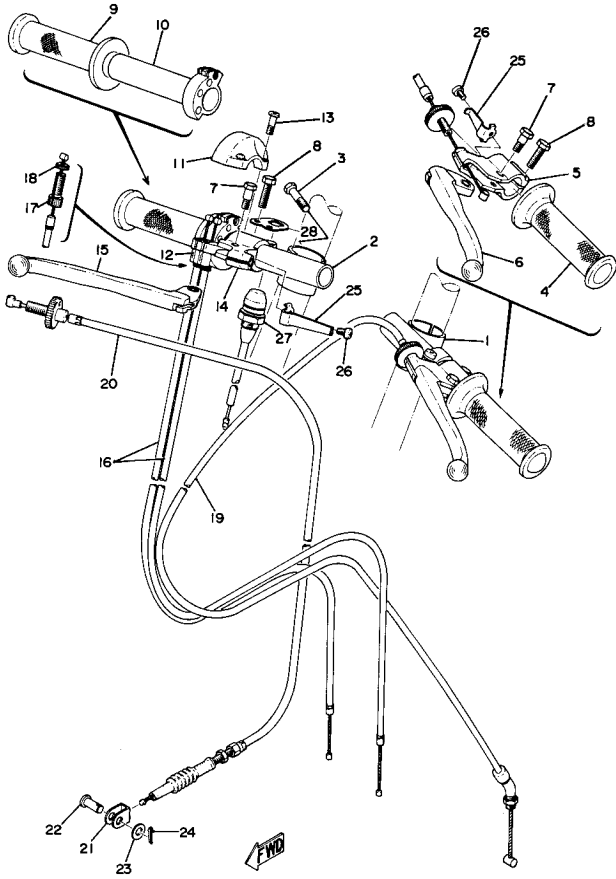
Ref. No.	Part Number	Description	Qty	Remarks
1	(400-23126-00-33)	TUBE, OUTER 1	1	YAMAHA BLACK
2	(400-23136-00-33)	TUBE, OUTER 2	1	YAMAHA BLACK
3	(400-23141-00-00)	SPRING, FRONT FORK	2	
4	(252-23149-00-00)	WASHER, SPRING UPR	2	
5	(400-23124-00-00)	TUBE, INNER 1	2	
6	(164-23125-00-00)	METAL, SLIDE 1	2	
7	(164-23147-00-00)	O-RING	2	
8	(307-23150-01-00)	OUTER NUT	2	
9	307-23145-00-00	. . OIL SEAL	2	
10	(252-23144-00-00)	SEAL, DUST	2	
11	307-23114-00-00	. O-RING	2	
12	(183-23112-00-00)	WASHER, CAP	2	
13	(307-23111-00-00)	BOLT, CAP	2	
14	(400-23340-00-33)	UNDER BRACKET	1	YAMAHA BLACK
15	5J0-23346-00-00	. BOLT 1	2	
16	122-23129-00-00	. GASKET, DRAIN PLUG	2	
17	98580-04008-00	. SCREW, PAN HEAD	2	
18	(90119-08010-00)	BOLT, WITH WASHER	1	
-1	(400-23101-00-00)	FRONT FORK ASSEMBLY	1	

STEERING



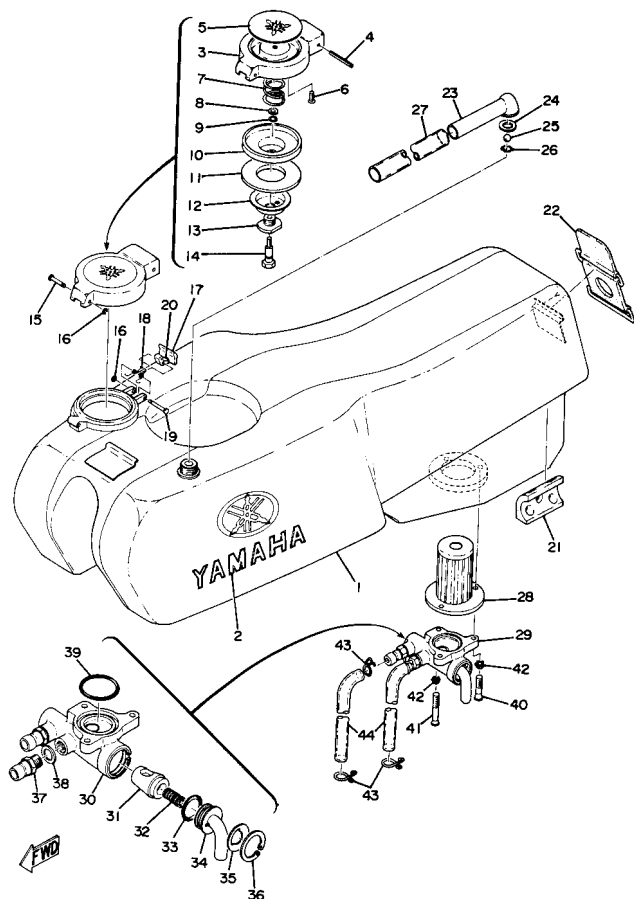
Ref. No.	Part Number	Description	Qty	Remarks
1	156-23411-00-00	RACE, BALL 1	1	
2	156-23412-00-00	RACE, BALL 2	1	
3	183-23412-00-00	RACE, BALL 2	1	
4	183-23411-00-00	RACE, BALL 1	1	
5	93501-04011-00	BALL	38	
6	136-23415-00-00	COVER, BALL RACE 1	1	
7	90179-25033-00	NUT	1	
8	(307-23435-00-98)	CROWN, HANDLE	1	FROSTING BLACK
9	90209-17057-00	WASHER, SPEC'L SHAP	1	
10	95303-16600-00	NUT (95301-16600)	1	
11	90338-07011-00	PLUG, SPEC'L SHAPE	4	

HANDLE-WIRE



Ref. No.	Part Number	Description	Qty	Remarks
1	(307-26121-71-00)	HANDLEBAR LH	1	YAMAHA BLACK
2	(307-26122-71-00)	HANDLEBAR RH	1	YAMAHA BLACK
3	97313-08030-00	BOLT, HEXAGON	2	
4	47X-26241-00-00	GRIP (LEFT)	1	
5	(240-82811-00-00)	HOLDER, LEVER 1	1	
6	150-83912-00-38	LEVER L	1	
7	(90109-06333-00)	BOLT	2	
8	97011-06025-00	BOLT (97001-06025)	4	
9	47X-26242-00-00	GRIP (RIGHT)	1	
10	(400-26243-00-00)	TUBE, THRTL GUIDE	1	
11	256-26281-00-00	CAP, GRIP UPPER	1	
12	(177-26282-01-00)	CAP, GRIP LOWER	1	
13	98501-05030-00	SCREW, PAN HEAD	2	
14	(240-82821-00-00)	HOLDER, LEVER 2	1	
15	(218-83922-30-38)	LEVER R	1	
16	(400-26312-01-00)	CABLE, THROTTLE 2	2	
17	90123-06007-00	BOLT	2	
18	(90179-06114-00)	NUT, SPEC'L SHAPE	2	
19	(400-26335-00-00)	CABLE, CLUTCH	1	
20	(400-26341-00-00)	CABLE, BRAKE	1	
21	156-26347-00-00	JOINT, CABLE	1	
22	90240-08013-00	PIN, CLEVIS	1	
23	90201-08083-00	WASHER, PLATE	2	
24	91490-20020-00	PIN, COTTER	2	
25	5F6-26368-00-00	SPRING, LOCK	2	
26	97601-05108-00	UNAVAILABLE IN PRICE BOOK	2	
27	(328-83976-00-00)	SWITCH, HANDLE 1	1	
28	(294-83974-00-00)	HOLDER, HANDLE SWCH	1	

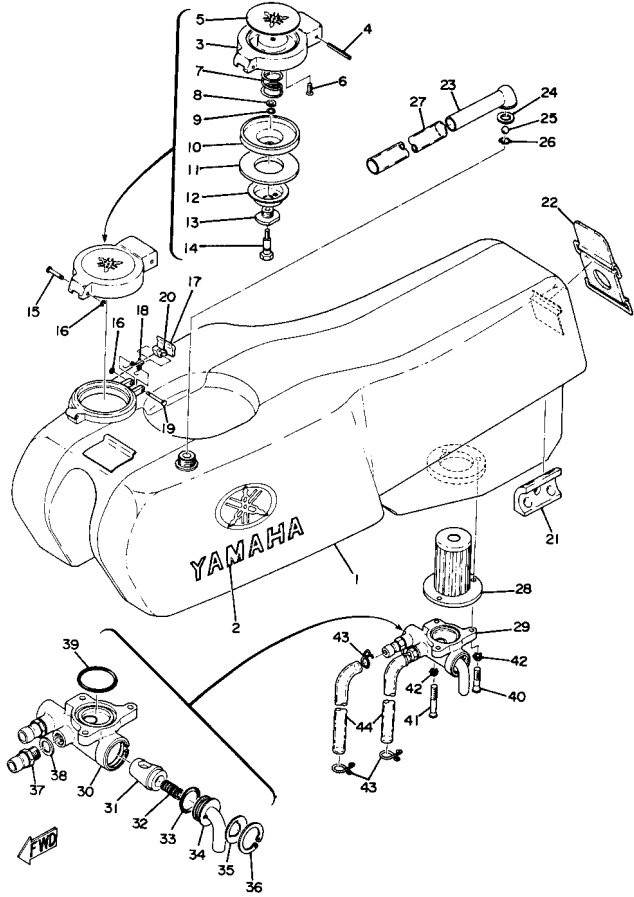
FUEL TANK



Ref. No.	Part Number	Description	Qty	Remarks
1	(400-24110-01-01)	FUEL TANK	1	CINQUASIA RED/WHITE
2	240-24161-00-00	. EMBLEM 1	2	
3	(256-24611-00-00)	BODY, CAP	1	
4	91609-25032-00	PIN, SPRING	1	
5	(256-24614-00-00)	PLATE, CAP	1	
6	98702-03008-00	SCREW, FLAT HEAD	2	
7	90501-20130-00	SPRING, COMPRESSION	1	
8	92901-04600-00	WASHER, PLATE	1	
9	93210-04122-00	O-RING	1	
10	(256-24613-00-00)	DISC, CAP	1	
11	256-24612-00-00	GASKET, CAP	1	
12	256-24615-00-00	GASKET, PLATE 1	1	
13	90109-10352-00	BOLT (256-24626-00)	1	
14	256-24625-00-00	GUIDE, CAP	1	
15	90249-03016-00	PIN, SPEC'L SHAPE	1	
16	93430-02001-00	CIRCLIP	2	
17	256-24628-00-00	HOOK	1	
18	90508-08223-00	SPRING, TORSION (256-24637-00)	1	
19	90249-03016-00	PIN, SPEC'L SHAPE	1	
20	93210-06632-00	O-RING	1	
21	240-24181-00-00	DAMPER, LOCATING 1	6	
22	240-24173-00-00	BAND, TNK FITTING 1	2	
23	143-24681-00-00	NUT, CAP	1	
24	(90430-10028-00)	GASKET	1	
25	143-24684-00-00	BALL	1	
26	143-24685-00-00	CLIP, BALL HOLDER	1	
27	(90446-06007-00)	HOSE	1	

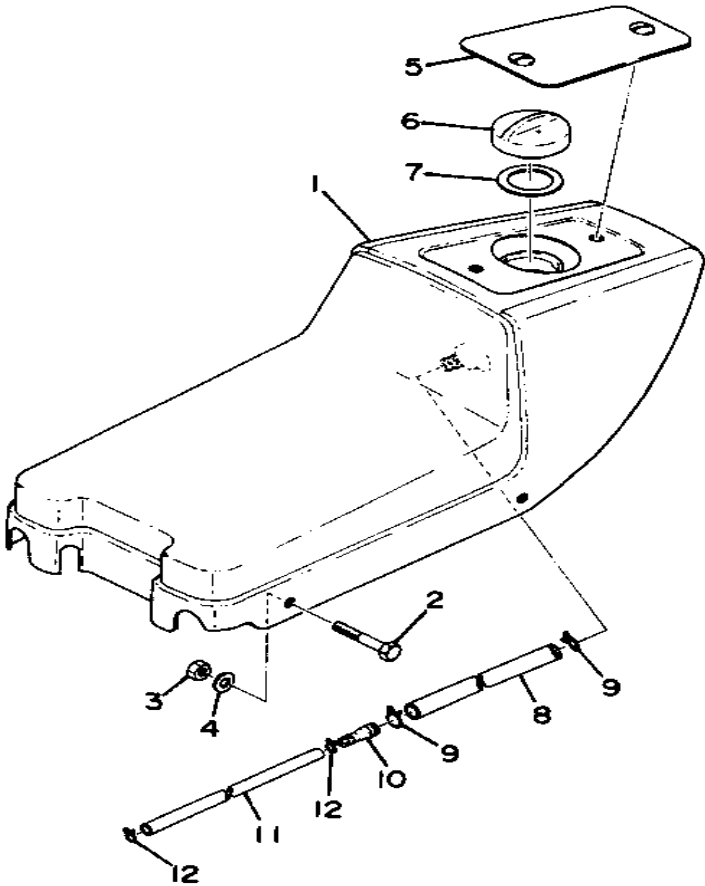
CONTINUED ON NEXT FRAME ►

FUEL TANK



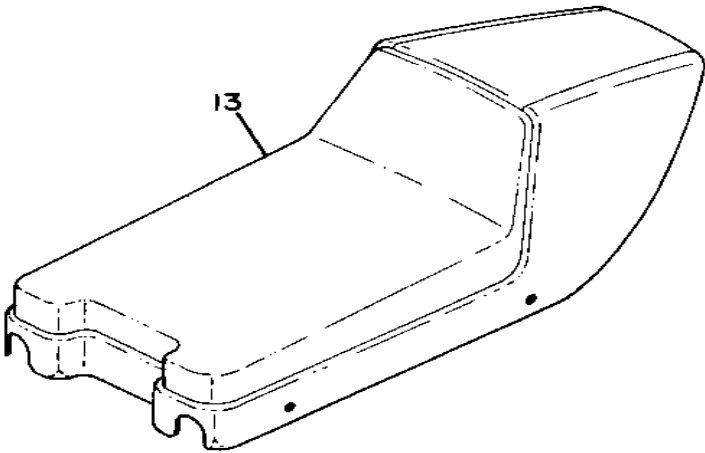
Ref. No.	Part Number	Description	Qty	Remarks
28	(294-24167-00-00)	STRAINER	1	
29	(240-24500-01-00)	FUEL COCK ASSEMBLY 1 ...	1	
30	UNA-VAILA-BL-EI	0 0		
31	UNA-VAILA-BL-EI	0 0		
32	(145-24529-00-00)	SPRING	1	
33	(240-24534-00-00)	SEAL, COCK	1	
34	(240-24524-00-00)	LEVER, COCK	1	
35	(240-24525-00-00)	PLATE, LVR FITTING	1	
36	(240-24544-00-00)	BRACKET, FUEL COCK	1	
37	(240-24537-00-00)	NIPPLE	2	
38	(240-24528-00-00)	GASKET	2	
39	(93210-38146-00)	O-RING	1	
40	98701-04026-00	UNAVAILABLE IN PRICE BOOK	2	
41	(98701-04035-00)	SCREW, FLAT HEAD	1	
42	(92901-04500-00)	WASHER, EX.TOOTH	3	
43	90467-10008-00	CLIP	4	
44	(90446-11044-00)	HOSE	2	

SEAT

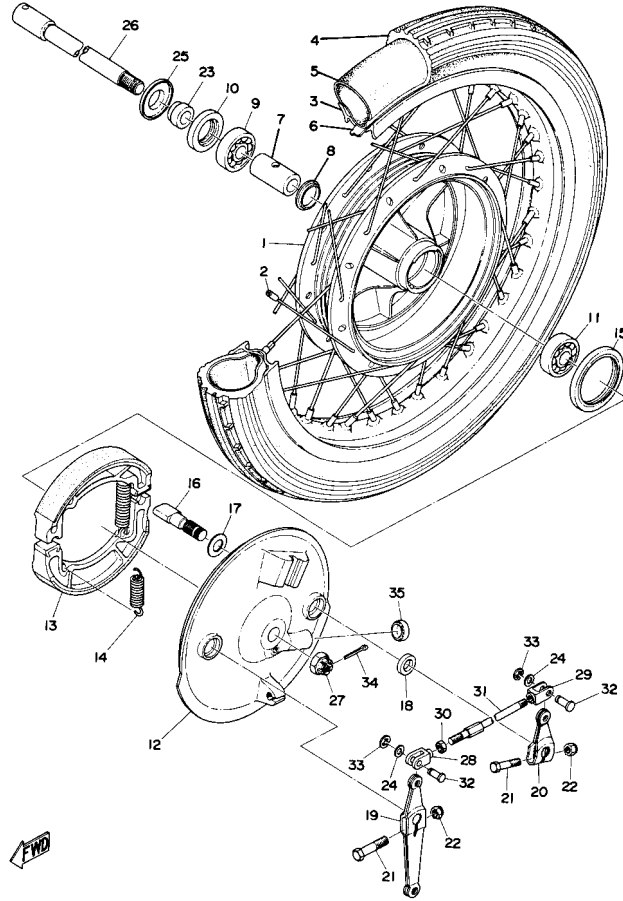


Ref. No.	Part Number	Description	Qty	Remarks
1	(400-24710-11-01)	SINGLE SEAT ASSEMBLY ...	1	CINQUASIA RED/WHITE
2	(95201-06040-00)	BOLT, FLAT HD.DRILL	4	
3	95701-06300-00	NUT, NYLON	4	
4	90201-06038-00	WASHER, PLATE	4	
5	(240-24732-00-00)	PLATE	1	
6	(240-21770-01-00)	OIL TANK CAP ASSEMBLY ...	1	
7	(90430-25049-00)	GASKET	1	
8	90445-11153-00	HOSE	1	
9	90467-10008-00	CLIP	2	
10	(240-21743-00-00)	CONNECTOR, OIL PUMP	1	
11	90445-09361-00	HOSE	1	
12	90467-08003-00	CLIP	2	
13	(400-24710-00-01)	SINGLE SEAT ASSEMBLY ...	1	NO OIL TANK

ALTERNATE PARTS



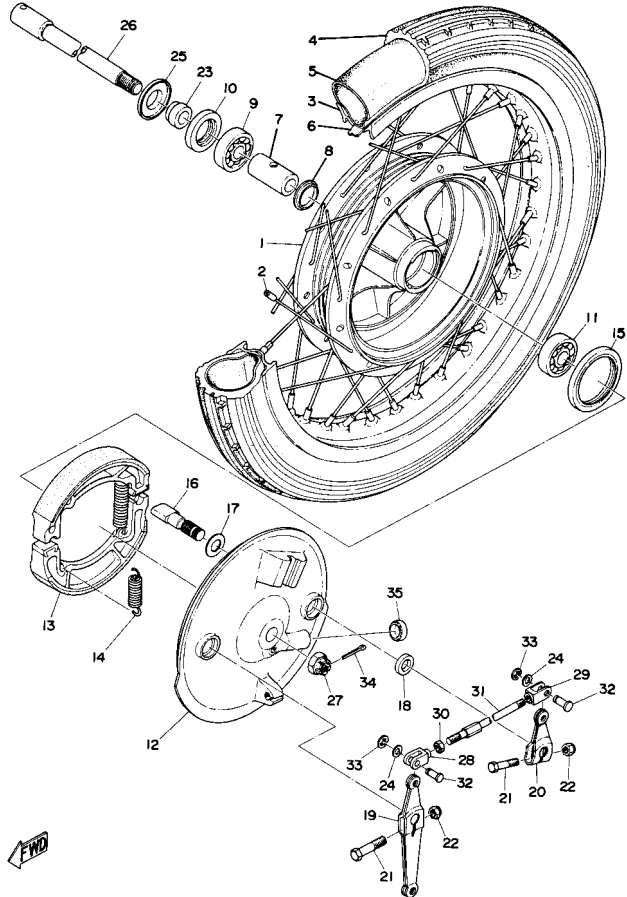
FRONT WHEEL



Ref. No.	Part Number	Description	Qty	Remarks
1	(246-25111-00-38)	HUB, FRONT	1	
2	(400-25104-00-00)	SPOKE SET, FRONT	1	
3	(94416-18110-00)	RIM 1.60X 8	1	
4	(94125-18110-00)	250X18 YOKOHAMA	1	
5	94225-18194-00	TUBE (2.50-18)	1	
6	94325-18043-00	BAND, RIM	1	
7	90560-15136-00	SPACER (136-25317-00)	1	
8	146-25115-00-00	FLANGE, SPACER 1	1	
9	93306-30202-00	BEARING	1	
10	93102-22014-00	OIL SEAL	1	
11	93306-30202-00	BEARING	1	
12	(337-25121-00-00)	PLATE, BRAKE SHOE	1	
13	168-W2535-00-00	BRAKESHOE SET-2PCS	2	
14	90507-20002-00	SPRING, TENSION	2	
15	93105-53013-00	OIL SEAL, SDD-TYPE	1	
16	(4R5-25151-00-00)	CAMSHAFT	2	
17	148-25353-00-00	SHIM, CAMSHAFT	2	
18	148-25359-00-00	SEAL, CAMSHAFT	2	
19	(337-25155-00-00)	LEVER, CAMSHAFT 1	1	
20	(337-25156-00-00)	LEVER, CAMSHAFT 2	1	
21	(95201-06030-00)	BOLT, FLAT HD.DRILL	2	
22	95701-06300-00	NUT, NYLON	2	
23	(90387-15421-00)	COLLAR	1	
24	90201-06038-00	WASHER, PLATE	1	
25	(246-25118-00-00)	COVER, HUB DUST	1	
26	(246-25181-00-00)	AXLE, WHEEL	1	
27	90171-14020-00	NUT, CASTLE	1	
28	152-25163-00-00	END, ROD 1	1	
29	152-25164-00-00	END, ROD 2	1	

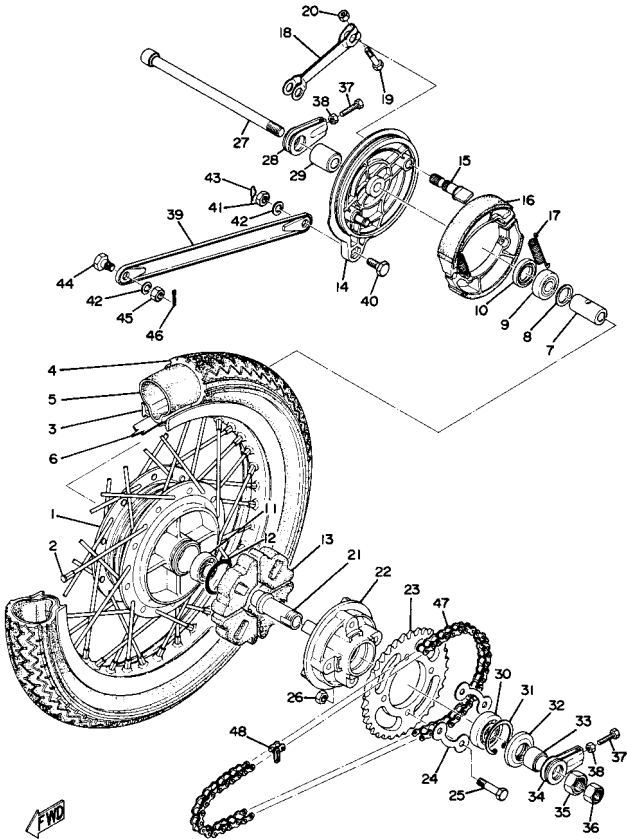
CONTINUED ON NEXT FRAME ➤

FRONT WHEEL



Ref. No.	Part Number	Description	Qty	Remarks
30	95380-06700-00	NUT	1	
31	(152-25161-00-00)	ROD, CONNECTING	1	
32	90249-06095-00	PIN, SPEC'L SHAPE	2	
33	99080-04600-00	CIRCLIP (E)	2	
34	91401-30030-00	PIN, COTTER	1	
35	90338-18014-00	PLUG	1	

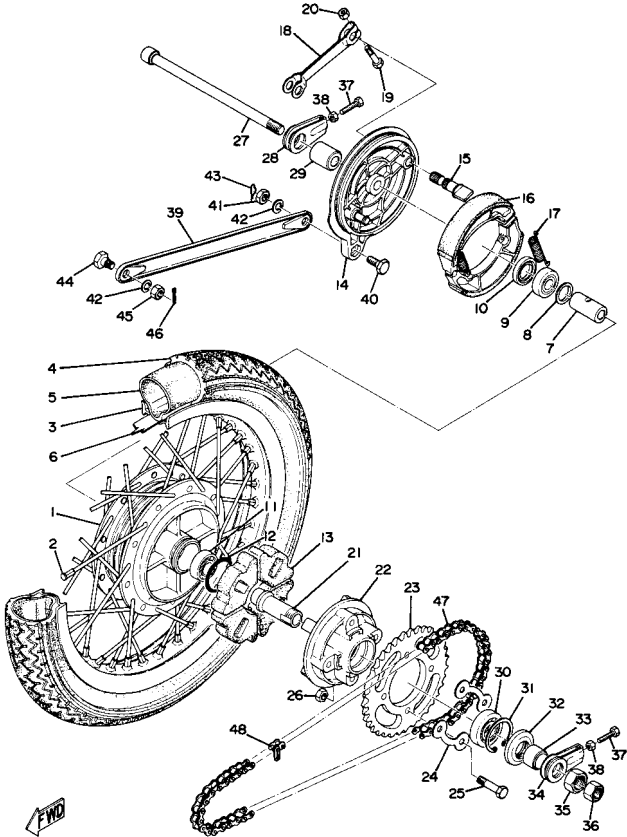
REAR WHEEL



Ref. No.	Part Number	Description	Qty	Remarks
1	183-25311-00-38	HUB, REAR	1	
2	(400-25304-00-00)	SPOKE SET, REAR	1	
3	(94416-18018-00)	RIM 1.60X 8	1	
4	(94125-18111-00)	250X18 YOKOHAMA	1	
5	94225-18194-00	TUBE (2.50-18)	1	
6	94325-18043-00	BAND, RIM	1	
7	90560-15136-00	SPACER (136-25317-00)	1	
8	146-25116-00-00	FLANGE, SPACER 2	1	
9	93306-20211-00	BEARING (6202SH2-C3)	1	
10	93104-22018-00	OIL SEAL	1	
11	93306-20204-00	BEARING (B6202Z)	1	
12	93210-42101-00	O-RING	4	
13	304-25364-01-00	DAMPER	4	
14	(507-25320-10-00)	BRAKE SHOE PLT ASSEMBLY	1	
15	(183-25351-00-00)	CAMSHAFT	1	
16	183-W2536-00-00	BRAKE SHOE SET	2	
17	90506-17328-00	SPRING, TENSION	2	
18	(400-25355-00-00)	LEVER, CAMSHAFT	1	
19	90101-06288-00	BOLT	1	
20	95380-06600-00	NUT	1	
21	183-25387-00-00	AXLE, SPROCKET	1	
22	58K-25366-00-00	CLUTCH, HUB	1	
23	(183-25434-10-33)	SPROCKET, DRIVN 34T	1	U.R.
	183-25435-39-00	SPROCKET, DRIVN 35TWHEEL (35T)	1	U.R.
	183-25436-39-00	SPROCKET, DRVN 36T (36T) (183-25436-10-33)	1	U.R. STD
	183-25437-20-00	SPROCKET, DRVN 37T	1	U.R.
	183-25438-10-33	SPROCKET, DRIVN 38T	1	U.R.

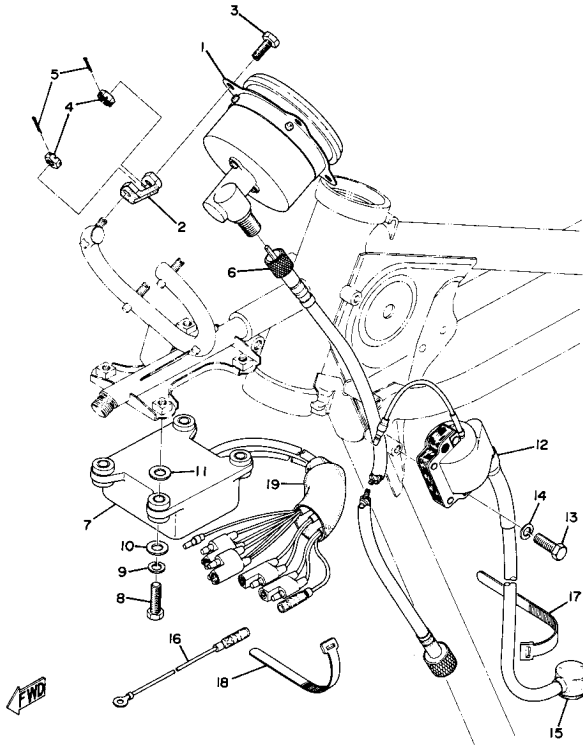
CONTINUED ON NEXT FRAME ►

REAR WHEEL



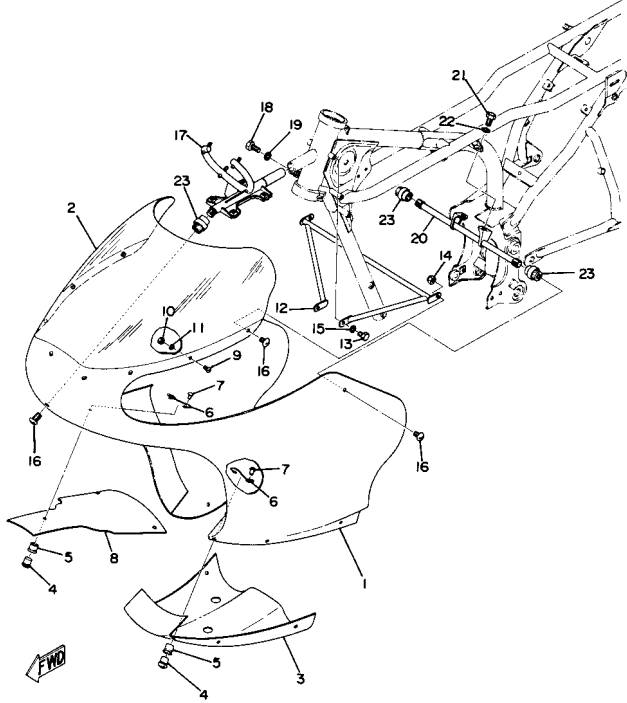
Ref. No.	Part Number	Description	Qty	Remarks
24	102-25412-00-00	WASHER	2	
25	90101-08672-00	BOLT	4	
26	95333-08600-00	NUT, HEXAGON	4	
27	382-25381-00-00	AXLE, WHEEL	1	
28	248-25388-00-00	PULLER, CHAIN 1	1	
29	90387-15425-00	COLLAR	1	
30	93306-00406-00	BEARING (B6004Z)	1	
31	93420-42007-00	CIRCLIP (R-27)	1	
32	93106-26005-00	OIL SEAL	1	
33	90387-20165-00	COLLAR	1	
34	214-25388-00-00	PULLER, CHAIN 1	1	
35	90170-20167-00	NUT, HEXAGON (137-25385-00)	1	
36	(95301-14200-00)	NUT, DRILLED	1	
37	90101-08699-00	BOLT	2	
38	95303-08700-00	NUT	2	
39	(400-25371-00-00)	BAR, TENSION	1	
40	90109-08063-00	BOLT	1	
41	95303-08700-00	NUT	1	
42	92990-08100-00	WASHER	2	
43	90468-10050-00	CLIP	1	
44	90109-08368-00	BOLT	1	
45	95333-08600-00	NUT, HEXAGON	1	
46	91490-20020-00	PIN, COTTER	1	
47	94514-28110-00	UNAVAILABLE IN PRICE BOOK	1	
48	(94680-06031-00)	CHAIN JOINT	1	

TACHOMETER-ELECTRICAL



Ref. No.	Part Number	Description	Qty	Remarks
1	(307-83540-70-00)	TACHOMETER ASSEMBLY ...	1	
2	143-83543-00-00	DAMPER, BRACKET	4	
3	(90102-05012-00)	BOLT, WITH HOLE	4	
4	95301-05900-00	NUT, SLOTTED	8	
5	91401-10015-00	PIN, COTTER	8	
6	(400-83560-00-00)	TACHOMETER CABLE	1	
7	328-85540-10-00	CDI UNIT ASSEMBLY	1	
8	97011-06025-00	BOLT (97001-06025)	4	
9	92995-06100-00	WASHER, SPRING	4	
10	90201-06038-00	WASHER, PLATE	4	
11	90201-06M08-00	WASHER, PLATE	4	
12	328-82310-60-00	NO LONGER AVAILABLE	2	
13	97023-06020-00	BOLT (3XF)	4	
14	92995-06100-00	WASHER, SPRING	4	
15	294-82370-00-00	PLUG CAP ASSEMBLY	2	
16	307-82116-00-00	WIRE, MINUS LEAD	1	
17	437-83936-01-00	BAND, SWITCH CORD	4	
18	25G-83936-01-00	BAND, SWITCH CORD	1	
19	(214-82599-00-00)	COVER, CONNECTER	1	

COWLING



Ref. No.	Part Number	Description	Qty	Remarks
1	(ACC-11110-71-00)	FAIRING TA1 5	1	
2	(ACC-11110-72-00)	WINDSCREEN TA1 5	1	
3	400-28385-00-00	. UNAVAILABLE IN PRICE BOOK	1	
4	240-28386-00-00	. HEAD	9	
5	240-28389-00-00	. RIVET	9	
6	(240-28388-00-00)	SPRING	9	
7	(90260-02002-00)	RIVET, ROUND HEAD	22	
8	400-28384-00-00	. UNAVAILABLE IN PRICE BOOK	1	
9	90140-04012-00	SCREW, ROUND HEAD	7	
10	(95302-04600-00)	NUT	7	
11	92901-04100-00	WASHER, SPRING	7	
12	(400-28357-00-33)	STAY 2	1	YAMAHA BLACK
13	97011-06010-00	BOLT	2	
14	95701-06300-00	NUT, NYLON	2	
15	92995-06100-00	WASHER, SPRING	2	
16	90140-06010-00	SCREW, ROUND HEAD (143-28353-00)	5	
17	(400-28356-00-33)	STAY 1	1	YAMAHA BLACK
18	97313-08020-00	BOLT, HEXAGON	1	
19	92990-08100-00	WASHER	1	
20	(400-28358-00-33)	STAY 3	1	YAMAHA BLACK
21	97313-08018-00	BOLT, HEXAGON (97301-08016)	2	
22	92990-08100-00	WASHER	2	
23	240-28371-00-33	DAMPER	3	YAMAHA BLACK