

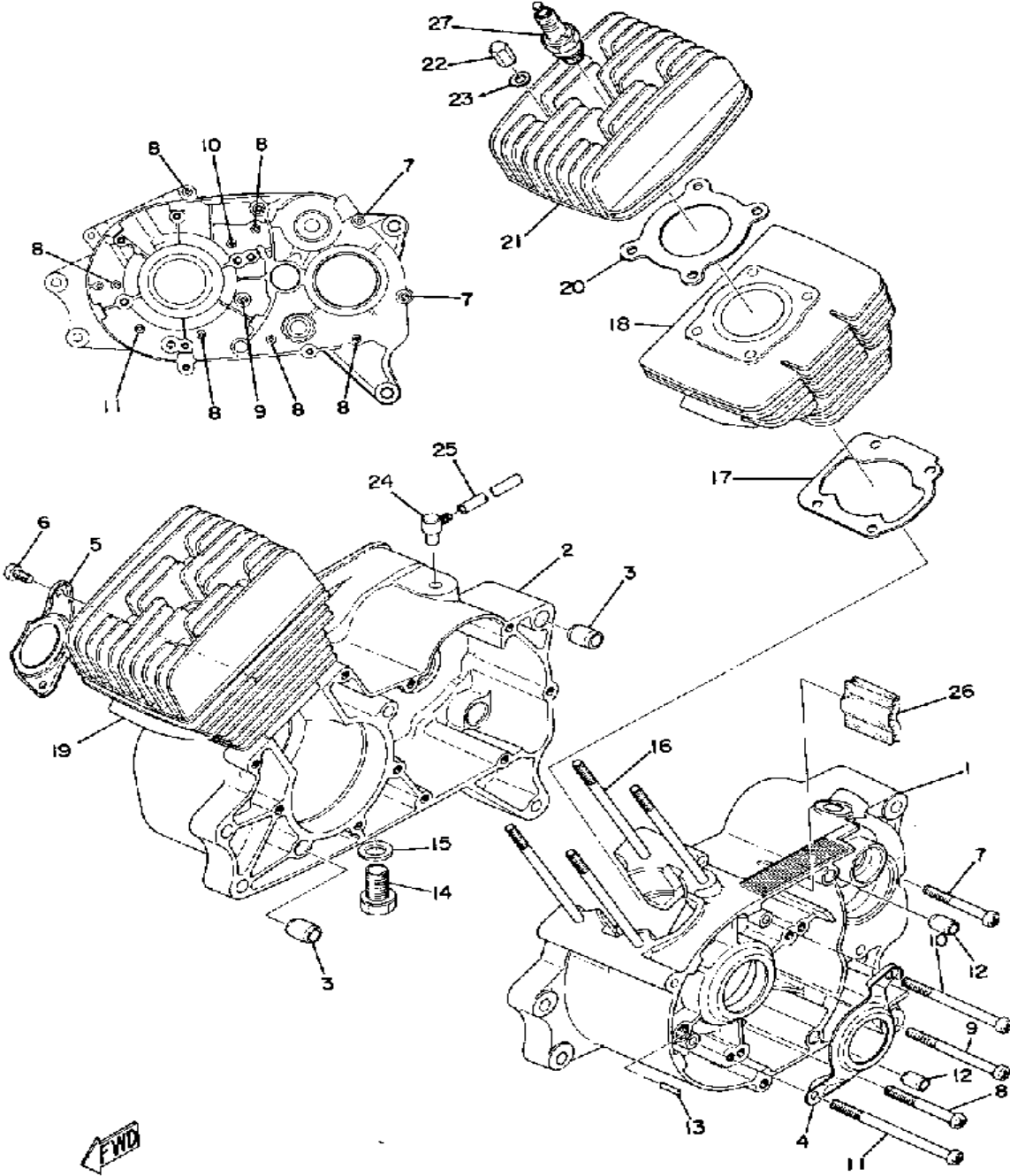
**YAMAHA**

**GENUINE**

**PARTS CATALOGUE**

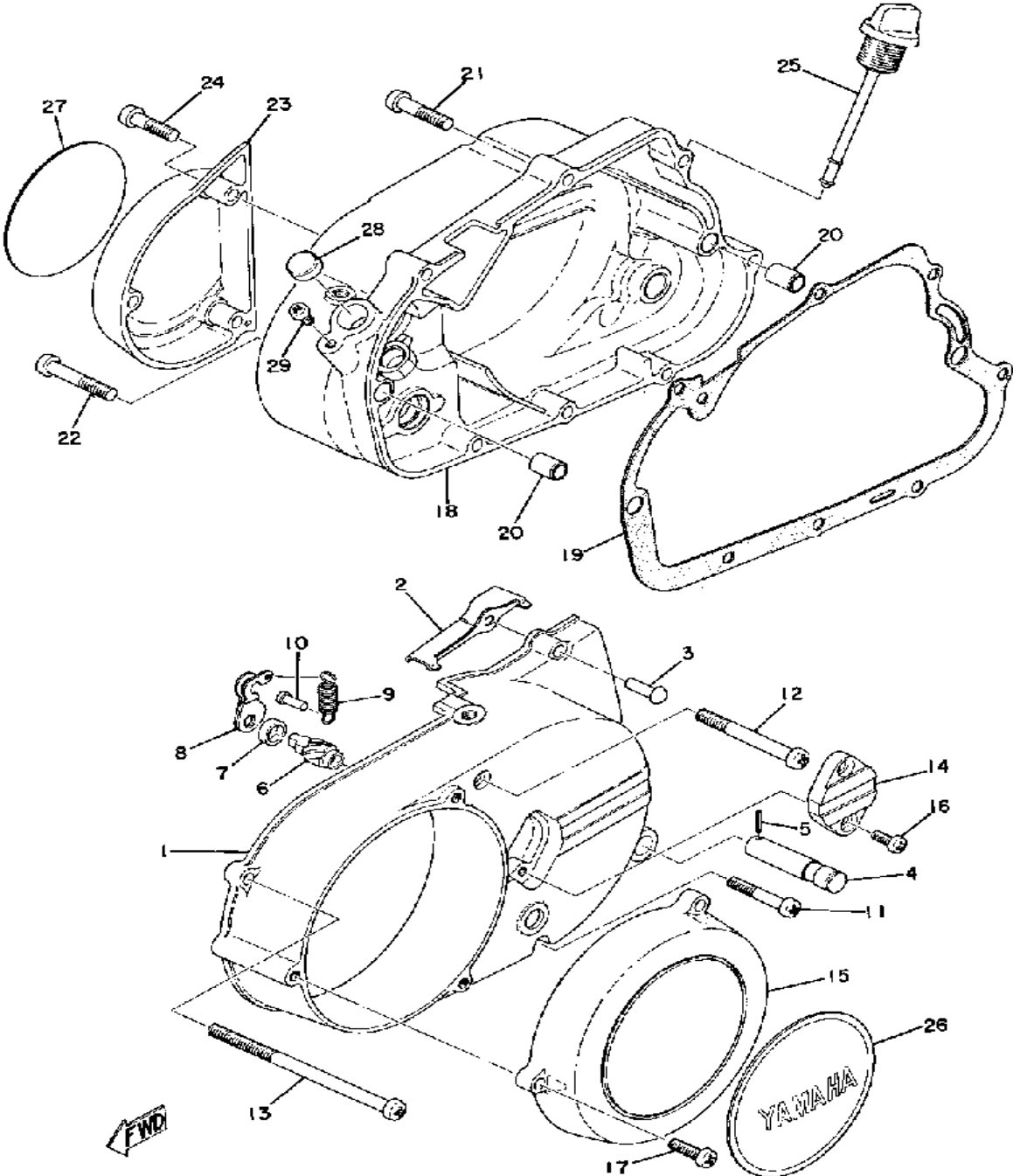
**MOTORCYCLE**

# CRANKCASE - CYLINDER



Ref. No.	Part Number	Description	Qty	Remarks
1	(389-15111-00-00)	CRANKCASE 1	1	
2	(389-15121-00-00)	CRANKCASE 2	1	
3	99510-12016-00	PIN, DOWEL	2	
4	(389-15128-00-00)	HOLDER	1	
5	(389-15118-00-00)	HOLDER	1	
6	98580-06012-00	SCREW, PAN HEAD	2	
7	98580-06055-00	SCREW, pan head (92501-06065-00)	2	
8	92580-06560-00	SCREW PAN HEAD	6	
9	98580-06580-00	SCREW, PAN HEAD (98501-06080-00)	1	
10	98501-06095-00	SCREW, PAN HEAD	1	
11	(92501-06105-00)	SCREW, PAN HEAD	1	
12	99530-10014-00	PIN, DOWEL	2	
13	93603-14026-00	PIN, DOWEL	1	
14	90340-12005-00	PLUG, DRAIN	1	
15	90430-12207-00	GASKET	1	
16	90116-06100-00	BOLT, STUD	8	
17	396-11351-00-00	GASKET, CYLINDER	2	
18	(396-11311-03-00)	CYLINDER 1	1	
19	(396-11321-03-00)	CYLINDER 2	1	
20	183-11181-00-00	GASKET, CYLINDER HEAD 1	2	
21	(396-11111-01-00)	HEAD, CYLINDER 1	2	
22	90176-06002-00	NUT, CROWN	8	
23	90201-06038-00	WASHER, PLATE	8	
24	583-15371-00-00	BREATHER	1	
25	90446-07241-00	HOSE (3AK)	1	
26	(241-15357-01-00)	GROMMET	1	
27	NGK-B8HS0-00-00	PLUG, SPARK	2	

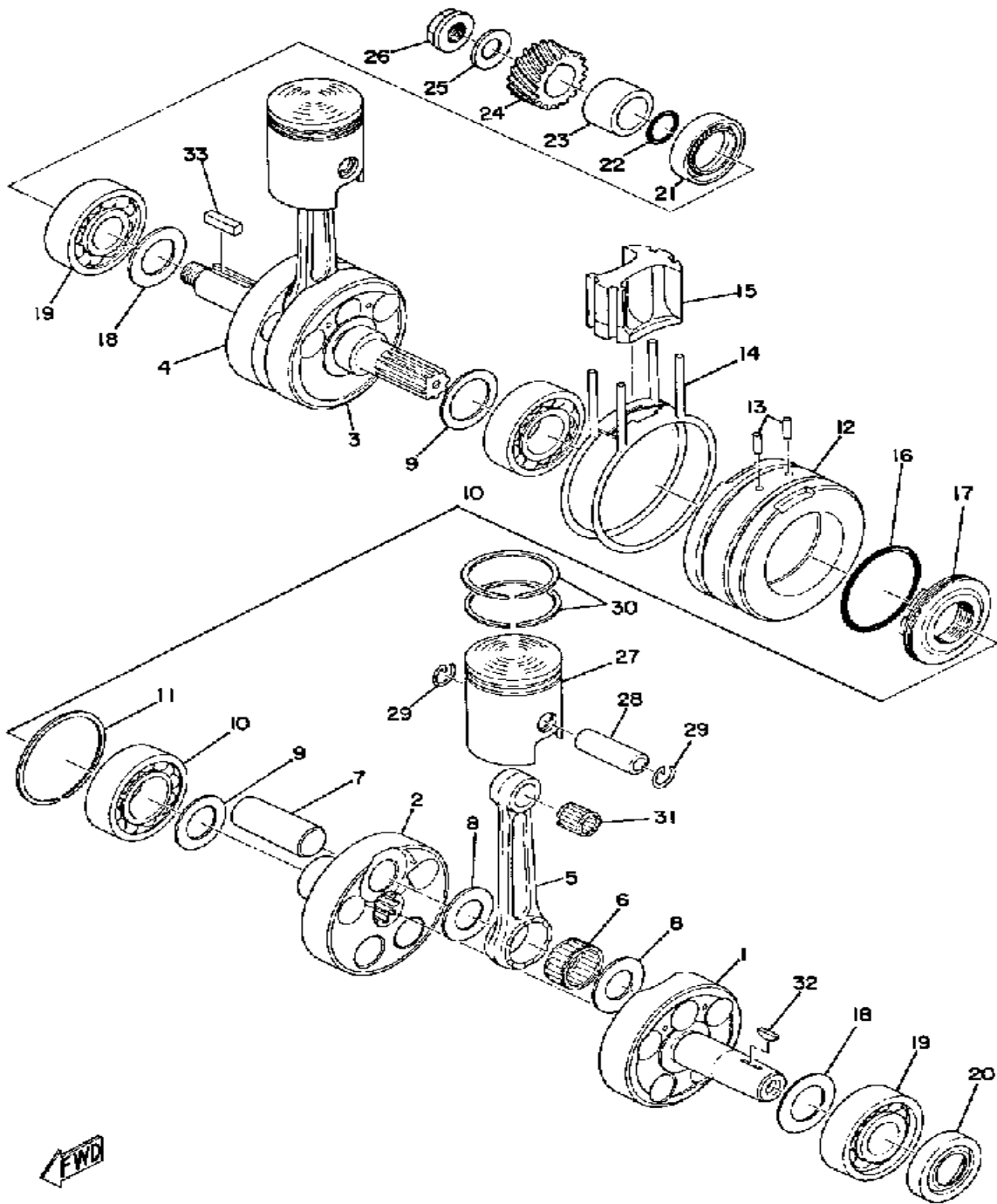
# CRANKCASE COVER



Ref. No.	Part Number	Description	Qty	Remarks
1	(396-15410-00-00)	CRCS COVER ASSEMBLY L	1	
2	(183-15418-01-00)	COVER, CHAIN CASE	1	
3	(90266-06005-00)	RIVET	1	
4	(307-18188-00-00)	AXLE, PAWL HOLDER	1	
5	91690-30014-00	. PIN, SPRING	1	
6	241-16341-01-00	. SCREW, PUSH	1	
7	93104-10085-00	. OIL SEAL, SO-TYPE	1	
8	241-16342-00-00	. LEVER, PUSH	1	
9	90506-10019-00	. SPRING, TENSION	1	
10	132-16346-00-00	. HOOK, SPRING	1	
11	98506-06035-00	SCREW, PAN HEAD	2	
12	98506-06060-00	SCREW, PAN HEAD	1	
13	92506-06120-00	SCREW, PAN HEAD	1	
14	(396-15417-00-00)	COVER, CAP	1	
15	(389-15415-00-00)	COVER, GENERATOR	1	
16	98516-05012-00	SCREW, PAN HEAD 4CG	2	
17	98516-06020-00	SCREW, PAN HEAD	3	
18	(396-15421-00-00)	COVER, CRANKCASE R	1	
19	252-15451-00-00	GASKET, CRCS COVER	1	
20	99530-10014-00	PIN, DOWEL	2	
21	98516-06030-00	SCREW, PAN HEAD	7	
22	98506-06040-00	SCREW, PAN HEAD	1	
23	(389-15416-00-00)	COVER, OIL PUMP	1	
24	98506-06035-00	SCREW, PAN HEAD	3	
25	(307-15363-00-00)	PLUG, OIL	1	
26	(389-15426-00-00)	COVER, OIL PUMP R	1	
27	(389-15426-00-00)	COVER, OIL PUMP R	1	
28	90338-16015-00	PLUG, BLIND (168-17481-00)	1	
29	98580-06010-00	SCREW, PAN HEAD (92503-06010)	1	

CONTINUED ON NEXT FRAME ►

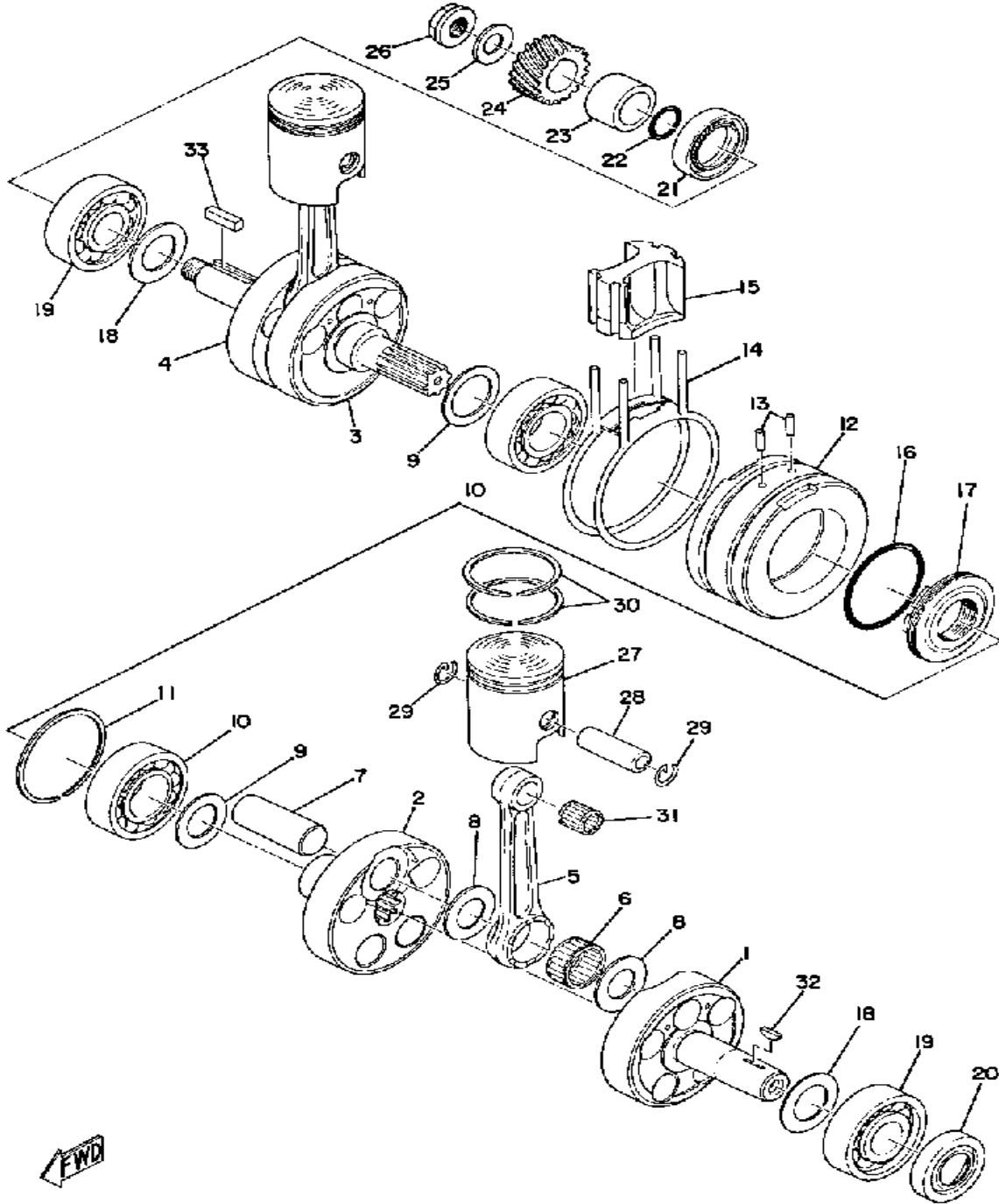
# CRANK PISTON



Ref. No.	Part Number	Description	Qty	Remarks
1	(183-11412-03-00)	CRANK 1	1	
2	132-11400-00-00	. NO LONGER AVAILABLE	1	
3	(132-11432-03-00)	CRANK 3	1	
4	(389-11442-00-00)	CRANK 4	1	
5	1E7-11651-00-00	. ROD, CONNECTING	2	
6	93310-418T0-00	. BERING, CYLINDRICAL	2	
7	3R1-11681-00-00	. PIN, CRANK 1	2	
8	90209-18112-00	. WASHER, SPEC'L SHAP	4	
9	132-11561-00-03	. SHIM, CRANK 1	2	
10	93306-20529-00	. BEARING (B6205C4)	2	
11	93450-52010-00	. CIRCLIP	1	
12	(132-11511-02-00)	COVER, CRANK	1	
13	93604-18058-00	. PIN, DOWEL	2	
14	183-11512-00-00	. SEAL, CRANK COVER	2	
15	(307-11541-00-00)	METAL, FILLER	1	
16	93210-48045-00	. O-RING	1	
17	132-11515-01-00	. SEAL, LABYRINTH 1	1	
18	136-11561-00-03	SHIM, CRANK 1	2	U.R.
	136-11561-00-04	SHIM, CRANK 1	2	U.R.
	136-11561-00-05	SHIM, CRANK 1	2	U.R.
	136-11561-00-06	SHIM, CRANK 1	2	U.R.
	136-11561-00-07	SHIM, CRANK 1	2	U.R.
	136-11561-00-08	SHIM, CRANK 1	2	U.R.
19	93306-30421-00	BEARING (B6304C3)	2	
20	93102-20117-00	OIL SEAL, SD-TYPE	1	
21	93103-28011-00	OIL SEAL	1	
22	93210-180A6-00	O-RING	1	
23	90387-20163-00	COLLAR	1	
24	(389-16111-00-00)	GEAR, PRI DRIVE	1	

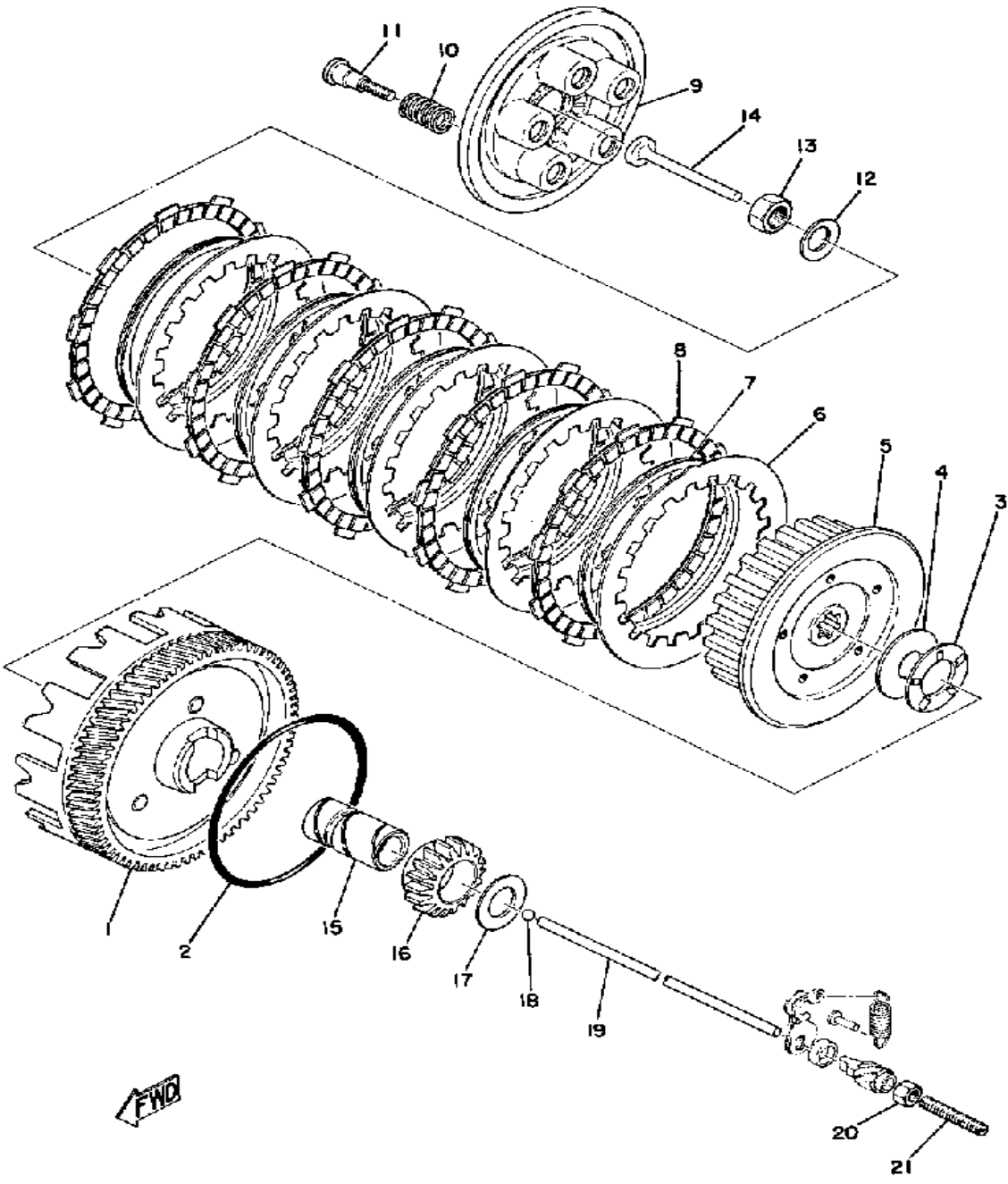
CONTINUED ON NEXT FRAME ►

# CRANK PISTON



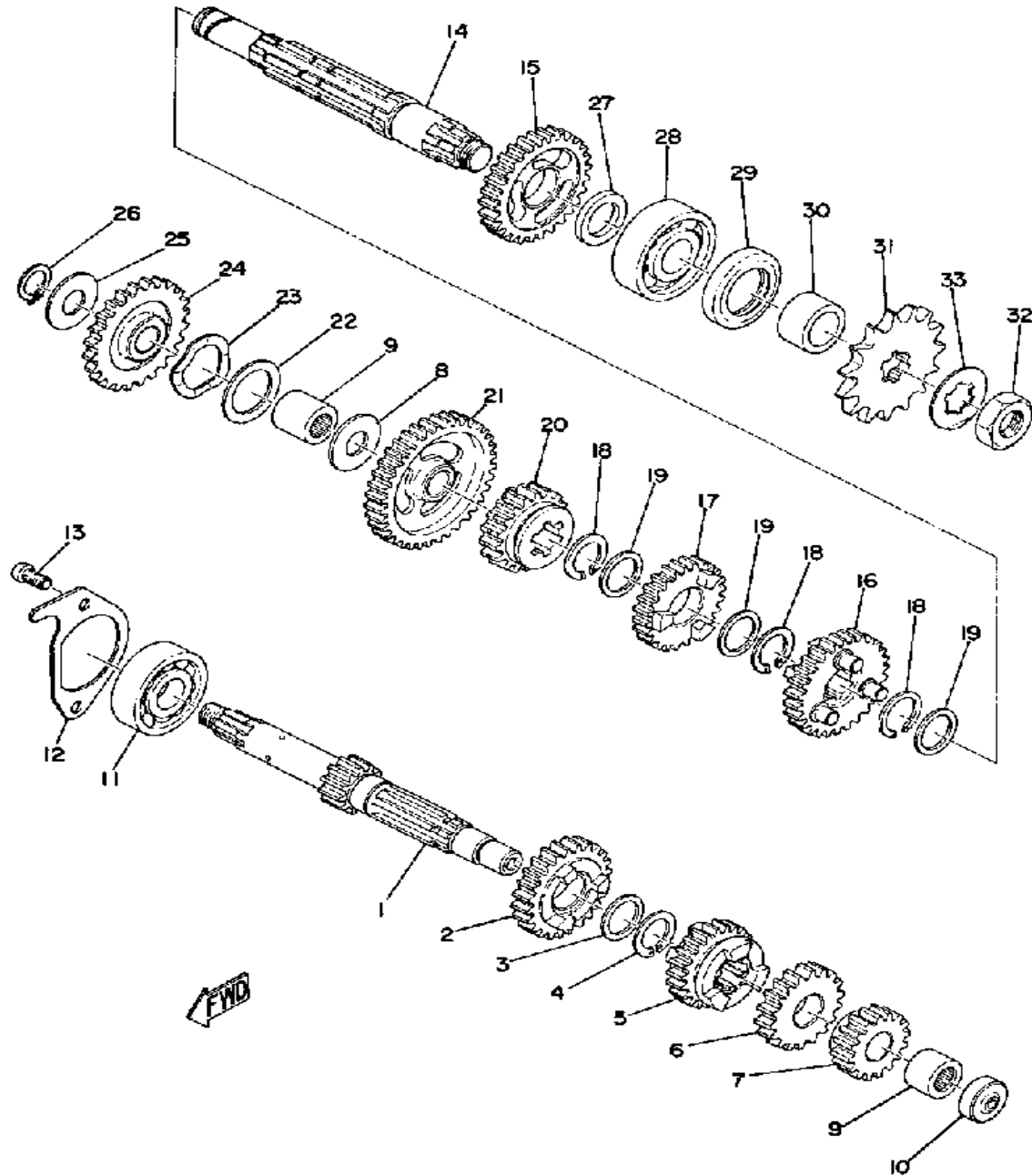
Ref. No.	Part Number	Description	Qty	Remarks
25	90208-12015-00	WASHER, CONICAL SPRING ..	1	
26	90179-12244-00	NUT, SPEC'L SHAPE .....	1	
27	466-11631-01-97	PISTON STD .....	2	
	466-11635-01-00	PISTON 1 O/S 0.5 .....	2	ALTERNATE PART
	466-11636-01-00	PISTON 2 O/S 0.0 .....	2	ALTERNATE PART
28	183-11633-01-00	PIN, PISTON .....	2	
29	93450-13022-00	CIRCLIP .....	4	
30	307-11601-01-00	PISTON RINGSET STD .....	2	
	307-11601-11-00	PISTON RINGSET 1ST .....	2	ALTERNATE PART
	307-11601-21-00	PISTON RINGSET 2ND .....	2	ALTERNATE PART
31	93310-11296-00	BEARING, CYLINDER.# 0 ....	2	
32	90280-03017-00	KEY, WOODRUFF .....	1	
33	90282-05005-00	KEY, STRAIGHT .....	1	
-1	(416-11400-00-00)	CRANKSHAFT ASSEMBLY ...	1	
-2	(466-11630-20-00)	PISTON KIT 2ND .....	2	
	466-11630-00-00	PISTON KIT STD .....	2	REF. NO.
	466-11630-10-00	PISTON KIT 1ST .....	2	30

# CLUTCH



Ref. No.	Part Number	Description	Qty	Remarks
1	(307-16150-00-00)	PRI DRVN GEAR	1	
2	132-16369-00-00	. RING, FRICTION	1	
3	93341-22302-00	. BEARING	1	
4	131-16154-00-00	. PLATE, THRUST 1	1	
5	132-16371-02-00	. BOSS, CLUTCH	1	
6	336-16324-00-00	. PLATE, CLUTCH 1 (13716-32400-00)	5	
7	307-16367-00-00	. RING, CUSHION	5	
8	307-16321-01-00	. PLATE, FRICTION	5	
9	132-16351-00-00	. PLATE, PRESSURE 1	1	
10	90501-20125-00	. SPRING, COMPRESSION	5	
11	(90149-05147-00)	SCREW, SPECL SHAPE	5	
12	90208-12015-00	WASHER, CONICAL SPRING	1	
13	90179-12244-00	NUT, SPEC'L SHAPE	1	
14	137-16356-00-00	ROD, PUSH 1	1	
15	(90560-17158-00)	SPACER	1	
16	(132-15631-00-00)	GEAR, KICK PINION	1	
17	122-16164-00-00	PLATE, THRUST 2	1	
18	93501-04011-00	BALL	1	
19	307-16357-00-00	ROD, PUSH 2	1	
20	95380-06700-00	NUT	1	
21	90113-06013-00	BOLT, SET	1	
-1	(307-16301-00-00)	CLUTCH ASSEMBLY	1	

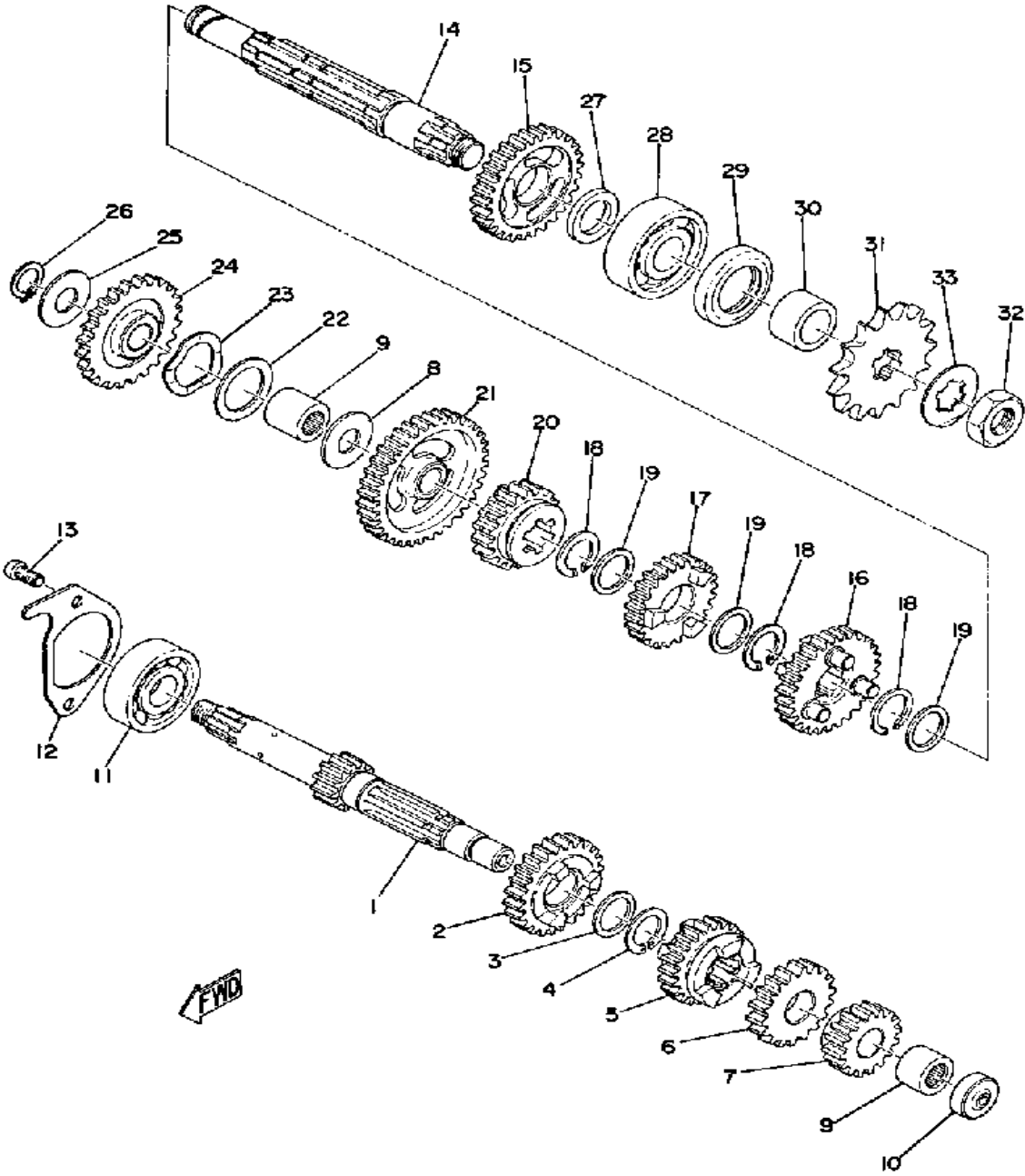
# TRANSMISSION



Ref. No.	Part Number	Description	Qty	Remarks
1	(183-17411-00-00)	AXLE, MAIN	1	
2	(183-17151-00-00)	GEAR, 5TH PINION	1	
3	90201-20266-00	WASHER, PLATE (1.0T)	1	
4	93410-20038-00	CIRCLIP	1	
5	(307-17141-00-00)	GEAR, 4TH PINION	1	
	UNA-VAILA-BL-E	IN PRICE BOOK	1	
7	(183-17121-01-00)	GEAR, 2ND PINION	1	
8	164-17427-00-06	SHIM 1 (0.6T)	1	U.R.
9	93315-31502-00	BEARING	2	
10	93109-06060-00	SEAL, PUSH ROD	1	
11	93306-30309-00	BEARING	1	
12	(307-17471-00-00)	PLATE, COVER	1	
13	98580-06012-00	SCREW, PAN HEAD	2	
14	(183-17421-00-00)	AXLE, DRIVE	1	
15	(307-17221-01-00)	GEAR, 2ND WHEEL	1	
16	(307-17231-00-00)	GEAR, 3RD WHEEL	1	
17	(307-17241-00-00)	GEAR, 4TH WHEEL	1	
18	93410-20038-00	CIRCLIP	3	
19	90201-20266-00	WASHER, PLATE (1.0T)	3	
20	(183-17251-00-00)	GEAR, 5TH WHEEL	1	
21	(307-17211-01-00)	GEAR, 1ST WHEEL	1	
22	90201-256K6-00	WASHER, PLATE (0.9T)	1	
23	(131-15643-00-00)	WASHER, WAVE	1	
24	(183-15651-00-00)	GEAR, KICK IDLE	1	
25	164-17427-00-06	SHIM 1 (0.6T)	1	U.R.
26	99009-15400-00	CIRCLIP	1	
27	90560-20038-00	SPACER	1	
28	93306-30421-00	BEARING (B6304C3)	1	
29	93102-28021-00	OIL SEAL	1	

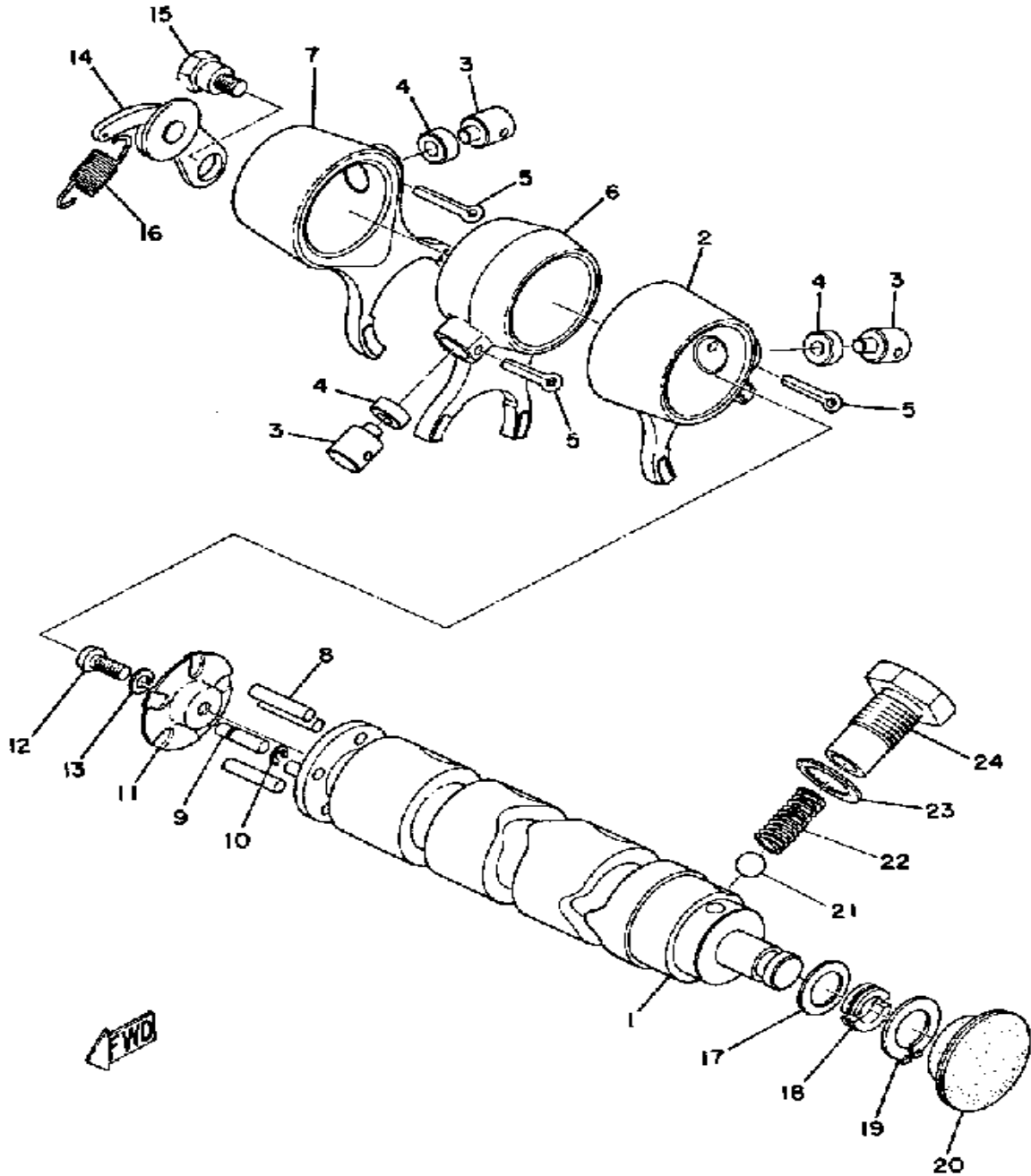
CONTINUED ON NEXT FRAME ➤

# TRANSMISSION



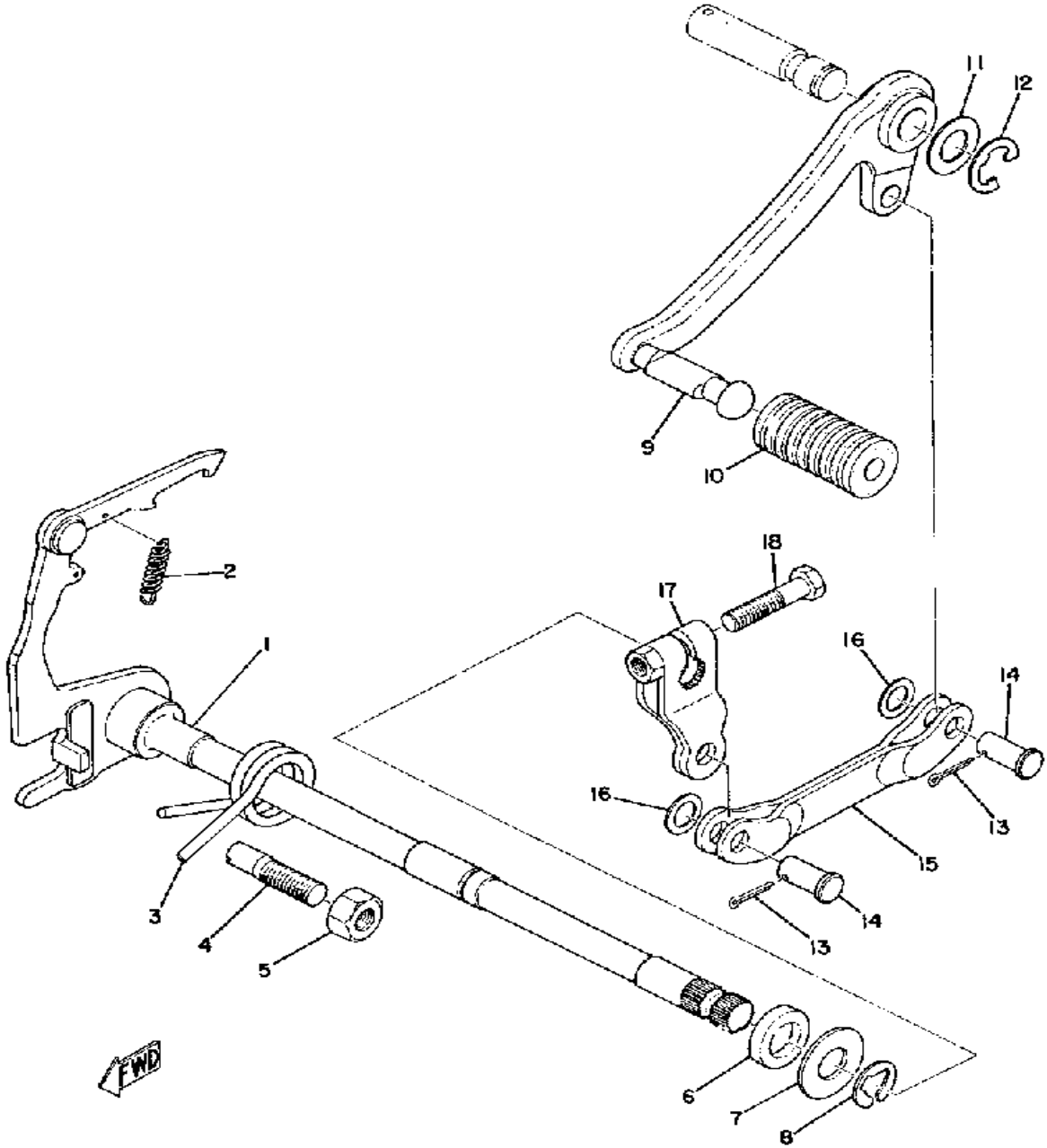
Ref. No.	Part Number	Description	Qty	Remarks
30	90387-20346-00	COLLAR (174-17462-00)	1	
31	93822-13024-00	SPROCKET, DRIVE 13T (1741746130)	1	U.R.
	93822-14037-00	SPROCKET, DRIVE 14T (1741746140)	1	U.R.äSTD
	93822-15065-00	SPROCKET, DRIVE 15T (1741746150)	1	U.R.
	93822-16093-00	SPROCKET, DRIVE	1	U.R.
32	90179-16018-00	NUT	1	
33	90215-16020-00	WASHER, LOCK	1	

# SHIFTER 1



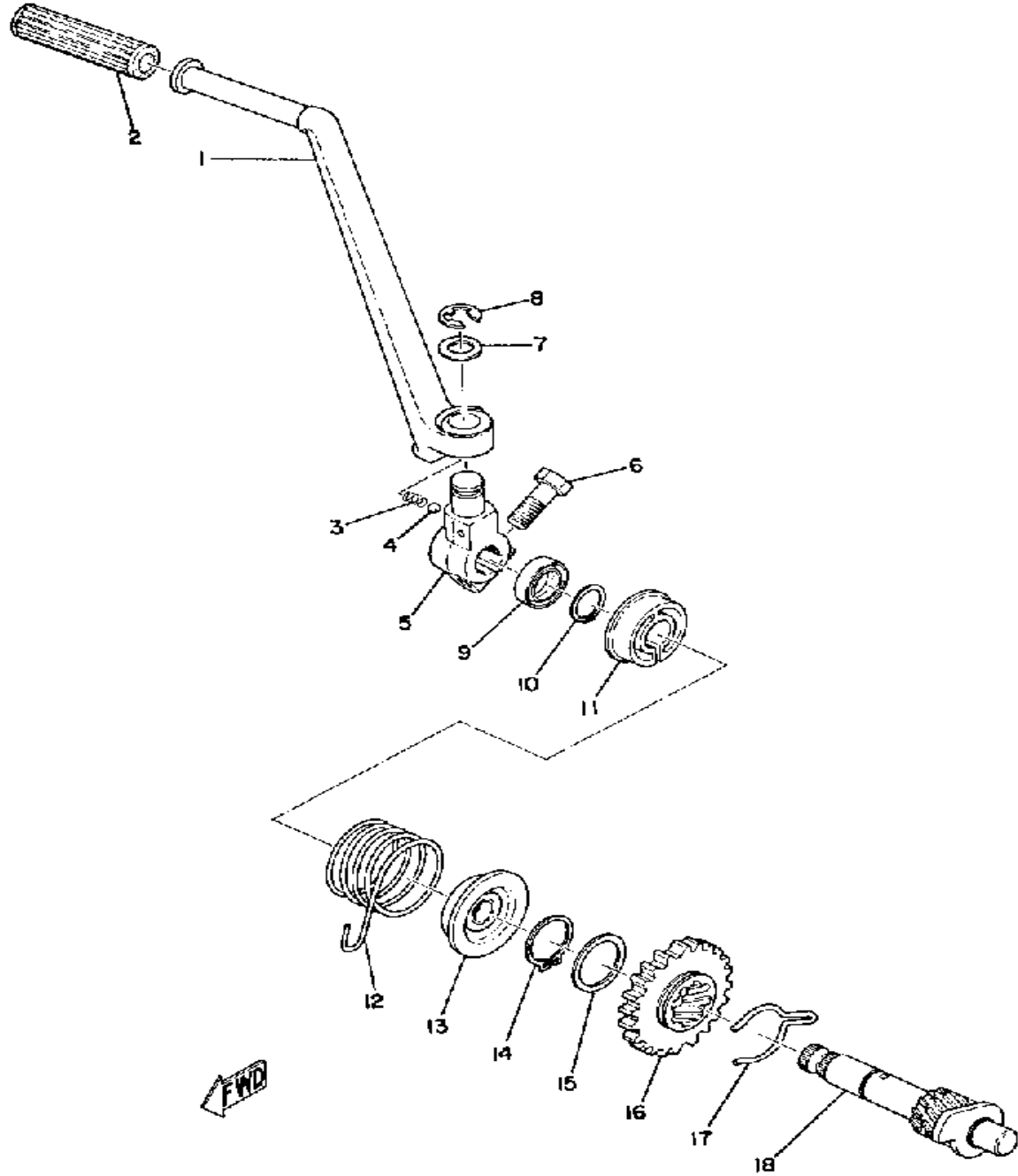
Ref. No.	Part Number	Description	Qty	Remarks
1	(183-18541-02-00)	CAM, SHIFT	1	
2	(183-18511-00-00)	FORK, SHIFT 1	1	
3	(90250-10020-00)	PIN, STRAIGHT	3	
4	(164-18551-00-00)	ROLLER, CAM FOLWR	3	
5	91401-25020-00	. PIN, COTTER	3	
6	(183-18512-00-00)	FORK, SHIFT 2	1	
7	(183-18513-00-00)	FORK, SHIFT 3	1	
8	93604-22050-00	. PIN, DOWEL	4	
9	90249-04039-00	. PIN, SPEC'L SHAPE (174-18544-00)	1	
10	93430-03014-00	. CIRCLIP, E-TYPE	1	
11	164-18561-00-00	. PLATE, SIDE 1	1	
12	98580-05012-00	. SCREW, PAN HEAD	1	
13	92990-05100-00	. WASHER, SPRING	1	
14	296-18140-02-00	STOPPER LEVER ASSEMBLY	1	
15	90109-06001-00	BOLT	1	
16	90506-09112-00	SPRING, TENSION	1	
17	90201-12166-00	WASHER, PLATE	1	
18	307-18571-00-00	HOLDER, SHIFT CAM	2	
19	93440-15012-00	CIRCLIP	1	
20	(307-18533-00-00)	PLUG, BLIND	1	
21	93505-16006-00	BALL	1	
22	90501-12083-00	SPRING, COMPRESSION (174-18558-00)	1	
23	137-15353-00-00	GASKET, DRAIN	1	
24	90109-14385-00	BOLT	1	
-1	(183-18500-02-00)	SHIFTER ASSEMBLY	1	

# SHIFTER 2



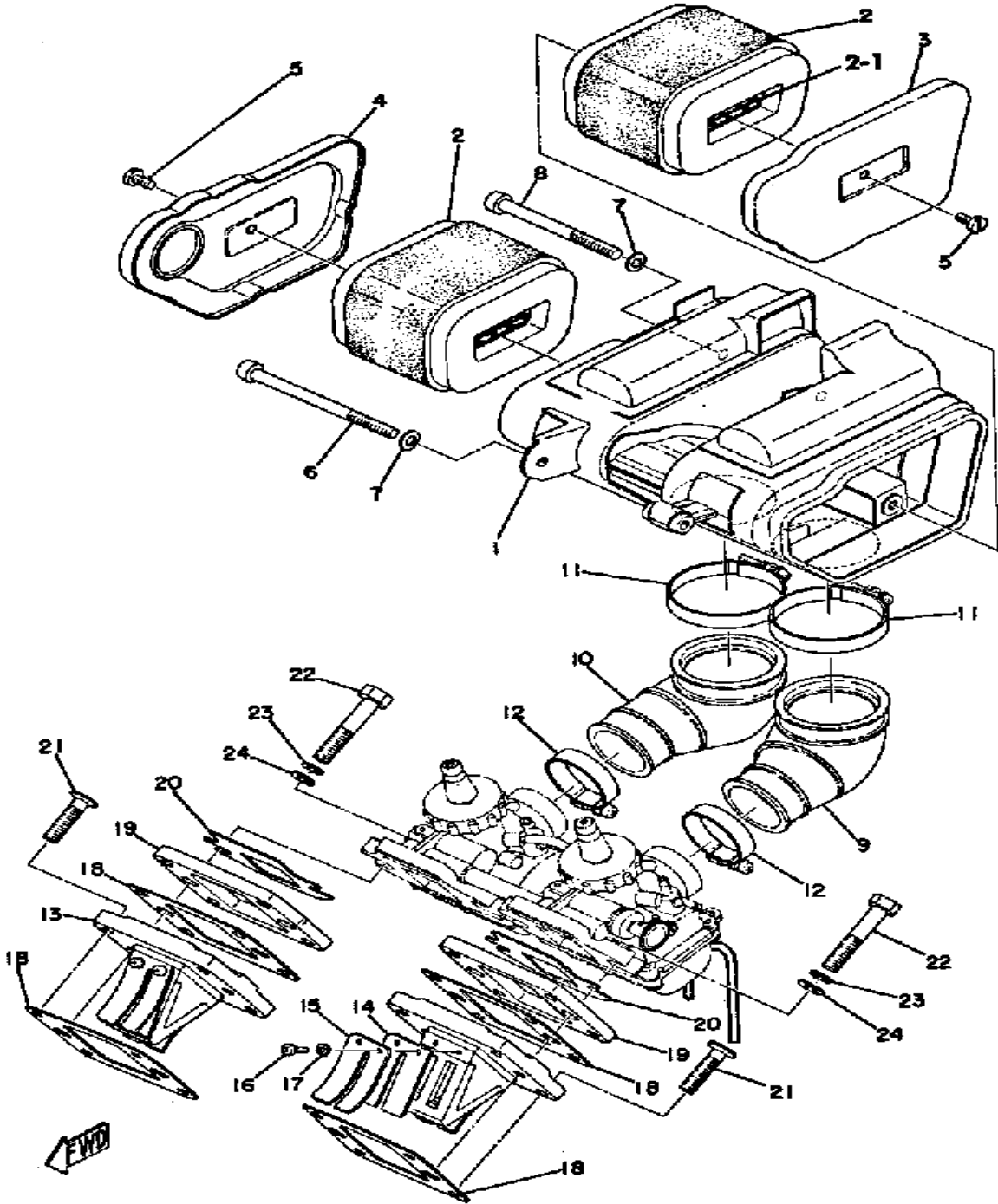
Ref. No.	Part Number	Description	Qty	Remarks
1	(307-18101-01-00)	SHIFT SHAFT ASSEMBLY 1	1	
2	90506-09009-00	. SPRING, TENSION	1	
3	90508-32207-00	SPRING, TORSION (132-18124-00)	1	
4	90149-08094-00	SCREW	1	
5	95333-08600-00	NUT, HEXAGON	1	
6	93102-12321-00	OIL SEAL, SD-TYPE	1	
7	90201-12575-00	WASHER, PLATE	1	
8	99006-10600-00	CIRCLIP	1	
9	307-18111-00-93	PEDAL, SHIFT	1	
10	132-18113-01-00	COVER, SHIFT PEDAL	1	
11	90201-122A7-00	WASHER, PLATE	1	
12	99006-10600-00	CIRCLIP	1	
13	91490-16020-00	PIN, COTTER	2	
14	90240-08013-00	PIN, CLEVIS	2	
15	(326-18115-00-93)	ROD, SHIFT	1	
16	90201-08085-00	WASHER, PLATE	2	
17	4X8-18112-00-00	ARM, SHIFT	1	
18	97313-06030-00	BOLT, HEXAGON	1	

# KICK STARTER



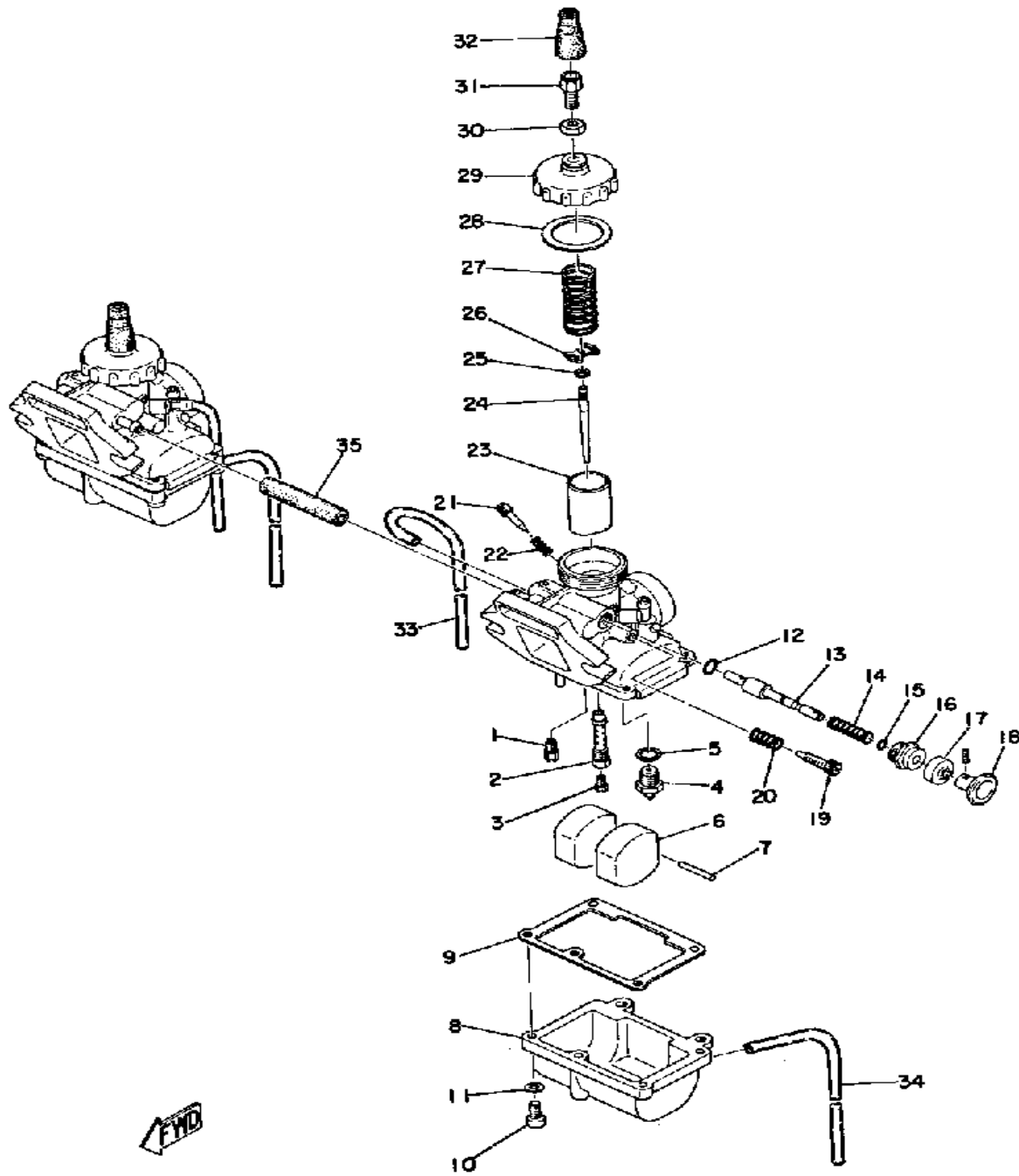
Ref. No.	Part Number	Description	Qty	Remarks
1	2F3-15611-00-93	CRANK, KICK .....	1	
2	156-15618-01-00	COVER, KICK LEVER .....	1	
3	90501-12081-00	SPRING, COMPRESSION .....	1	
4	93507-32031-00	BALL .....	1	
5	337-15621-01-00	BOSS, KICK CRANK .....	1	
6	97011-06025-00	BOLT (97001-06025) .....	1	
7	90201-15234-00	WASHER, PLATE .....	1	
8	99006-10600-00	CIRCLIP .....	1	
9	93109-15001-00	OIL SEAL .....	1	
10	99009-15400-00	CIRCLIP .....	1	
11	132-15676-01-00	COVER, SPRING .....	1	
12	90508-26136-00	SPRING, TORSION .....	1	
13	132-15664-01-00	GUIDE, SPRING .....	1	
14	93410-25017-00	CIRCLIP .....	1	
15	90201-253K0-00	WASHER, PLATE (T=1.0) .....	1	
16	180-15641-00-00	GEAR, KICK .....	1	
17	90468-26048-00	CLIP .....	1	
18	180-15660-01-00	KICK AXLE ASSEMBLY .....	1	

# INTAKE



Ref. No.	Part Number	Description	Qty	Remarks
1	(397-14411-00-00)	CASE, AIR CLEANER 1	1	
2	396-14451-09-00	ELEMENT, AIR CLNR	2	
3	(389-14412-01-00)	CAP, CLEANER CASE 1	1	
4	(397-14422-00-00)	CAP, CLEANER CASE 2	1	
5	(98301-05010-00)	SCREW, CYLINDER.HEAD	2	
6	98580-06580-00	SCREW, PAN HEAD (98501-06080-00)	1	
7	92995-06100-00	WASHER, SPRING	2	
8	98501-06070-00	SCREW, PAN HEAD	1	
9	389-14453-00-00	JOINT, AIR CLNR 1	1	
10	389-14463-00-00	JOINT, AIR CLNR 2	1	
11	90460-49058-00	CLAMP, HOSE	2	
12	90460-37026-00	CLAMP, HOSE	2	
13	(389-13610-01-00)	REED VALVE ASSEMBLY	2	
14	389-13613-00-00	. REED, VALVE	4	
15	(389-13616-01-00)	STOPPER, REED VALVE	4	
16	98580-03008-00	. SCREW, PAN HEAD	8	
17	92990-03100-00	. WASHER, SPRING (92901-03100)	8	
18	389-13621-00-00	GASKET, VALVE SEAT	4	
19	389-13555-00-00	MANIFOLD, INTAKE	2	
20	389-13622-00-00	GASKET, VALVE SEAT	2	
21	98706-06025-00	SCREW, FLAT HEAD	8	
22	91316-08040-00	BOLT, SOCKET HEAD	4	
23	92906-08100-00	WASHER, SPRING	4	
24	92906-08200-00	WASHER	4	

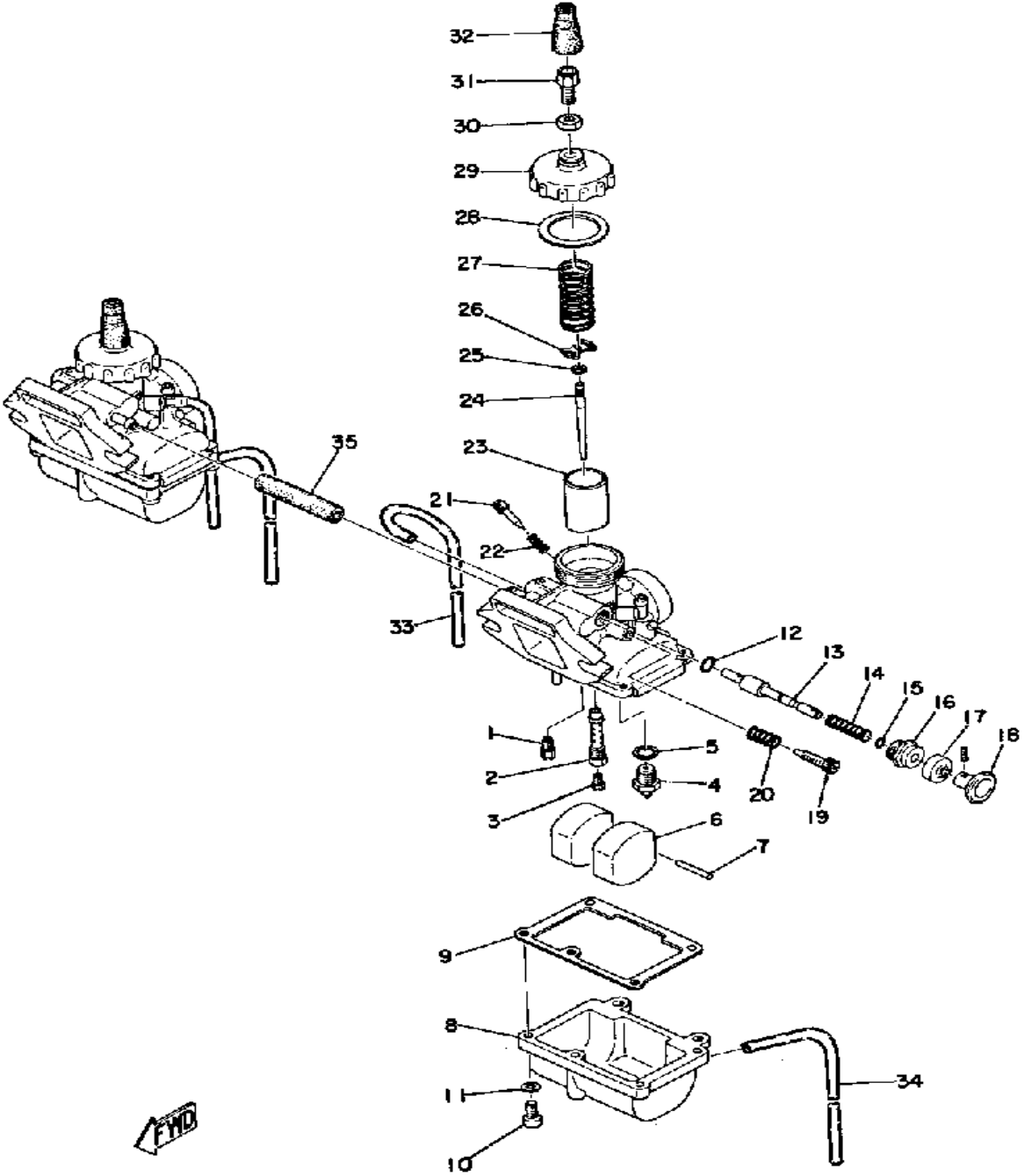
# CARBURETOR



Ref. No.	Part Number	Description	Qty	Remarks
1	(367-14342-22-00)	JET, PILOT # 4	2	
2	396-14341-00-00	. NOZZLE, MAIN	2	
3	396-14343-47-00	. JET, MAIN # 4	2	
4	396-14390-16-00	. NEEDLE VALVE ASSEMBLY	2	
5	367-14195-00-00	. GASKET	2	
6	367-14385-00-00	. FLOAT	2	
7	367-14386-00-00	. PIN, FLOAT	2	
8	397-14181-14-00	. BODY, FLOAT CHMBR 1	2	
9	389-14384-00-00	. GASKET, FLOAT CHMBR	2	
10	98580-04010-00	. SCREW, PAN HEAD	8	
11	92901-04100-00	. WASHER, SPRING	8	
12	(389-14147-00-00)	O-RING	1	
13	(396-14371-00-00)	PLUNGER, STARTER	1	
14	(389-14335-00-00)	SPRING, PLUNGER	1	
15	(389-14138-00-00)	CLIP, PLUNGER	1	
16	(396-14374-00-00)	CAP, PLUNGER	1	
17	(389-14373-00-00)	COVER, PLUNGER CAP	1	
18	389-14261-01-00	. KNOB, STARTER	1	
19	396-14211-00-00	. SCREW, PILOT ADJUSTING	2	
20	389-14212-00-00	. SPRING, PILOT ADJUSTING	2	
21	396-14323-00-00	. SCREW, AIR ADJUSTING	2	
22	389-14333-00-00	. SPRING, THRTL STOP	2	
23	(396-14312-25-00)	VALVE, THROTTLE 1	1	
	(396-14313-25-00)	VALVE, THROTTLE 2	1	
24	(396-14336-00-00)	NEEDLE	2	
25	389-14137-00-00	. CLIP	2	
26	396-14136-02-00	. SEAT, SPRING	2	
27	(396-14331-00-00)	SPRING, THRTL VALVE	2	
28	(389-14126-00-00)	GASKET	2	

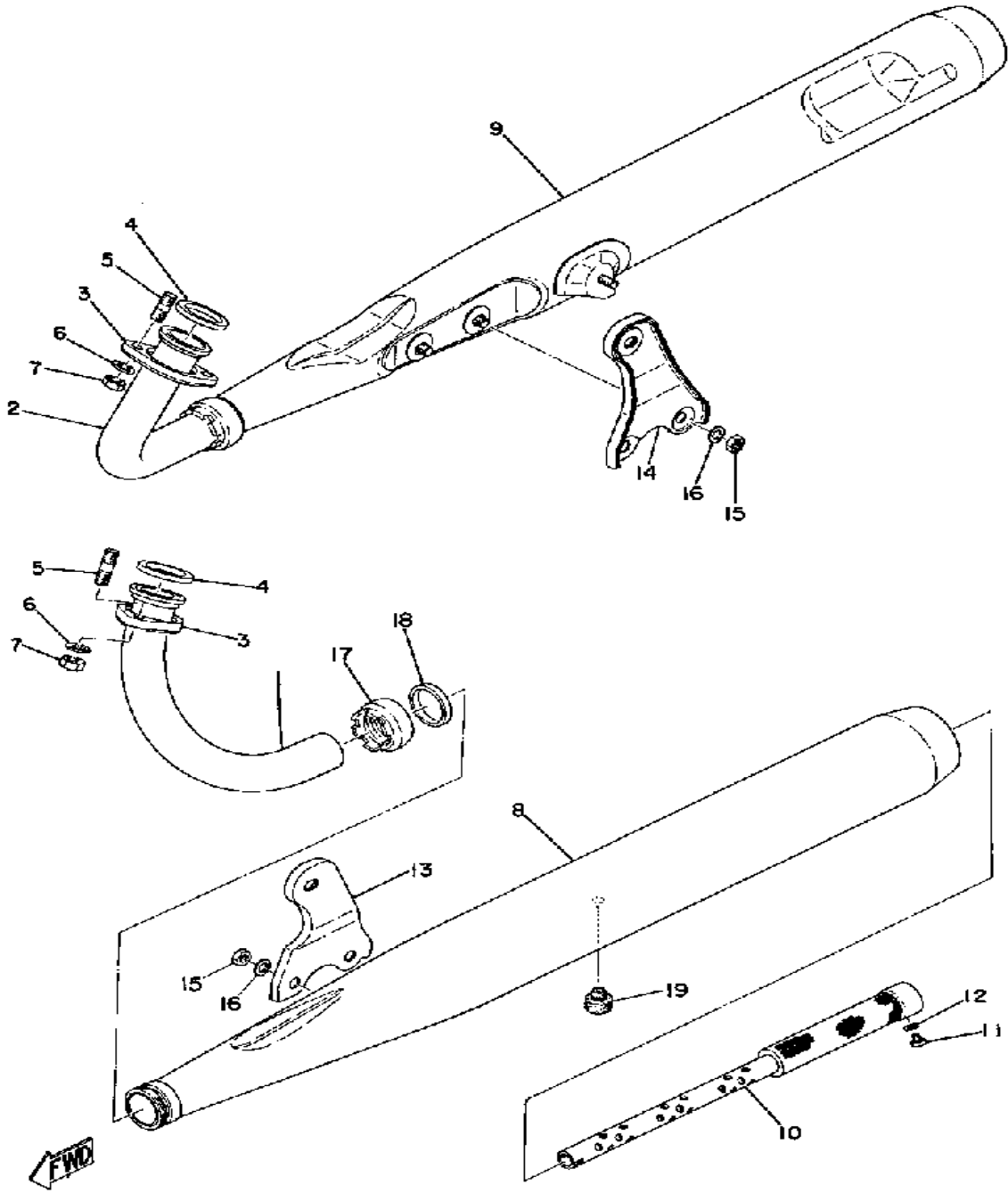
CONTINUED ON NEXT FRAME ➤

# CARBURETOR



Ref. No.	Part Number	Description	Qty	Remarks
29	(389-14168-00-33)	CAP, MIXING CHAMBER . . . . .	2	
30	288-14161-00-00	. NUT, CABLE ADJUSTING . . .	2	
31	(396-14124-00-00)	SCREW, CABLE ADJUSTING . .	2	
32	367-14169-00-00	. CAP . . . . .	2	
33	(396-14348-00-00)	PIPE 1 . . . . .	2	
34	(389-14396-00-00)	PIPE . . . . .	2	
35	(389-14349-00-00)	PIPE . . . . .	1	
-1	(466-14301-20-00)	CARBURETOR ASSEMBLY 1 . .	1	
-2	(466-14302-20-00)	CARBURETOR ASSEMBLY 2 . .	1	

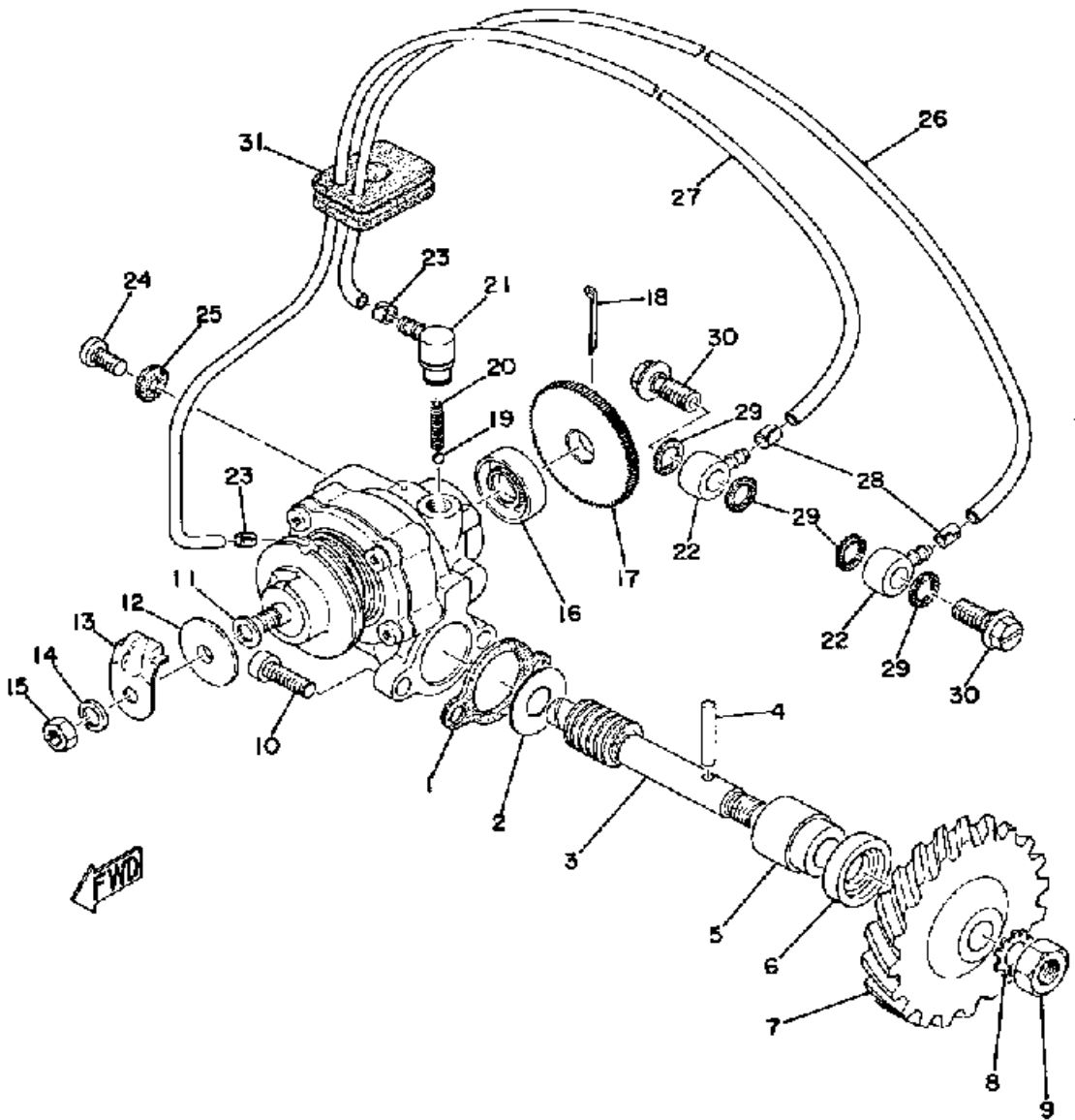
# EXHAUST



Ref. No.	Part Number	Description	Qty	Remarks
1	(396-14611-00-00)	PIPE, EXHAUST L .....	1	
2	(396-14621-00-00)	PIPE, EXHAUST R .....	1	
3	(307-14612-00-00)	NUT, RING .....	2	
4	132-14613-00-00	GASKET, EXST PIPE .....	2	
5	90116-08166-00	BOLT, STUD (246-14651-00) ..	4	
6	92990-08100-00	WASHER .....	4	
7	95333-08600-00	NUT, HEXAGON .....	4	
8	(466-14710-00-00)	MUFFLER ASSEMBLY L .....	1	
9	(466-14720-00-00)	MUFFLER ASSEMBLY R .....	1	
10	(307-14753-00-00)	SILENCER, EXHAUST .....	2	
11	98580-05010-00	. SCREW, PAN HEAD .....	2	
12	92990-05100-00	. WASHER, SPRING .....	2	
13	(396-14771-00-00)	STAY, MUFFLER 1 .....	1	
14	(396-14781-00-00)	STAY, MUFFLER 2 .....	1	
15	95333-08600-00	. NUT, HEXAGON .....	4	
16	92990-08100-00	. WASHER .....	4	
17	132-14713-00-00	NUT, MUFFLER JOINT .....	2	
18	3NA-14714-01-00	GASKET, MUFFLER .....	2	
19	1M3-27114-00-00 (10927-11400-00)	STOPPER, MAIN STAND .....	1	

# OIL PUMP

Ref. No.	Part Number	Description	Qty	Remarks
1	3MT-13116-00-00	GASKET, PUMP CASE (8Y0-13116-00)	1	
2	90201-08624-00	WASHER, PLATE	1	
3	(174-13175-00-00)	SHAFT, WORM	1	
4	93603-22028-00	PIN, DOWEL	1	
5	1E7-13176-00-00	METAL, WRM SHAF OTR	1	
6	93101-10002-00	OIL SEAL	1	
7	(132-13178-01-00)	GEAR, PUMP DRIVE	1	
8	92901-08400-00	WASHER, EX.TOOTH	1	
9	95303-08700-00	NUT	1	
10	98580-05016-00	SCREW, PAN HEAD (98501-05016)	2	
11	(137-13137-00-30)	SHIM, PLUNGER	1	U.R.
	137-13137-00-03	. SHIM (0.3T)	1	U.R.
	137-13137-00-05	. SHIM (0.5T)	1	U.R.
	137-13137-00-10	. SHIM (1.0T)	1	U.R.
	137-13137-00-50	. SHIM, PLUNGER	1	U.R.
12	137-13138-01-00	. PLATE, ADJUSTING	1	
13	(402-13146-00-00)	COVER, AJST PULLEY	1	
14	92990-05100-00	. WASHER, SPRING	1	
15	95380-05600-00	. NUT	1	
16	93101-10090-00	. OIL SEAL	1	
17	(137-13128-00-00)	PLATE, STARTER	1	
18	91401-12018-00	. PIN, COTTER	1	
19	93505-32002-00	. BALL	2	
20	90501-02018-00	. SPRING, COMPRESSION	2	
21	353-13552-01-00	. NOZZLE	2	
22	214-13162-01-00	. BANJO, DLVRY PIPE	2	
23	90468-02033-00	. CLIP	2	

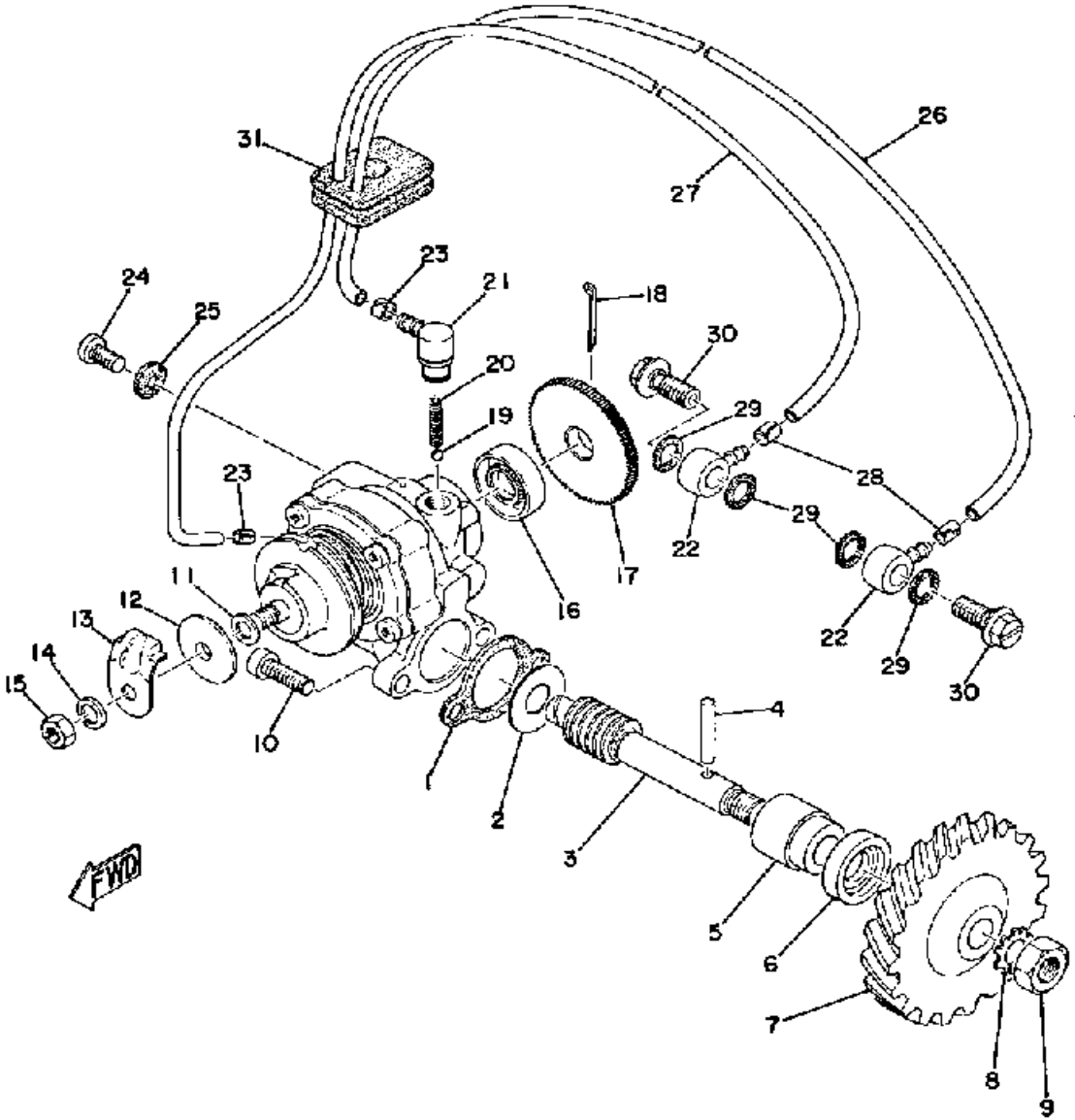


AUTOLUBE - Minimum Pump Stroke/Color Code	0.20 ~ 0.25mm (.008 ~ .010")	Pink
---	------------------------------	------

CONTINUED ON NEXT FRAME ►

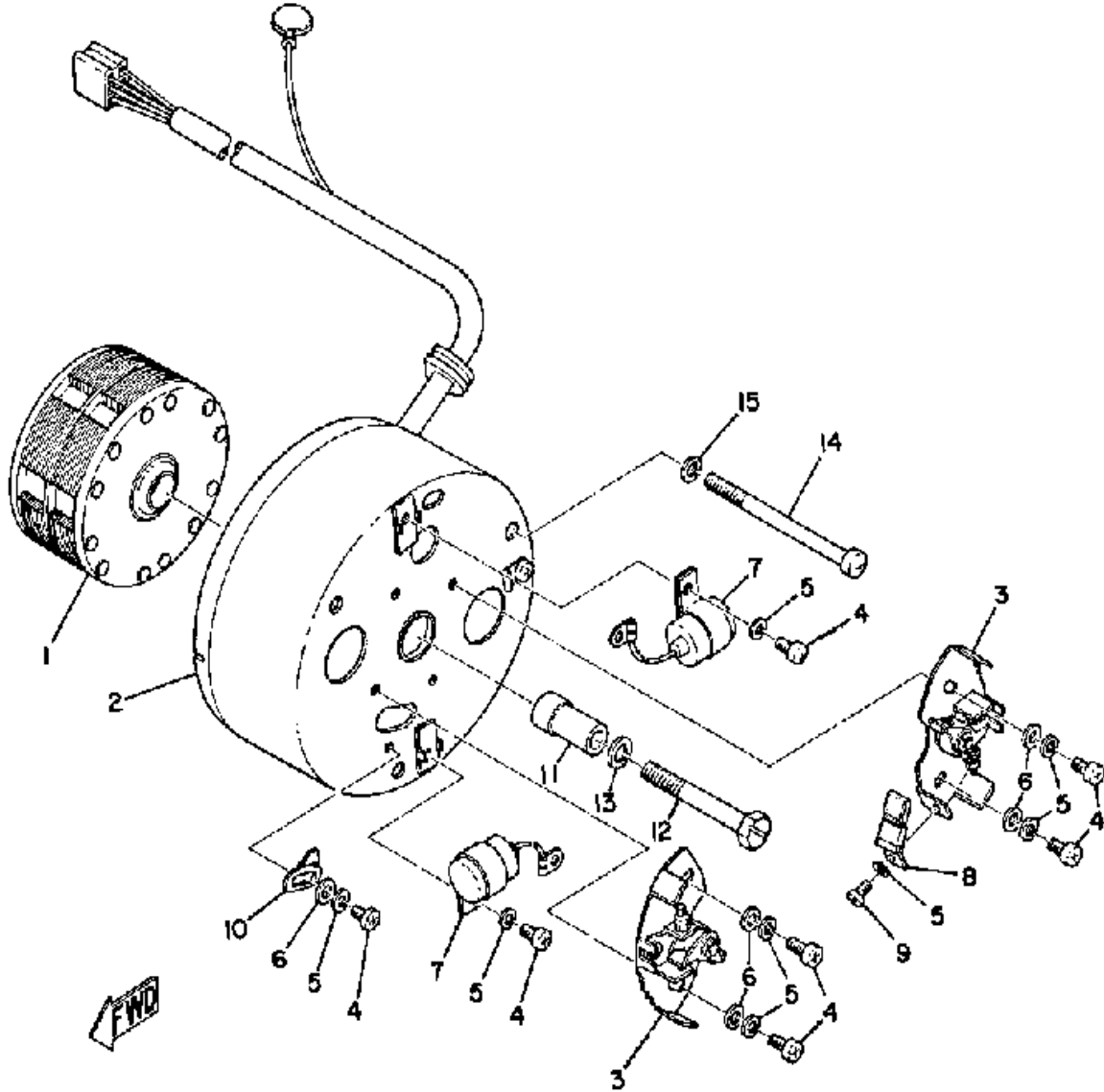
# OIL PUMP

Ref. No.	Part Number	Description	Qty	Remarks
24	98901-04008-00	. SCREW, BIND .....	1	
25	90430-04004-00	. GASKET .....	1	
26	90445-05034-00	. HOSE .....	1	
27	90445-052F5-00	. HOSE .....	1	
28	90468-02033-00	CLIP .....	2	
29	90430-06011-00	GASKET .....	4	
30	90401-06001-00	BOLT, UNION .....	2	
31	(293-13174-00-00)	HOLDER, OIL PIPE .....	1	
-1	(396-13101-02-00)	OIL PUMP ASSEMBLY .....	1	



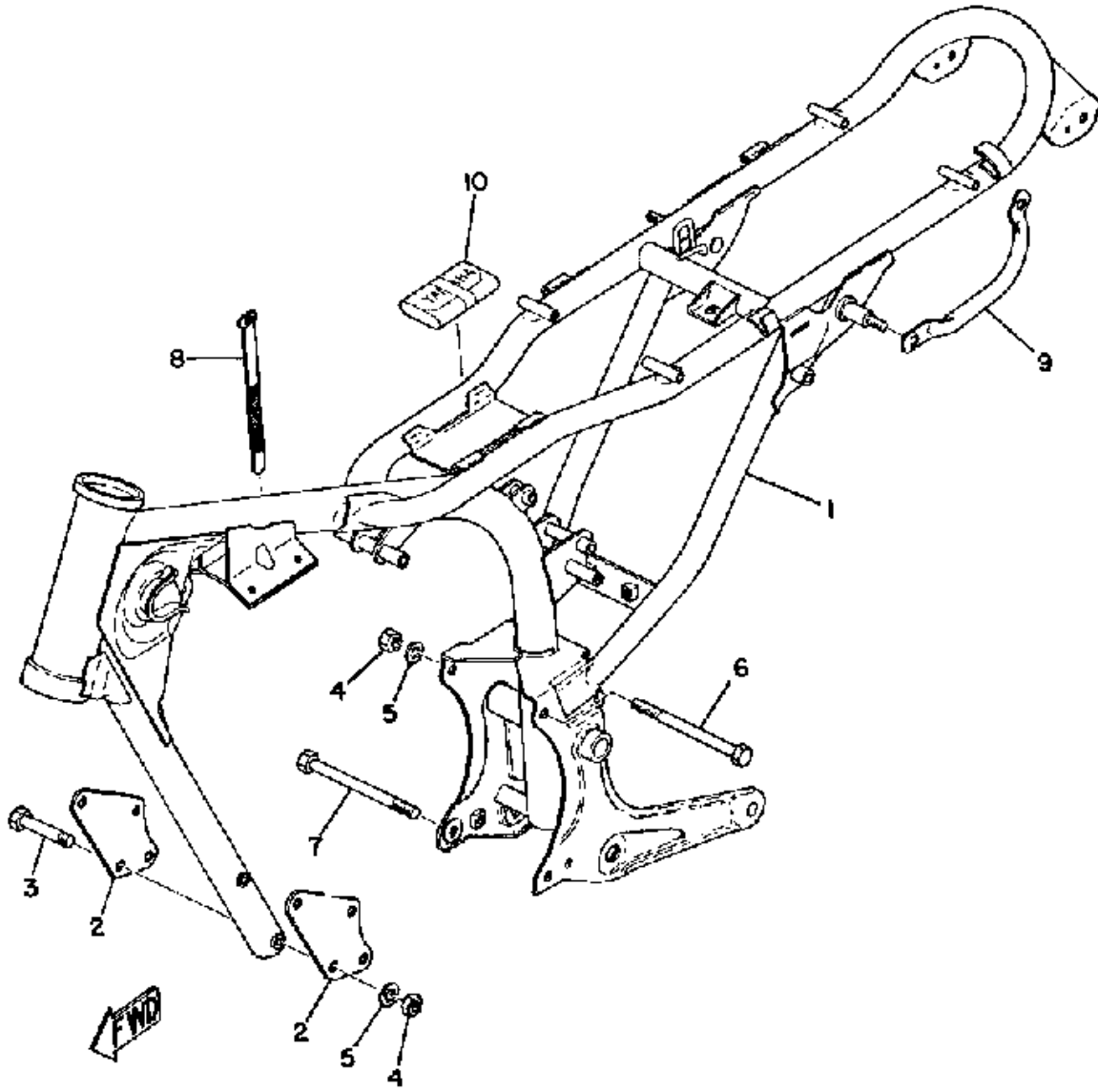
AUTOLUBE - Minimum Pump Stroke/Color Code	0.20 ~ 0.25mm (.008 ~ .010")	Pink
---	------------------------------	------

# A - C - GENERATOR



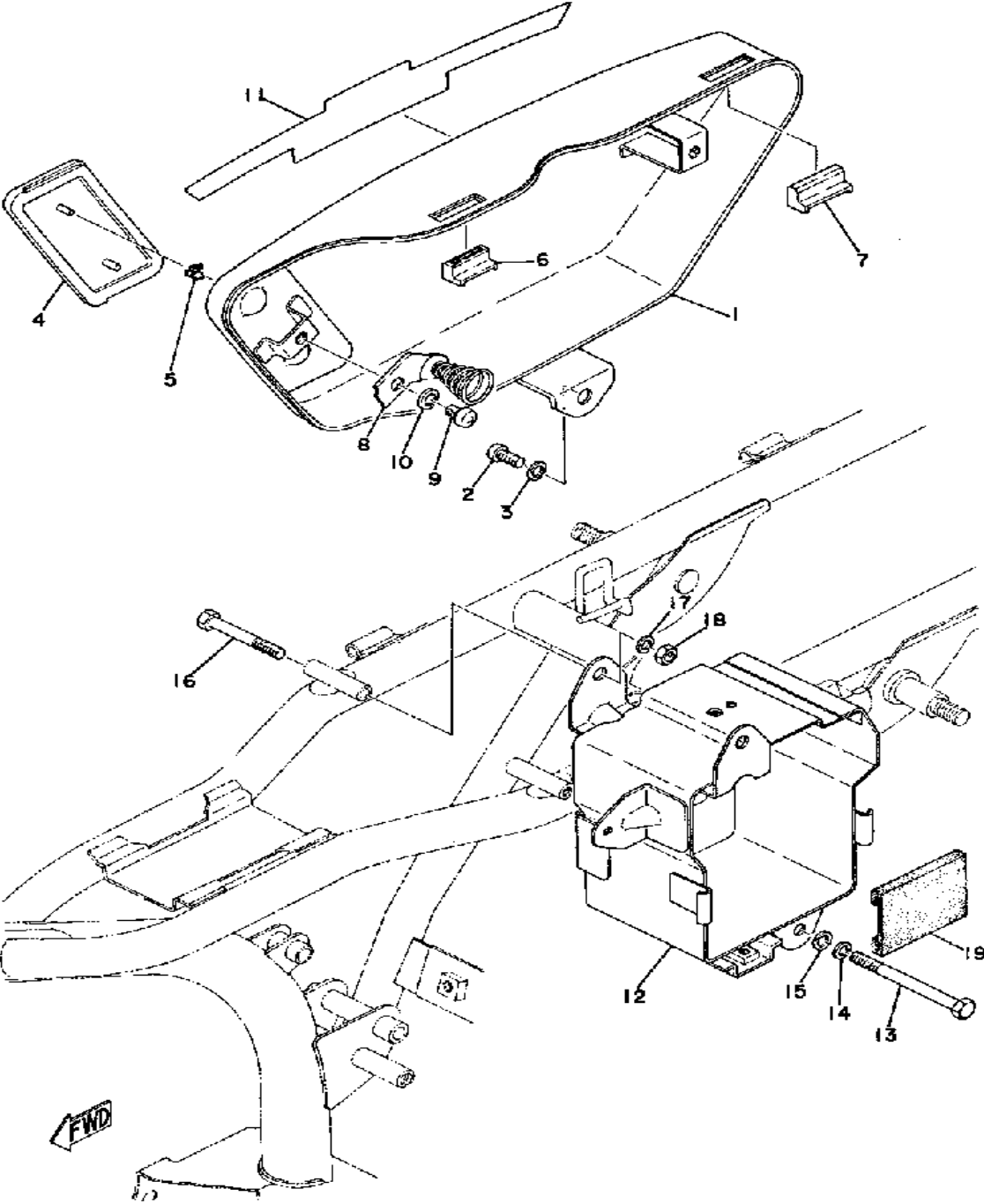
Ref. No.	Part Number	Description	Qty	Remarks
1	(307-81450-10-00)	ROTOR ASSEMBLY .....	1	
2	(307-81410-11-00)	STATOR ASSEMBLY .....	1	
3	183-81421-19-00	.. CONTACT BRKR ASSEMBLY	2	
4	98580-04008-00	.. SCREW, PAN HEAD .....	7	
5	92901-04100-00	.. WASHER, SPRING .....	8	
6	92990-04200-00	.. WASHER, PLAIN .....	5	
7	183-81425-11-00	.. CONDENSER 1 .....	2	
8	(183-81431-10-00)	LUBRICATOR .....	1	
9	97601-04106-00	.. SCREW, PN/HD.W/WSHR ..	1	
10	(183-81432-10-00)	PLATE, TIMING .....	1	
11	(183-81451-13-00)	CAM .....	1	
12	90143-07022-00	. SCREW, HEXAGON .....	1	
13	92990-08100-00	. WASHER .....	1	
14	98501-06075-00	. SCREW, PAN HEAD .....	3	
15	92995-06100-00	. WASHER, SPRING .....	3	
-1	(307-81400-11-00)	AC MAGNET GEN ASSEMBLY	1	

# FRAME



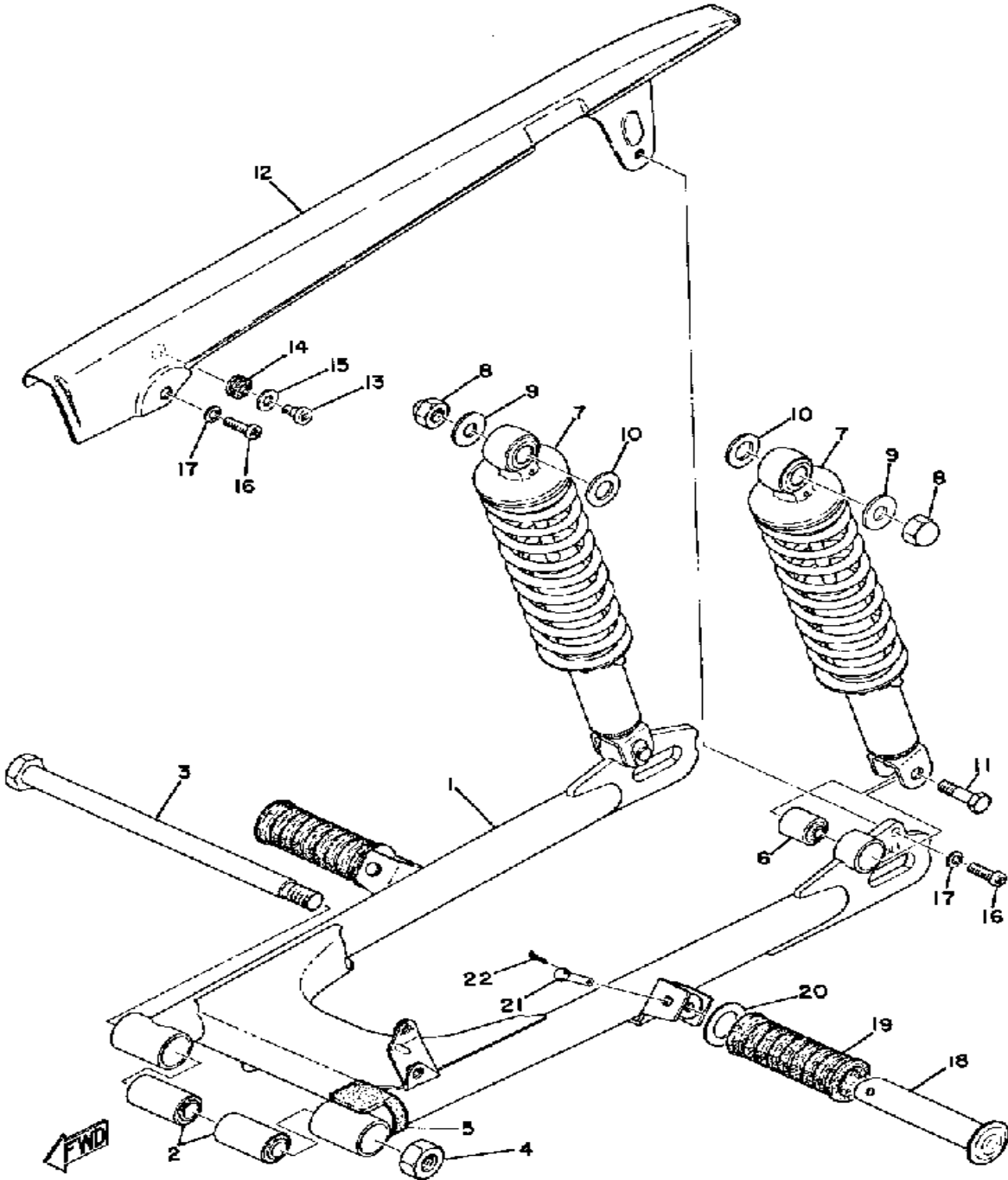
Ref. No.	Part Number	Description	Qty	Remarks
1	(396-21110-01-33)	FRAME .....	1	YAMAHA BLK
2	(307-21315-00-33)	STAY, ENGINE 2 .....	2	YAMAHA BLACK
3	97313-08055-00	BOLT, HEXAGON .....	4	
4	95333-08600-00	NUT, HEXAGON .....	5	
5	92990-08100-00	WASHER .....	5	
6	95811-08110-00	BOLT, FLANGE .....	1	
7	90101-08286-00	BOLT .....	1	
8	437-83936-11-00	BAND, SWITCH CORD .....	1	
9	(307-21165-00-33)	HANDLE, STANDING .....	1	YAMAHA BLACK
10	(396-28100-10-00)	TOOL KIT .....	1	

# SIDE COVER - BOX



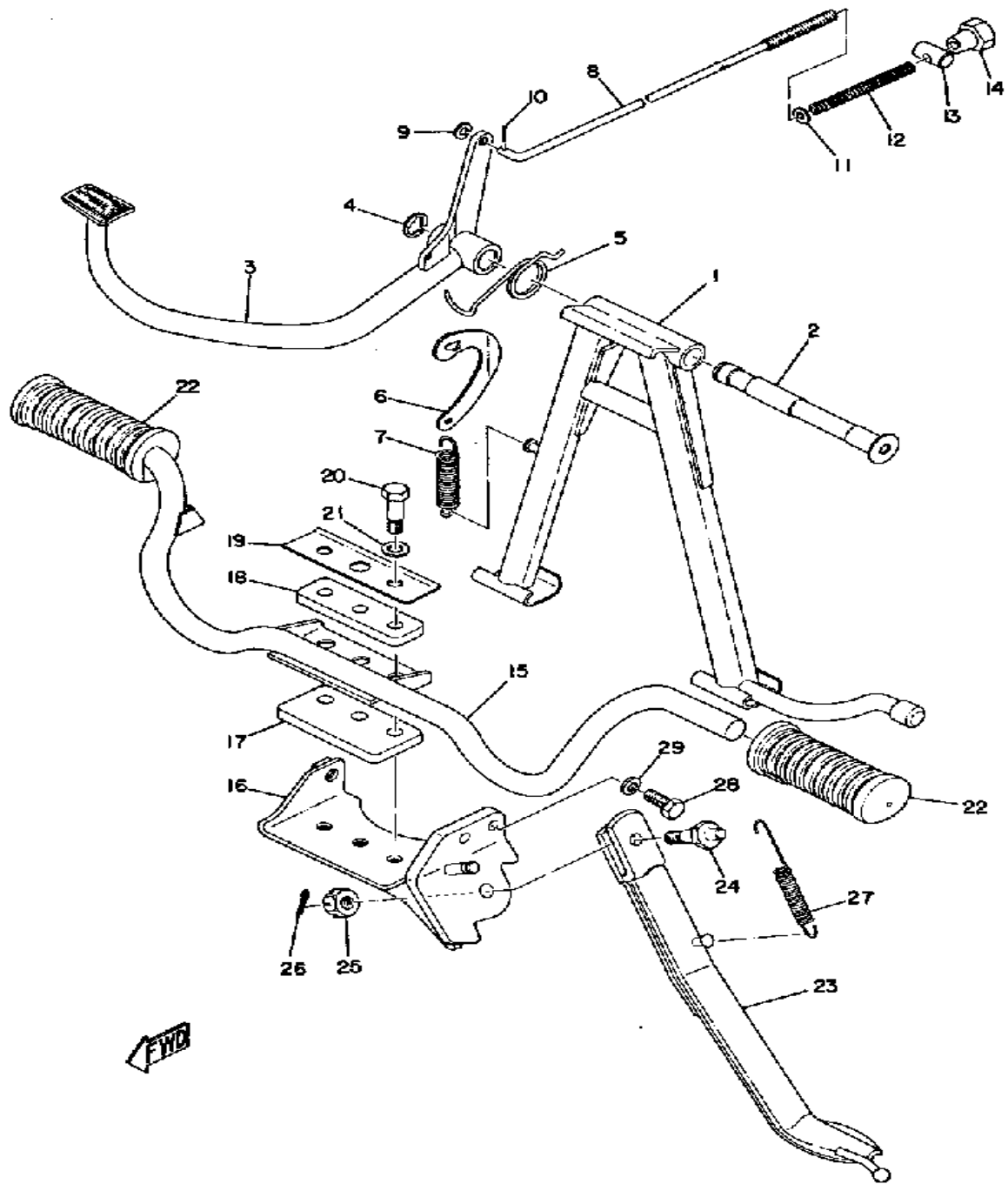
Ref. No.	Part Number	Description	Qty	Remarks
1	(396-21711-01-A9)	COVER, SIDE 1	1	BRANDY RED METALLIC
2	98503-06014-00	SCREW, PAN HEAD (92502-06016)	1	
3	92995-06100-00	WASHER, SPRING	1	
4	(396-21782-01-00)	MOLD 2	1	
5	90183-03006-00	NUT, SPRING	2	
6	416-21717-00-00	DAMPER	1	
7	466-21717-00-00	DAMPER, SIDE COVER	1	
8	(466-21778-01-00)	DAMPER, LOCATING 1	1	
9	98580-06008-00	SCREW, PAN HEAD	1	
10	92995-06100-00	WASHER, SPRING	1	
11	(466-21783-20-00)	EMBLEM 3	1	
12	(396-21170-00-33)	BOX	1	YAMAHA BLACK
13	97313-06070-00	NUT (97301-06070)	1	
14	92995-06100-00	WASHER, SPRING	1	
15	90201-06038-00	WASHER, PLATE	1	
16	97313-06045-00	BOLT (97021-06045-00)	2	
17	92995-06100-00	WASHER, SPRING	2	
18	95380-06600-00	NUT	2	
19	(307-82121-00-00)	PAD, BATTERY	1	

# REAR ARM - REAR CUSHION - CHAIN CA



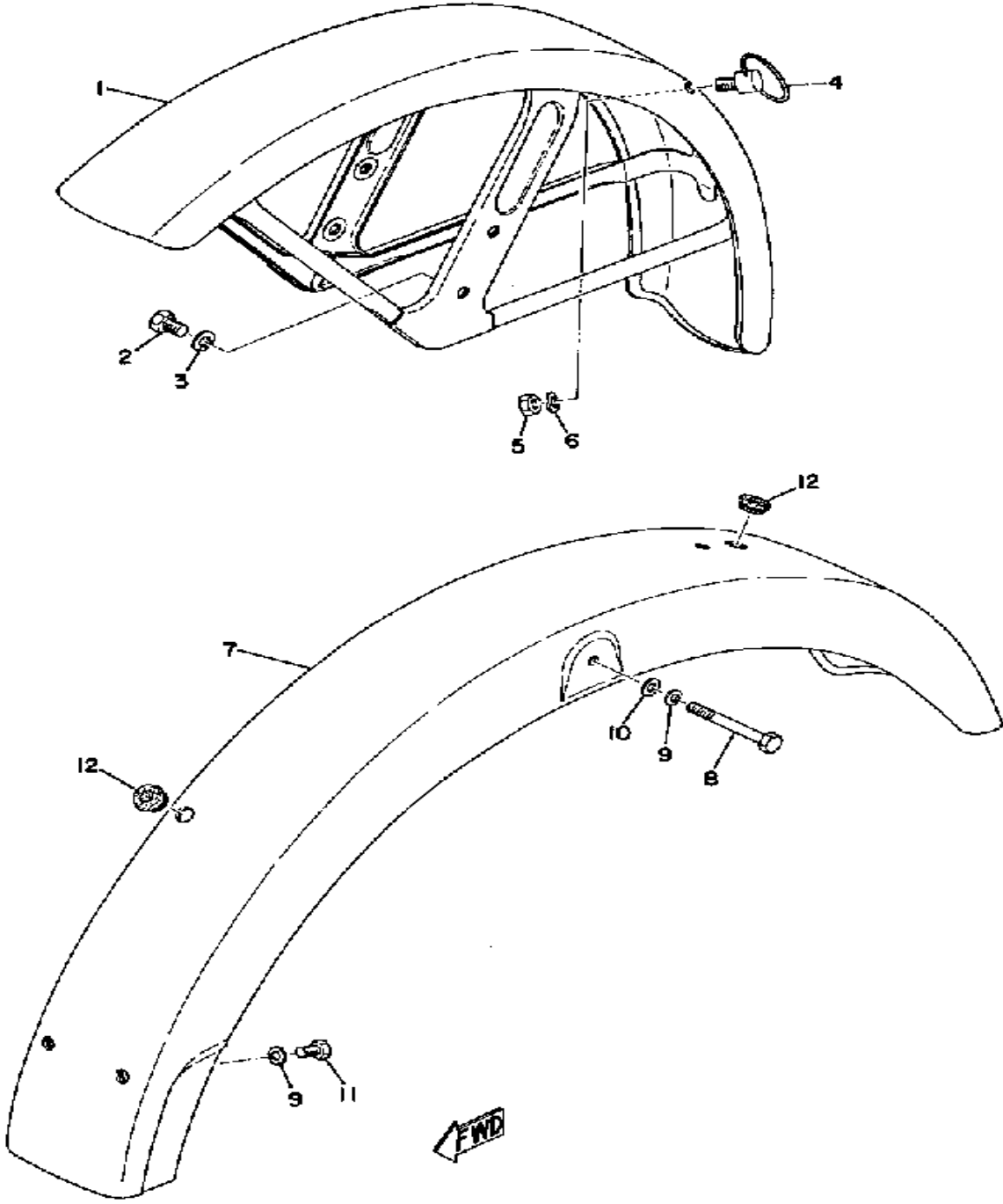
Ref. No.	Part Number	Description	Qty	Remarks
1	(507-22110-00-33)	REAR ARM .....	1	YAMAHA BLACK
2	307-22123-00-00	BUSH 1 .....	2	
3	(307-22141-10-00)	SHAFT, PIVOT .....	1	
4	90170-12065-00	NUT, HEXAGON .....	1	
5	(173-22151-00-00)	SEAL, GUARD .....	1	
6	164-22216-00-00	BUSH, REAR SHOCK ABSORBER .....	2	
7	(396-22210-20-00)	SHK/ABS ASSEMBLY, REAR .	2	
8	95303-10800-00	NUT (CROWN) (92803-10700) .	2	
9	90201-10437-00	WASHER, PLATE .....	2	
10	90201-14218-00	WASHER, PLATE .....	2	
11	(90106-08027-00)	BOLT, DOME HEAD .....	2	
12	(307-22311-00-93)	CASE, CHAIN .....	1	
13	(90149-06012-00)	SCREW, SPEC'L SHAPE ....	1	
14	(183-22332-01-00)	DAMPER, CHAIN CASE .....	1	
15	(90201-07079-00)	WASHER, PLATE .....	1	
16	98580-06012-00	SCREW, PAN HEAD .....	2	
17	92995-06100-00	WASHER, SPRING .....	2	
18	120-27431-00-00	FOOTREST, REAR 1 .....	2	
19	120-27433-00-00	COVER, REAR FOOTREST ...	2	
20	90201-20279-00	WASHER, PLATE .....	2	
21	91701-06035-00	PIN, CLEVIS .....	2	
22	91490-16020-00	PIN, COTTER .....	2	

# STAND - FOOTREST - BRAKE PEDAL



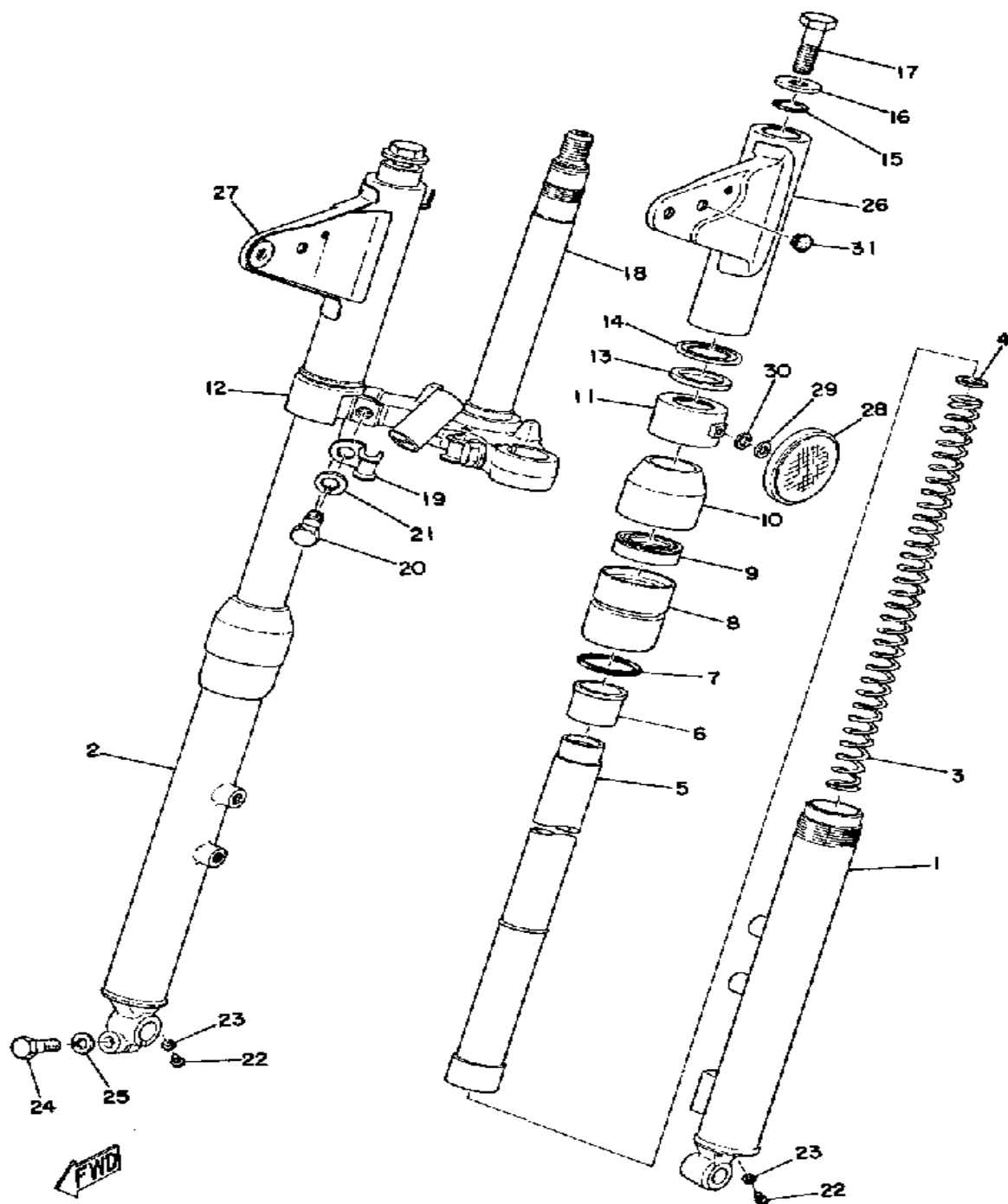
Ref. No.	Part Number	Description	Qty	Remarks
1	(307-27111-00-00)	STAND, MAIN	1	
2	(122-27112-00-00)	SHAFT, MAIN STAND	1	
3	(1E7-27211-00-93)	PEDAL, BRAKE	1	
4	93430-12008-00	CIRCLIP	1	
5	90508-32056-00	SPRING, TORSION	1	
6	(307-27115-00-00)	LINK, MAIN STAND	1	
7	(90506-29054-00)	SPRING, TENSION	1	
8	(307-27231-00-00)	ROD, BRAKE	1	
9	90201-06038-00	WASHER, PLATE	1	
10	91490-20020-00	PIN, COTTER	1	
11	90201-06038-00	WASHER, PLATE	1	
12	90501-10245-00	SPRING, COMPRESSION	1	
13	90249-12008-00	PIN	1	
14	90179-06411-00	NUT	1	
15	(396-27411-01-00)	FOOTREST 1	1	
16	(396-27412-01-00)	BRACKET, FOOTREST 1	1	
17	(132-27424-00-00)	DAMPER, FOOTREST 2	1	
18	(132-27414-00-00)	DAMPER, FOOTREST	1	
19	(132-27417-00-00)	WASHER, FOOTREST	1	
20	90109-08193-00	BOLT (132-27416-00)	3	
21	92990-10200-00	WASHER, PLAIN	3	
22	307-27413-00-00	COVER, FOOTREST	2	
23	(307-27311-20-33)	STAND, SIDE	1	
24	90109-10399-00	BOLT	1	
25	95303-10900-00	NUT, SLOTTED	1	
26	91490-20025-00	PIN, SPLIT	1	
27	90506-29052-00	SPRING, TENSION	1	
28	97313-08020-00	BOLT, HEXAGON	1	
29	92990-08100-00	WASHER	1	

# FRONT FENDER - REAR FENDER



Ref. No.	Part Number	Description	Qty	Remarks
1	(337-21510-00-93)	FENDER, FRONT	1	
2	97301-08010-00	BOLT, HEXAGON	4	
3	92990-08100-00	WASHER	4	
4	(174-21518-00-00)	HOLDER, CABLE	1	
5	95380-06600-00	NUT	1	
6	92995-06100-00	WASHER, SPRING	1	
7	(307-21610-00-93)	FENDER, REAR	1	
8	97313-06050-00	BOLT	2	
9	92995-06100-00	WASHER, SPRING	4	
10	90201-06038-00	WASHER, PLATE	2	
11	97013-06012-00	BOLT	2	
12	90480-12013-00	GROMMET	2	

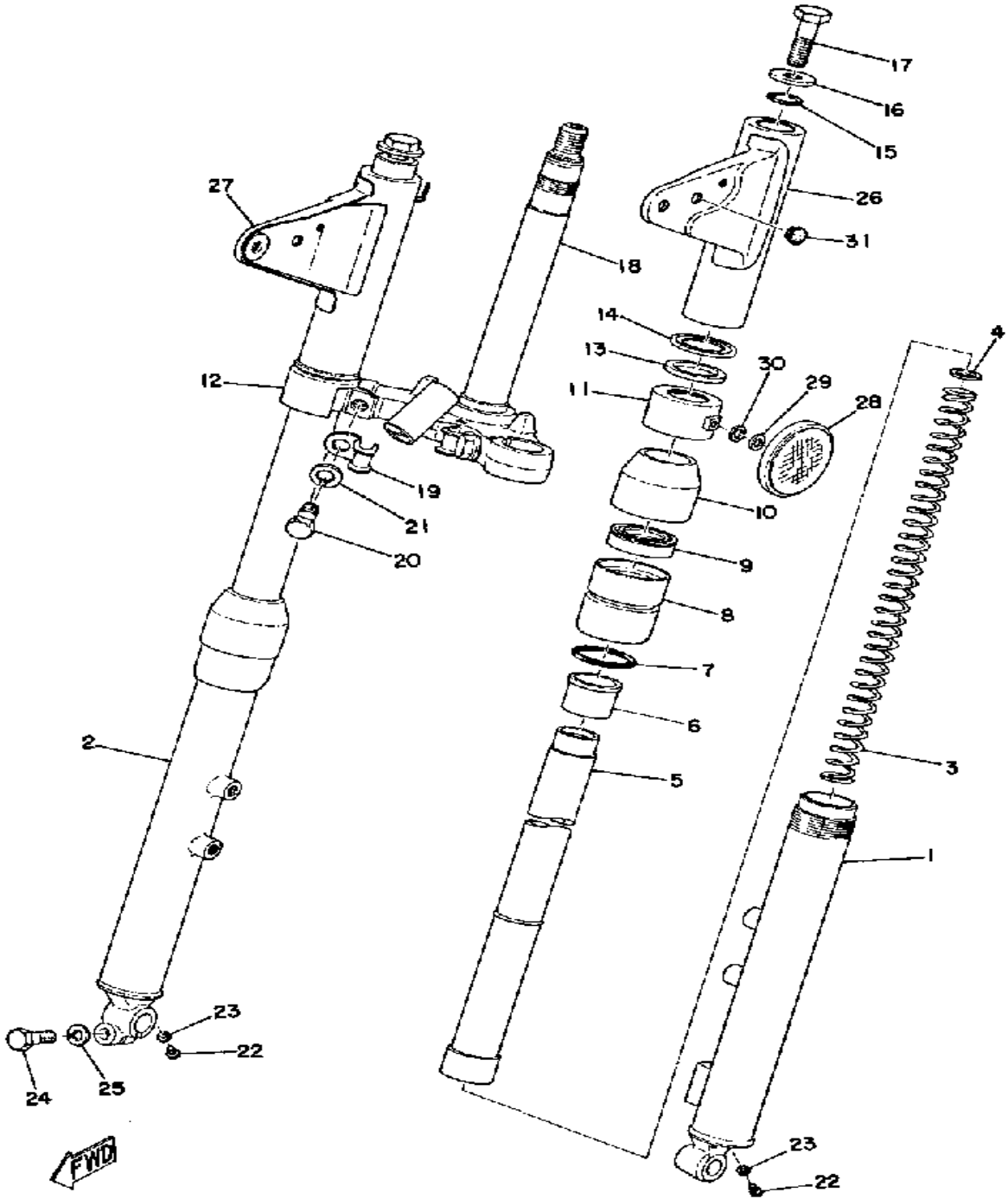
# FRONT FORK



Ref. No.	Part Number	Description	Qty	Remarks
1	(396-23126-00-35)	TUBE, OUTER 1 .....	1	SILVER
2	(307-23136-00-35)	TUBE, OUTER 2 .....	1	SILVER
3	(307-23141-00-00)	SPRING, FRONT FORK .....	2	
4	(252-23149-00-00)	WASHER, SPRING UPR .....	2	
5	(252-23124-00-00)	TUBE, INNER 1 .....	2	
6	(164-23125-00-00)	METAL, SLIDE 1 .....	2	
7	(164-23147-00-00)	O-RING .....	2	
8	(307-23150-01-00)	OUTER NUT .....	2	
9	164-23145-01-00	. . OIL SEAL .....	2	
10	(252-23144-00-00)	SEAL, DUST .....	2	
11	(307-23122-00-93)	COVER, OUTER 1 .....	1	
12	(307-23132-00-93)	COVER, OUTER 2 .....	1	
13	164-23163-00-00	. GASKET .....	2	
14	(252-23116-00-00)	GUIDE, COVER LOWER .....	2	
15	307-23114-00-00	. O-RING .....	2	
16	(183-23112-00-00)	WASHER, CAP .....	2	
17	(307-23111-00-00)	BOLT, CAP .....	2	
18	(307-23340-00-33)	UNDER BRACKET .....	1	YAMAHA BLACK
19	(183-23318-00-00)	HOLDER, CABLE 1 .....	2	
20	5J0-23346-00-00	. BOLT 1 .....	2	
21	92990-10100-00	. LOCKWASHER .....	2	
22	98580-04008-00	. SCREW, PAN HEAD .....	2	
23	122-23129-00-00	. GASKET, DRAIN PLUG .....	2	
24	(90119-08010-00)	BOLT, WITH WASHER .....	1	
25	92990-08100-00	. WASHER .....	1	
26	(507-23121-00-A9)	COVER, UPPER 1 .....	1	BRANDY RED METALLIC
27	(507-23131-00-A9)	COVER, UPPER 2 .....	1	BRANDY RED METALLIC

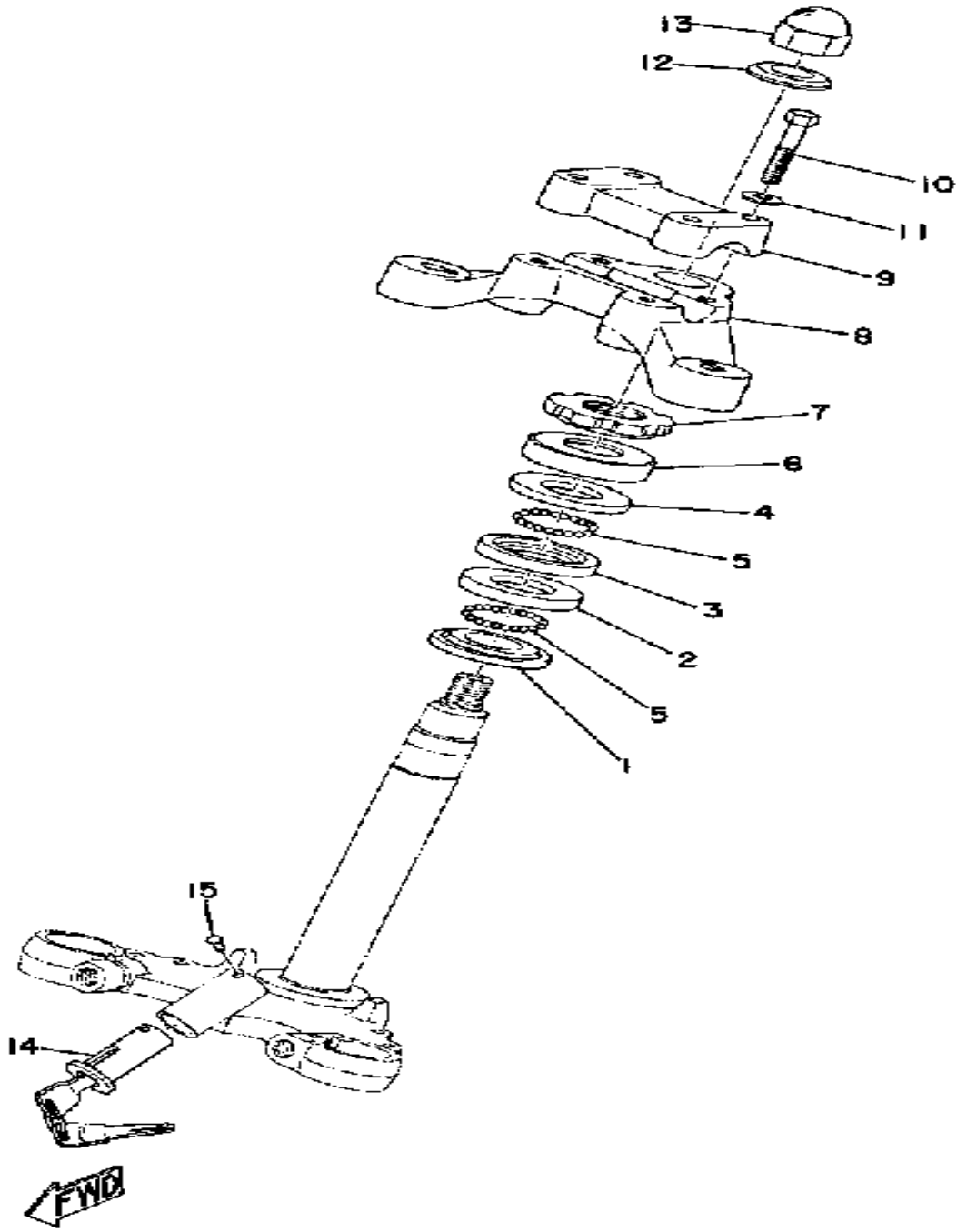
CONTINUED ON NEXT FRAME ►

# FRONT FORK



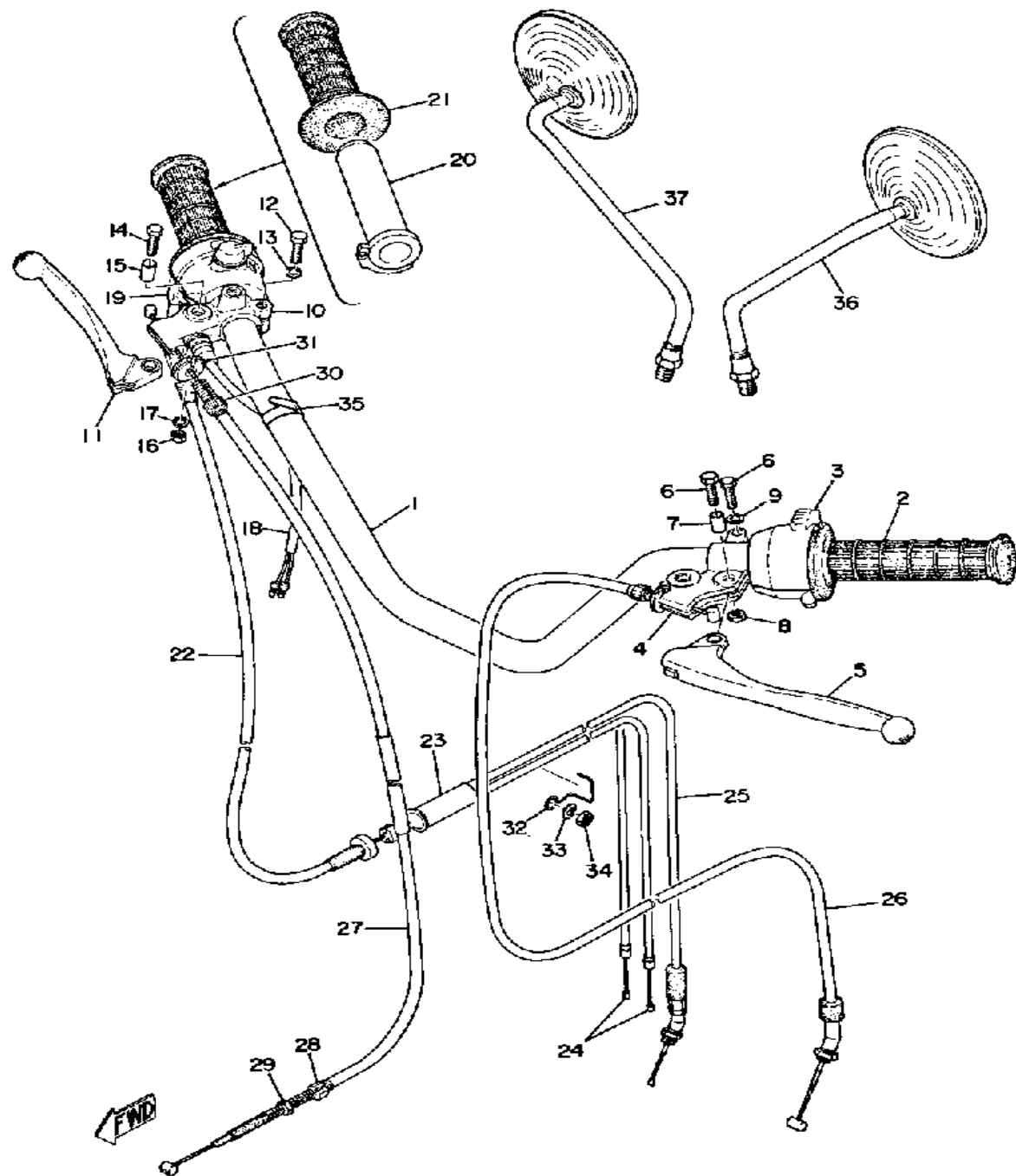
Ref. No.	Part Number	Description	Qty	Remarks
28	355-85111-01-00	REFLECTOR, FRONT 1	2	
29	92990-05100-00	WASHER, SPRING	2	
30	92990-05200-00	WASHER, PLAIN	2	
31	(90338-09060-00)	PLUG, SPEC'L SHAPE	2	
-1	(396-23101-00-00)	FRONT FORK ASSEMBLY	1	

# STEERING



Ref. No.	Part Number	Description	Qty	Remarks
1	156-23411-00-00	RACE, BALL 1 .....	1	
2	156-23412-00-00	RACE, BALL 2 .....	1	
3	183-23412-00-00	RACE, BALL 2 .....	1	
4	183-23411-00-00	RACE, BALL 1 .....	1	
5	93501-04011-00	BALL .....	38	
6	136-23415-00-00	COVER, BALL RACE 1 .....	1	
7	90179-25033-00	NUT .....	1	
8	(307-23435-00-98)	CROWN, HANDLE .....	1	FROSTING BLACK
9	164-23441-00-98	HOLDER, HANDLE UPPER ...	1	FROSTING BLACK
10	97313-08035-00	BOLT, HEXAGON .....	4	
11	92990-08100-00	WASHER .....	4	
12	90209-17057-00	WASHER, SPEC'L SHAP ....	1	
13	90176-16016-00	NUT, CROWN .....	1	
14	(122-23480-01-00)	STEERING LOCK ASSEMBLY .	1	
15	(122-23483-00-00)	RIVET .....	1	

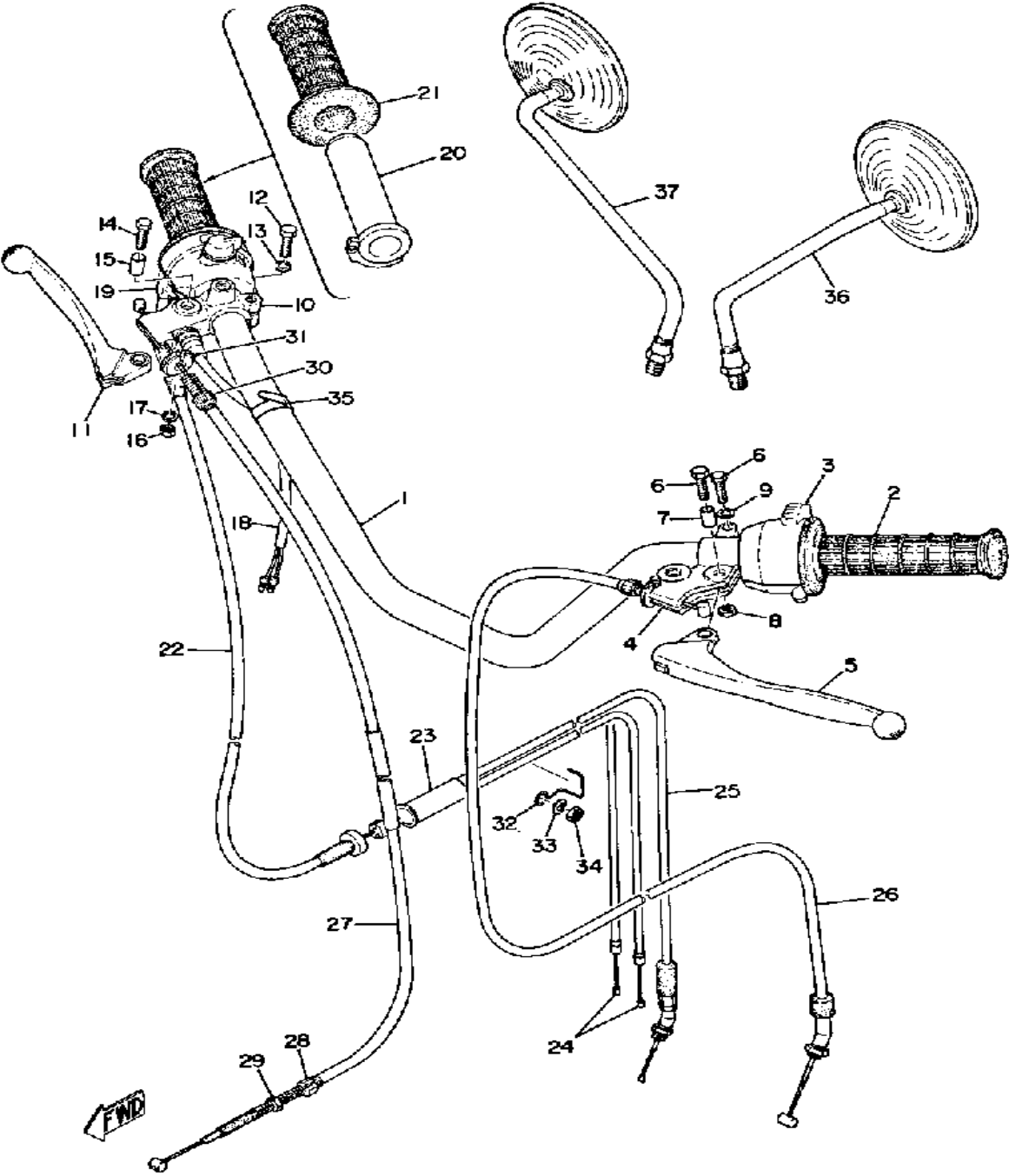
# HANDLE - WIRE



Ref. No.	Part Number	Description	Qty	Remarks
1	(337-26111-00-00)	HANDLEBAR .....	1	
2	341-26241-00-00	GRIP LH .....	1	
3	360-83973-02-00	SWITCH, HANDLE 3 .....	1	
4	341-82911-00-00	. HOLDER, LEVER 1 .....	1	
5	214-83912-00-00	. LEVER 1 .....	1	
6	97023-06020-00	. BOLT (3XF) .....	2	
7	214-83913-00-00	. COLLAR, LEVER 1 .....	1	
8	95380-06700-00	NUT .....	1	
9	92995-06100-00	. WASHER, SPRING .....	1	
10	361-82920-93-00	. HOLDER, LEVER 2 (36182-92131-00) .....	1	
11	233-83922-30-00	. LEVER R .....	1	
12	97023-06020-00	. BOLT (3XF) .....	1	
13	92995-06100-00	. WASHER, SPRING .....	1	
14	97023-06020-00	. BOLT (3XF) .....	1	
15	214-83913-00-00	. COLLAR, LEVER 1 .....	1	
16	95380-06700-00	. NUT .....	1	
17	92995-06100-00	. WASHER, SPRING .....	1	
18	395-83980-00-00	STOP SWITCH ASSEMBLY ...	1	
19	(507-83976-00-00)	SWITCH, HANDLE 1 .....	1	
20	214-26243-00-00	TUBE, THRTL GUIDE .....	1	
21	235-26242-10-00	GRIP RH .....	1	
22	507-26311-00-00	CABLE, THROTTLE 1 .....	1	
23	360-26261-01-00	CONNECTOR, CABLE .....	1	
24	397-26312-01-00	CABLE, THROTTLE 2 .....	2	
25	(396-26321-00-00)	CABLE, PUMP .....	1	
26	396-26335-10-00	CABLE, CLUTCH .....	1	
27	(396-26341-10-00)	CABLE, BRAKE .....	1	
28	90123-06011-00	BOLT .....	1	

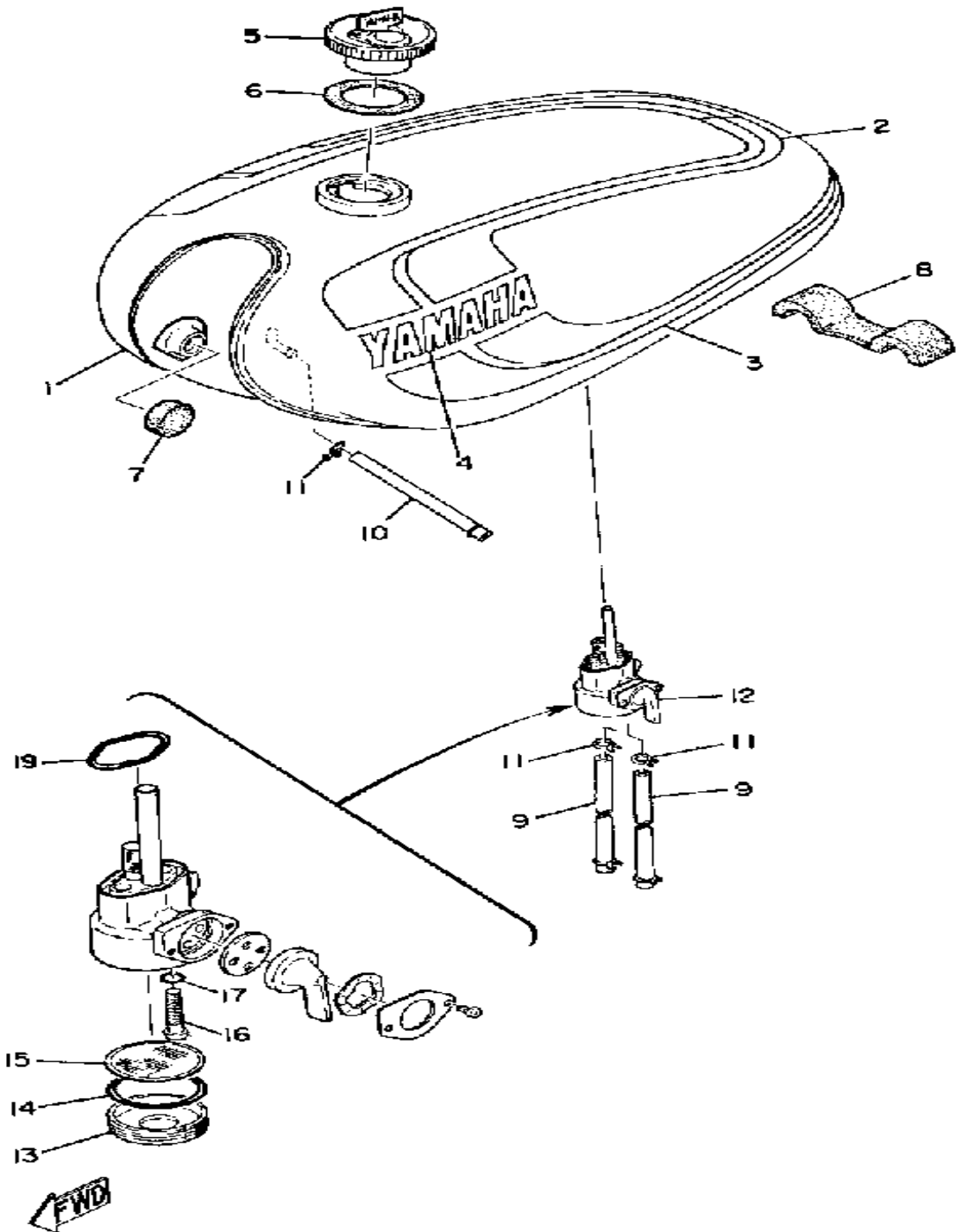
CONTINUED ON NEXT FRAME ►

# HANDLE - WIRE



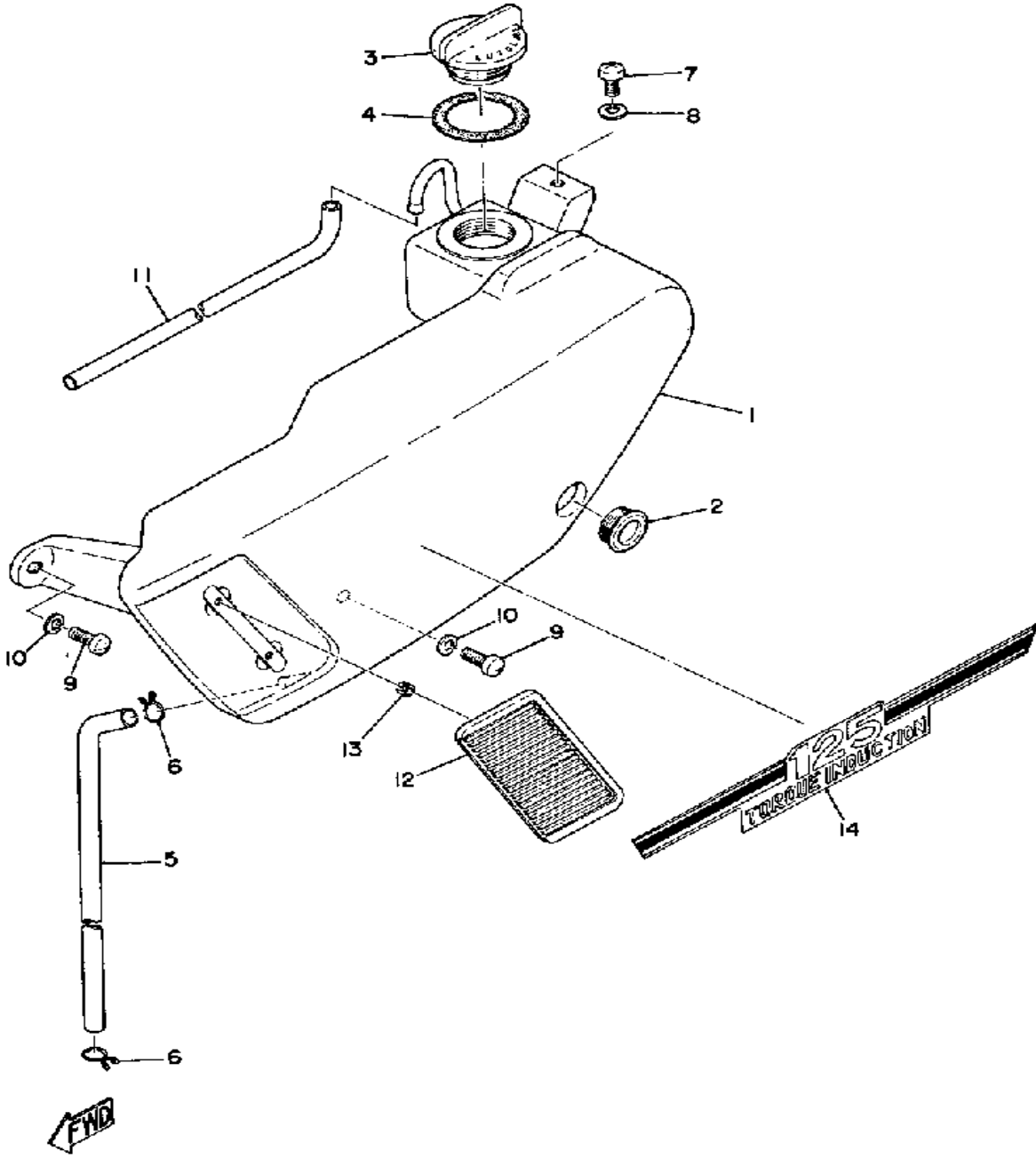
Ref. No.	Part Number	Description	Qty	Remarks
29	90179-06143-00	NUT, SPEC'L SHAPE	1	
30	90123-08046-00	BOLT	2	
31	90179-08148-00	NUT	2	
32	(326-26328-00-00)	GUIDE, CABLE	1	
33	92995-06100-00	WASHER, SPRING	1	
34	95380-06600-00	NUT	1	
35	437-83936-01-00	BAND, SWITCH CORD	2	
36	341-26290-10-00	MIRROR ASSEMBLY LH	1	
37	341-26290-01-00	BACK MIRROR RH (341-26290-01)	1	ALTERNATE PART
-1	360-82910-02-00	LEVER HOLDER ASSEMBLY 1 (360-82910-00)	1	
-2	361-82920-93-00	HOLDER, LEVER 2 (36182-92131-00)	1	

# FUEL TANK



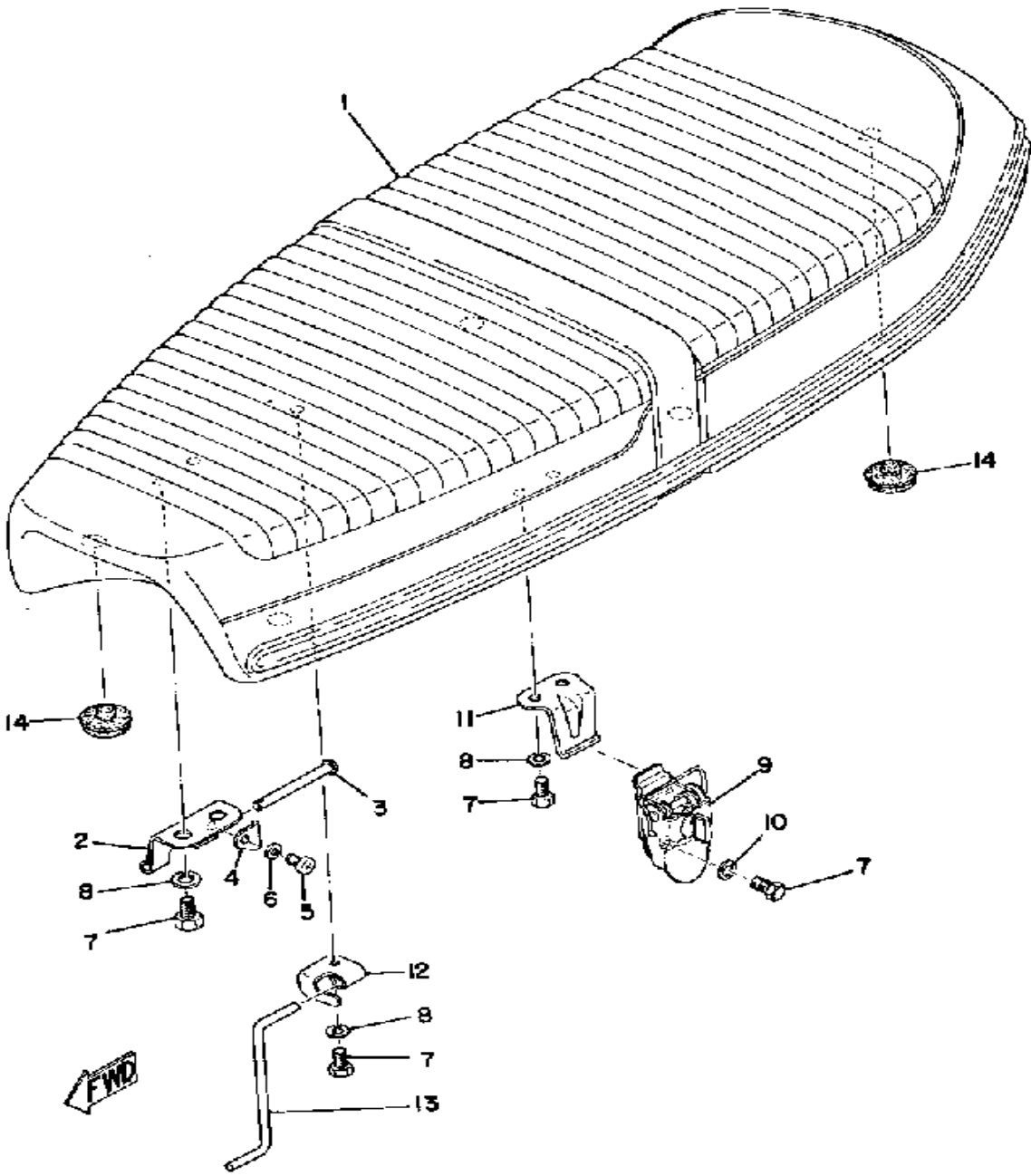
Ref. No.	Part Number	Description	Qty	Remarks
1	398-24110-11-W4	NO LONGER AVAILABLE	1	BRANDY RED METALLIC
2	(397-24254-20-00) (397-24255-20-00)	GRAPHIC, FUEL TNK 7 GRAPHIC, FUEL TNK 8	1 1	
3	(397-24256-20-00) (397-24257-20-00)	GRAPHIC, FUEL TNK 9 GRAPHIC, FUEL TANK 0	1 1	
4	322-24161-00-00	. EMBLEM 1	2	
5	3FR-24602-00-00	CAP ASSEMBLY.	1	
6	498-24612-00-00	. GASKET, CAP	1	
7	122-24181-00-00	DAMPER, LOCATING 1	2	
8	(307-24182-00-00)	DAMPER, LOCATING 2	1	
9	90445-09083-00	HOSE	2	
10	90445-09078-00	HOSE	1	
11	90467-08003-00	CLIP	6	
12	360-24500-00-00	FUEL COCK ASSEMBLY 1	1	
13	360-24521-00-00	. CUP, FILTER	1	
14	168-24522-00-00	. GASKET	1	
15	360-24515-00-00	. NET, FILTER 2	1	
16	98511-06025-00	. SCREW PAN HEAD (92501-06025)	2	
17	360-24512-00-00	. GASKET	2	
18	137-24523-00-00	. GASKET	1	
19	168-24512-00-00	. GASKET	1	

# OIL TANK



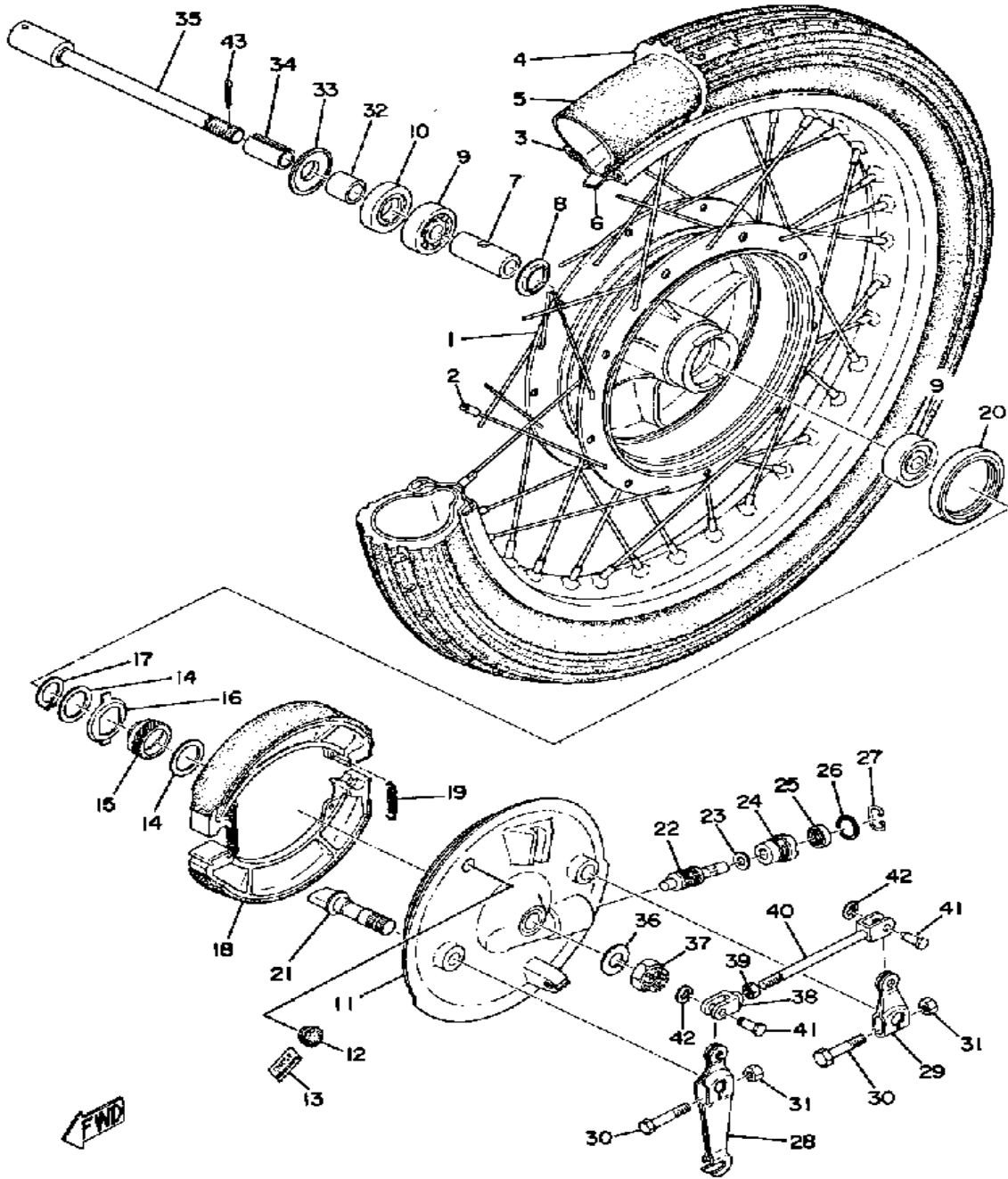
Ref. No.	Part Number	Description	Qty	Remarks
1	(396-21705-01-A9)	OIL TANK ASSEMBLY .....	1	BRANDY RED METALLIC
2	360-21761-00-00	. GAUGE, LEVEL .....	1	
3	214-21771-00-00	BODY, CAP .....	1	
4	90430-29114-00	GASKET .....	1	
5	(307-24319-00-00)	PIPE, OIL .....	1	
6	90467-08003-00	CLIP .....	2	
7	98580-06012-00	SCREW, PAN HEAD .....	1	
8	92995-06100-00	WASHER, SPRING .....	1	
9	98503-06014-00	SCREW, PAN HEAD (92502-06016) .....	2	
10	92995-06100-00	WASHER, SPRING .....	2	
11	90445-08047-00	HOSE (168-82112-00) .....	1	
12	(396-21781-01-00)	EMBLEM 1 .....	1	
13	90183-03006-00	NUT, SPRING .....	2	
14	(466-21783-20-00)	EMBLEM 3 .....	1	

# SEAT



Ref. No.	Part Number	Description	Qty	Remarks
1	(398-24730-02-00)	DOUBLE SEAT ASSEMBLY ...	1	
2	389-24726-00-33	HINGE, SEAT .....	2	YAMAHA BLACK
3	91701-05055-00	PIN, CLEVIS .....	2	
4	389-24756-00-00	COVER, TAIL .....	2	
5	98580-06010-00	SCREW, PAN HEAD (92503-06010) .....	2	
6	92995-06100-00	WASHER, SPRING .....	2	
7	97013-06012-00	BOLT .....	8	
8	92995-06100-00	WASHER, SPRING .....	7	
9	526-24705-00-00	SEAT LOCK ASSEMBLY .....	1	
10	90201-06038-00	WASHER, PLATE .....	1	
11	278-24728-00-00	BRACKET, SEAT .....	1	
12	(278-24748-00-00)	BRACKET, SEAT .....	1	
13	(337-24768-00-00)	STOPPER .....	1	
14	1L9-24741-00-00	PAD, SEAT .....	5	
1-1	(398-24731-00-00)	COVER, DOUBLE SEAT .....	1	

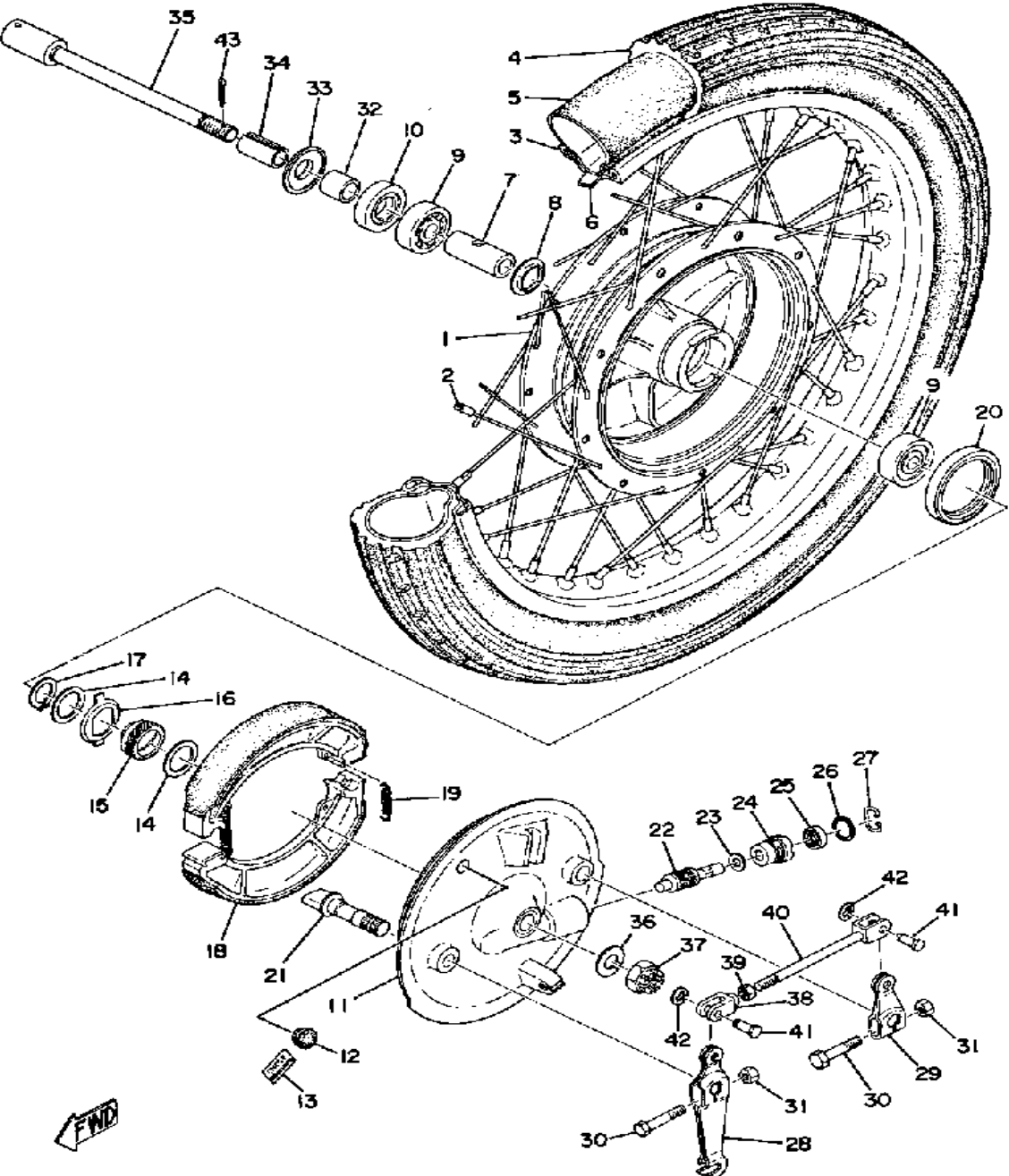
# FRONT WHEEL



Ref. No.	Part Number	Description	Qty	Remarks
1	(307-25111-00-00)	HUB, FRONT	1	
2	(307-25104-00-00)	SPOKE SET, FRONT	1	
3	(94414-18095-00)	RIM 1.40X 8	1	
4	(94127-18309-00)	275X18 YOKO Y5 6	1	
5	(94227-18010-00)	TUBE	1	
6	94325-18043-00	BAND, RIM	1	
7	90560-12261-00	SPACER	1	
8	109-25315-00-00	FLANGE, SPACER	1	
9	93306-30103-00	BEARING (B6301Z)	2	
10	93102-18008-00	OIL SEAL	1	
11	(507-25120-10-00)	BRAKE SHOE PLT ASSEMBLY	1	
12	90480-10068-00	. GROMMET	1	
13	(437-25134-00-00)	LABEL, INDICATOR	1	
14	90201-20269-00	WASHER, PLATE	2	
15	(307-25135-00-00)	GEAR, DRIVE	1	
16	183-25149-00-00	CLUTCH, METER	1	
17	99009-20400-00	CIRCLIP	1	
18	21L-W2535-00-00	BRAKE SHOE SET	2	
19	90506-17328-00	SPRING, TENSION	2	
20	93105-47007-00	OIL SEAL	1	
21	(183-25351-00-00)	CAMSHAFT	2	
22	(307-25138-00-00)	GEAR, METER	1	
23	90201-07076-00	WASHER, PLATE	1	
24	109-25136-00-00	BUSH	1	
25	93104-07003-00	OIL SEAL	1	
26	93210-14104-00	O-RING	1	
27	102-25137-00-00	RING, STOP	1	
28	(307-25155-00-00)	LEVER, CAMSHAFT 1	1	
29	(307-25156-00-00)	LEVER, CAMSHAFT 2	1	

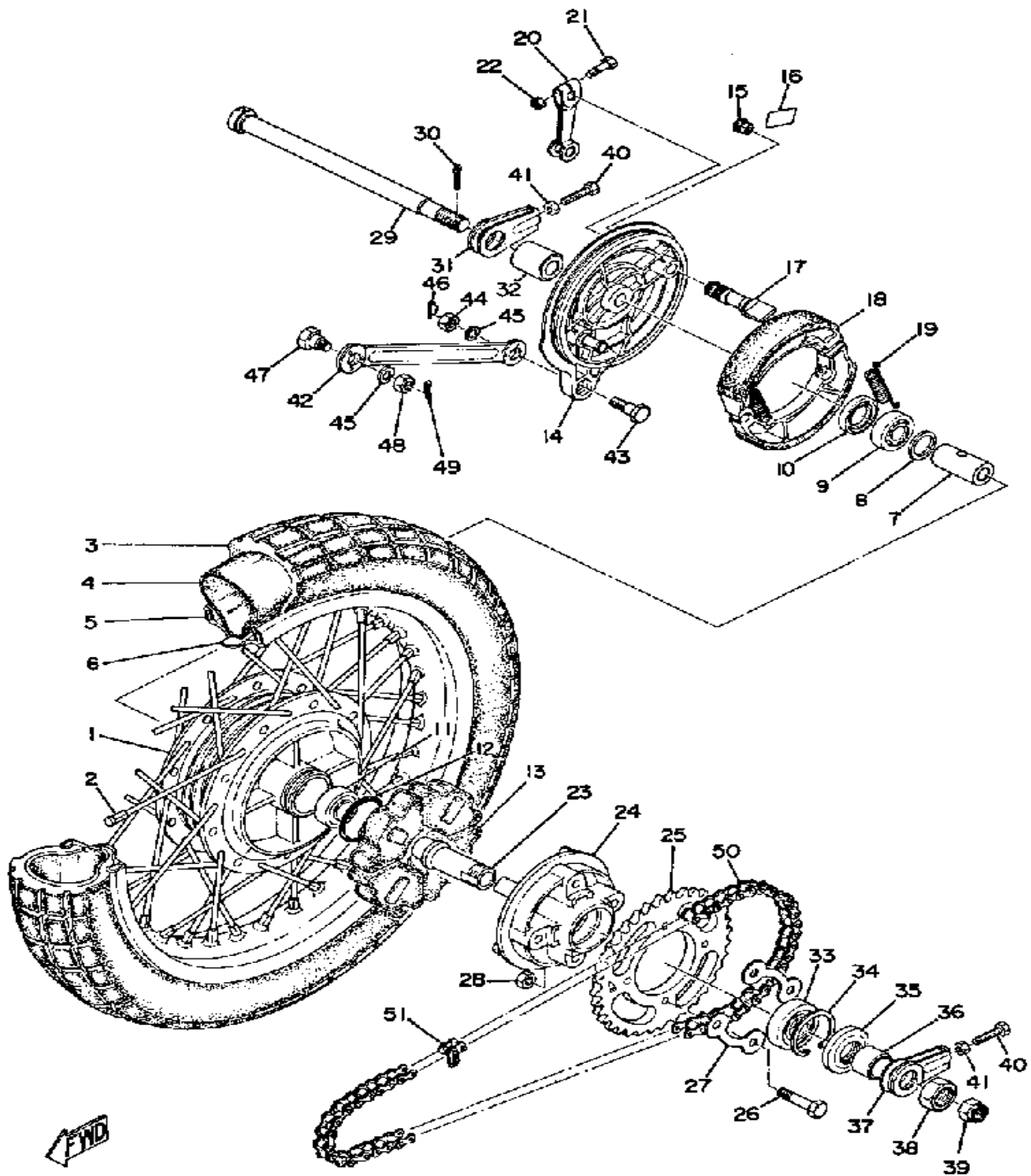
CONTINUED ON NEXT FRAME ►

# FRONT WHEEL



Ref. No.	Part Number	Description	Qty	Remarks
30	97021-06030-00	BOLT	2	
31	95380-06600-00	NUT	2	
32	90387-12095-00	COLLAR	1	
33	2K5-25118-00-00	COVER, HUB DUST	1	
34	90387-12099-00	COLLAR	1	
35	(382-25181-01-00)	AXLE, WHEEL	1	
36	92901-12100-00	WASHER, SPRING	1	
37	90171-12005-00	NUT, CASTLE	1	
38	152-25163-00-00	END, ROD 1	1	
39	95380-06700-00	NUT	1	
40	(307-25161-00-00)	ROD, CONNECTING	1	
41	90249-06095-00	PIN, SPEC'L SHAPE	2	
42	99080-04600-00	CIRCLIP (E)	2	
43	91401-30030-00	PIN, COTTER	1	

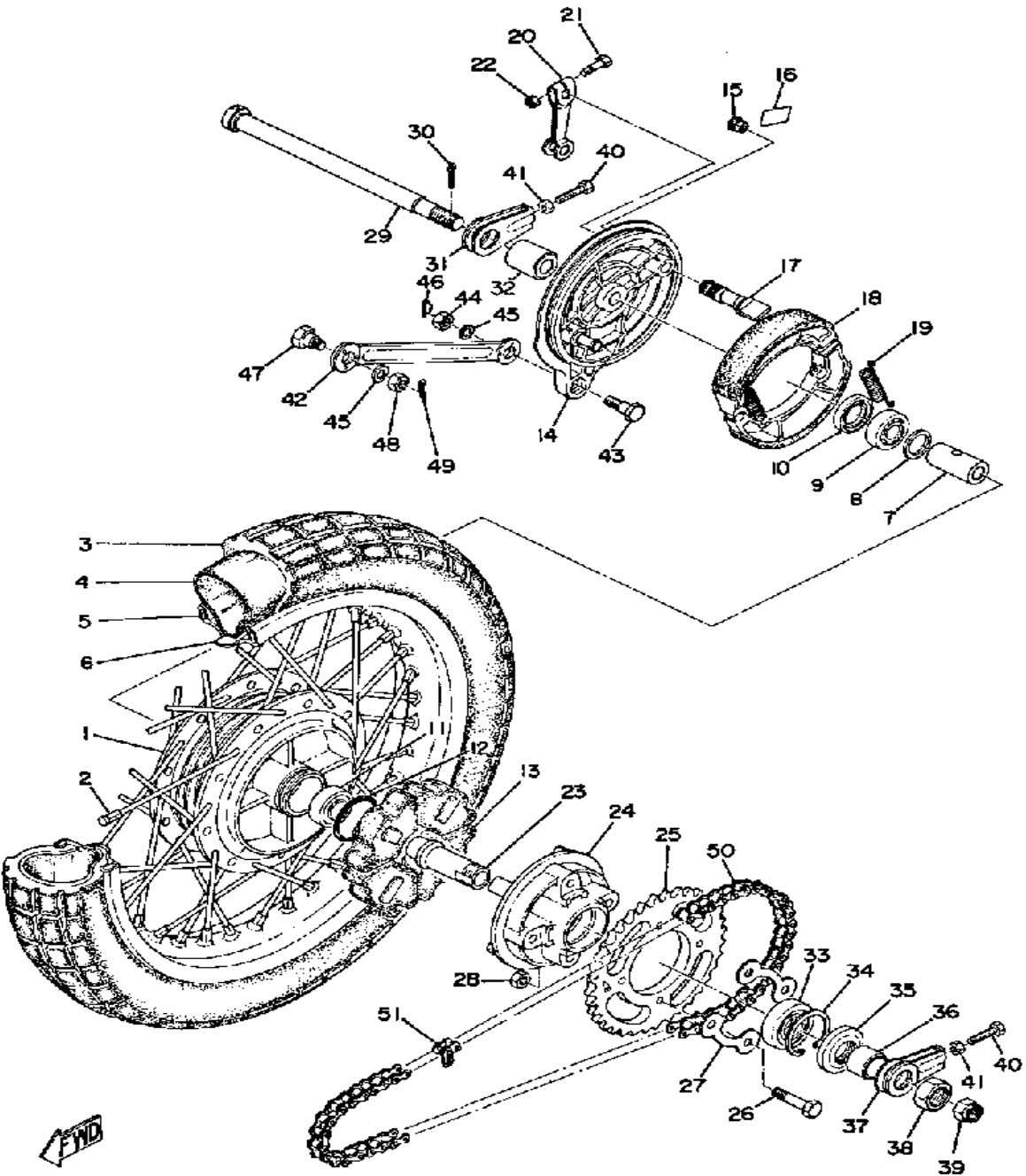
# REAR WHEEL



Ref. No.	Part Number	Description	Qty	Remarks
1	183-25311-00-38	HUB, REAR	1	
2	(183-25396-90-00)	SPOKE SET, INNER 2	18	
	(183-25397-90-00)	SPOKE SET, OUTER 2	18	
	183-25304-01-00	SPOKE SET, REAR	1	
3	(94130-18310-00)	300X18 YOKO Y93C	1	
4	94230-18084-00	TUBE	1	
5	(94416-18018-00)	RIM 1.60X 8	1	
6	94325-18043-00	BAND, RIM	1	
7	90560-15136-00	SPACER (136-25317-00)	1	
8	146-25116-00-00	FLANGE, SPACER 2	1	
9	93306-20211-00	BEARING (6202SH2-C3)	1	
10	93104-22018-00	OIL SEAL	1	
11	93306-20204-00	BEARING (B6202Z)	1	
12	93210-42101-00	O-RING	1	
13	304-25364-01-00	DAMPER	4	
14	(507-25320-10-00)	BRAKE SHOE PLT ASSEMBLY	1	
15	90480-10068-00	. GROMMET	1	
16	(437-25134-00-00)	LABEL, INDICATOR	1	
17	(183-25351-00-00)	CAMSHAFT	1	
18	437-W2536-00-00	BRAKESHOE SET-2PCS	2	
19	90506-17328-00	SPRING, TENSION	2	
20	(307-25355-00-00)	LEVER, CAMSHAFT	1	
21	97011-06025-00	BOLT (97001-06025)	1	
22	95380-06600-00	NUT	1	
23	183-25387-00-00	AXLE, SPROCKET	1	
24	58K-25366-00-00	CLUTCH, HUB	1	
25	183-25437-20-00	SPROCKET, DRVN 37T	1	U.R.
	183-25438-10-33	SPROCKET, DRIVN 38T	1	U.R.
	183-25439-20-00	SPROCKET, DRIVN 39T	1	U.R.äSTD

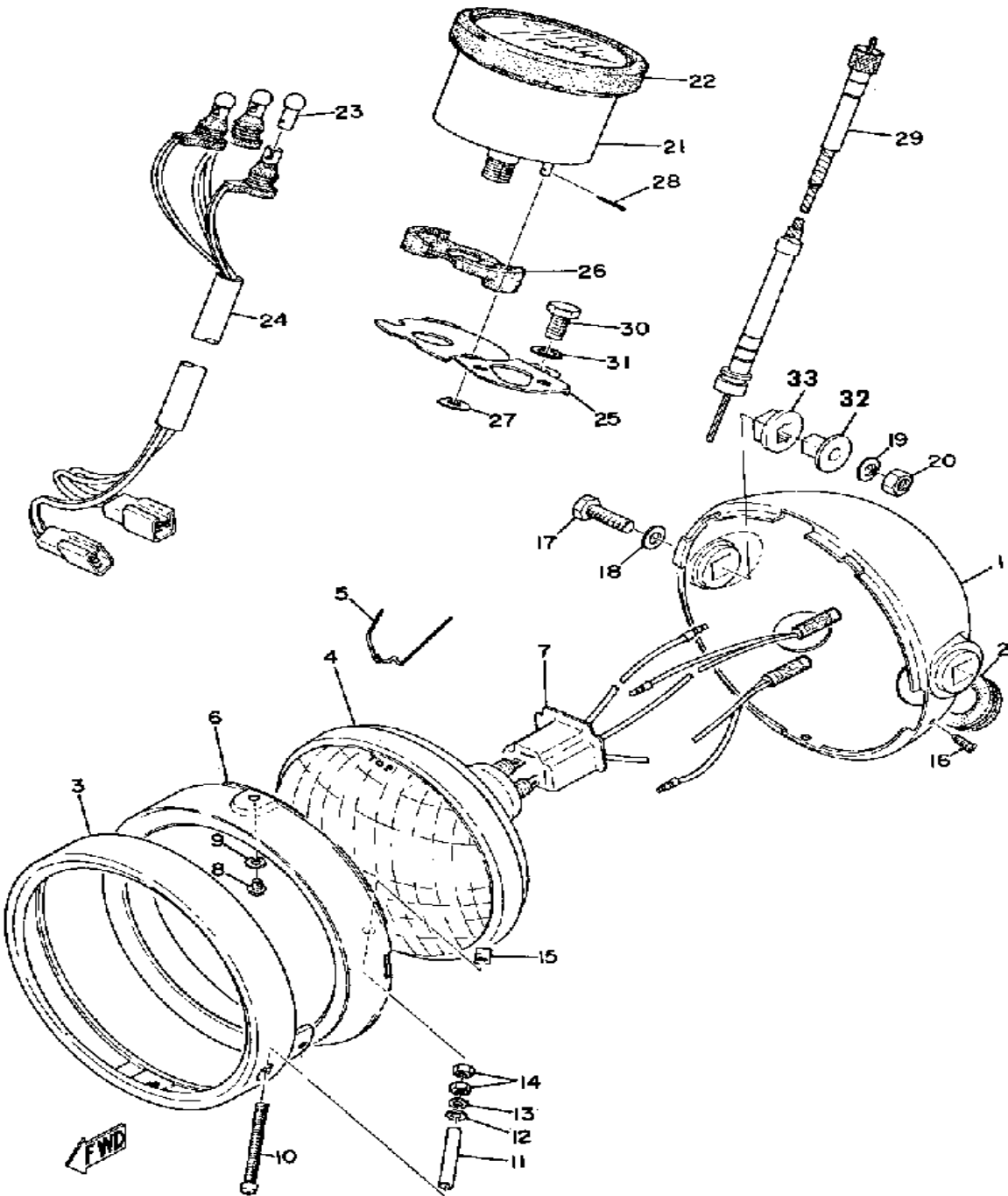
CONTINUED ON NEXT FRAME ➤

# REAR WHEEL



Ref. No.	Part Number	Description	Qty	Remarks
26	90109-08507-00	BOLT	4	
27	102-25412-00-00	WASHER	2	
28	95333-08600-00	NUT, HEXAGON	4	
29	382-25381-00-00	AXLE, WHEEL	1	
30	91401-30030-00	PIN, COTTER	1	
31	248-25388-00-00	PULLER, CHAIN 1	1	
32	90387-15425-00	COLLAR	1	
33	93306-00406-00	BEARING (B6004Z)	1	
34	99009-42500-00	CIRCLIP	1	
35	93106-26005-00	OIL SEAL	1	
36	90387-20165-00	COLLAR	1	
37	214-25388-00-00	PULLER, CHAIN 1	1	
38	90170-20167-00	NUT, HEXAGON (137-25385-00)	1	
39	90171-14020-00	NUT, CASTLE	1	
40	90101-08699-00	BOLT	2	
41	95303-08700-00	NUT	2	
42	(307-25371-00-00)	BAR, TENSION	1	
43	90109-08063-00	BOLT	1	
44	95303-08700-00	NUT	1	
45	92990-08100-00	WASHER	2	
46	90468-10050-00	CLIP	1	
47	90109-08369-00	BOLT	1	
48	95333-08600-00	NUT, HEXAGON	1	
49	91490-20020-00	PIN, COTTER	1	
50	94580-24116-00	428 STD 116L	1	
51	94680-24001-00	. CHAIN JOINT (DID 428)	1	

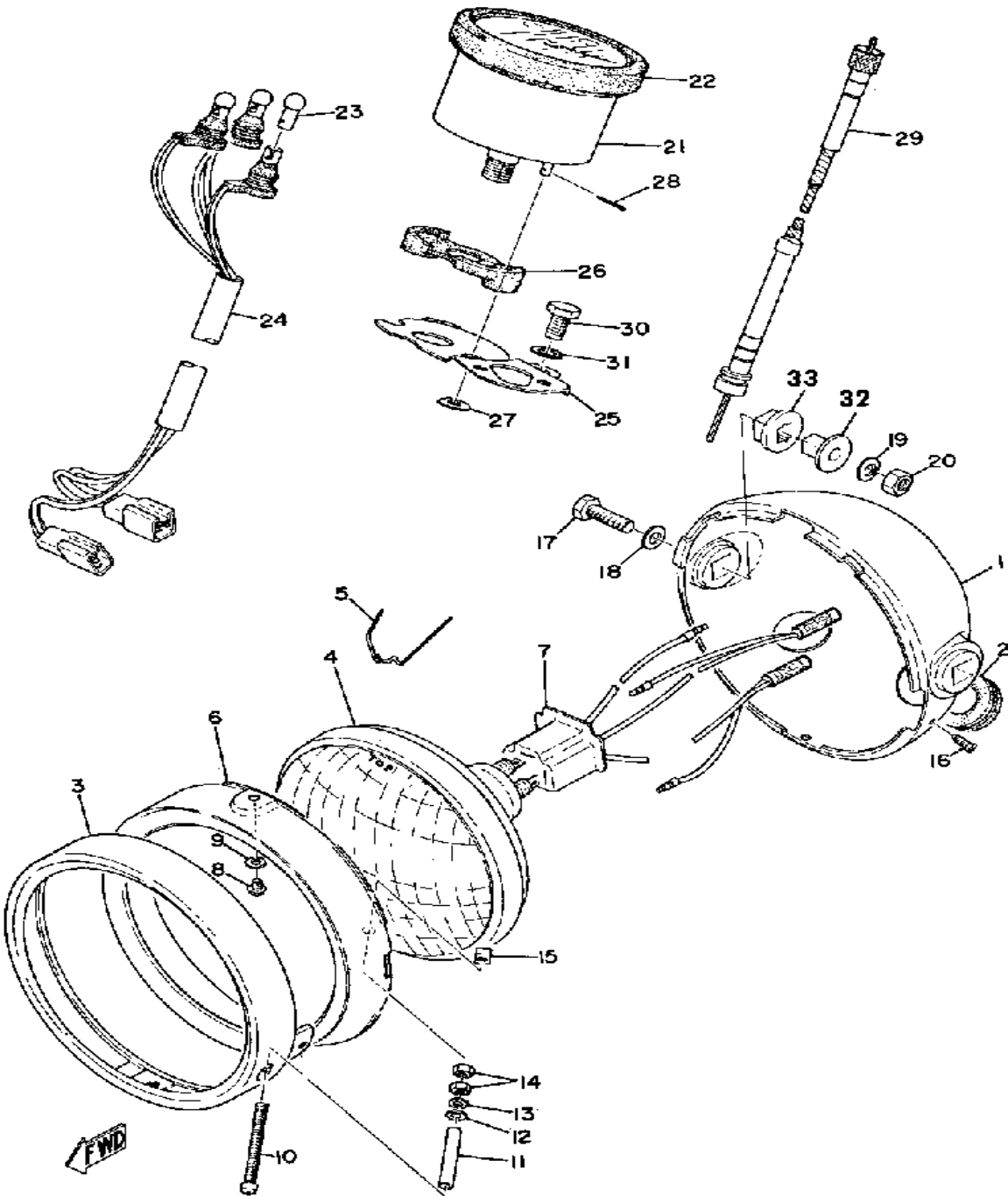
# HEAD LAMP - SPEEDOMETER



Ref. No.	Part Number	Description	Qty	Remarks
1	(507-84330-60-A9)	BODY ASSEMBLY .....	1	BRANDY RED METALLIC
2	150-84153-00-00	. GROMMET, WRHRNES .....	2	
3	498-84115-60-00	. RIM, HEADLIGHT .....	1	
4	507-84320-62-00	. LENS ASSEMBLY (507-84320-61) .....	1	
5	507-84324-60-00	. SPRING, REFLECTOR .....	3	
6	498-84195-60-00	. RING, RETAINING .....	1	
7	246-84312-60-00	. SOCKET .....	1	
8	438-84194-60-00	. RING, MOUNTING .....	2	
9	92990-05100-00	. WASHER, SPRING .....	2	
10	90157-04001-00	. SCREW, PAN HEAD .....	1	
11	438-84133-60-00	. COLLAR, SCREW .....	1	
12	92990-04200-00	. WASHER, PLAIN .....	1	
13	92901-04100-00	. WASHER, SPRING .....	1	
14	95301-04600-00	. NUT .....	2	
15	198-84334-60-00	. NUT, ADJUSTING .....	1	
16	90152-05005-00	SCREW, COUNTERSUNK .....	1	
17	97013-08025-00	BOLT .....	2	
18	92990-08200-00	WASHER, PLAIN .....	2	
19	92990-08100-00	WASHER .....	2	
20	95333-08600-00	NUT, HEXAGON .....	2	
21	(507-83510-70-00)	SPEEDOMETER ASSEMBLY ..	1	MILE/H
22	336-83513-00-00	. DAMPER .....	1	
23	123-83516-21-00	. BULB (12V-3.4W) .....	4	
24	(507-83520-70-00)	SOCKET CORD ASSEMBLY ..	1	
25	(507-83519-00-33)	BRACKET, METER .....	1	
26	237-83523-00-00	DAMPER .....	1	YAMAHA BLACK
27	90209-05029-00	WASHER, SPEC'L SHAP (214-83524-00) .....	2	

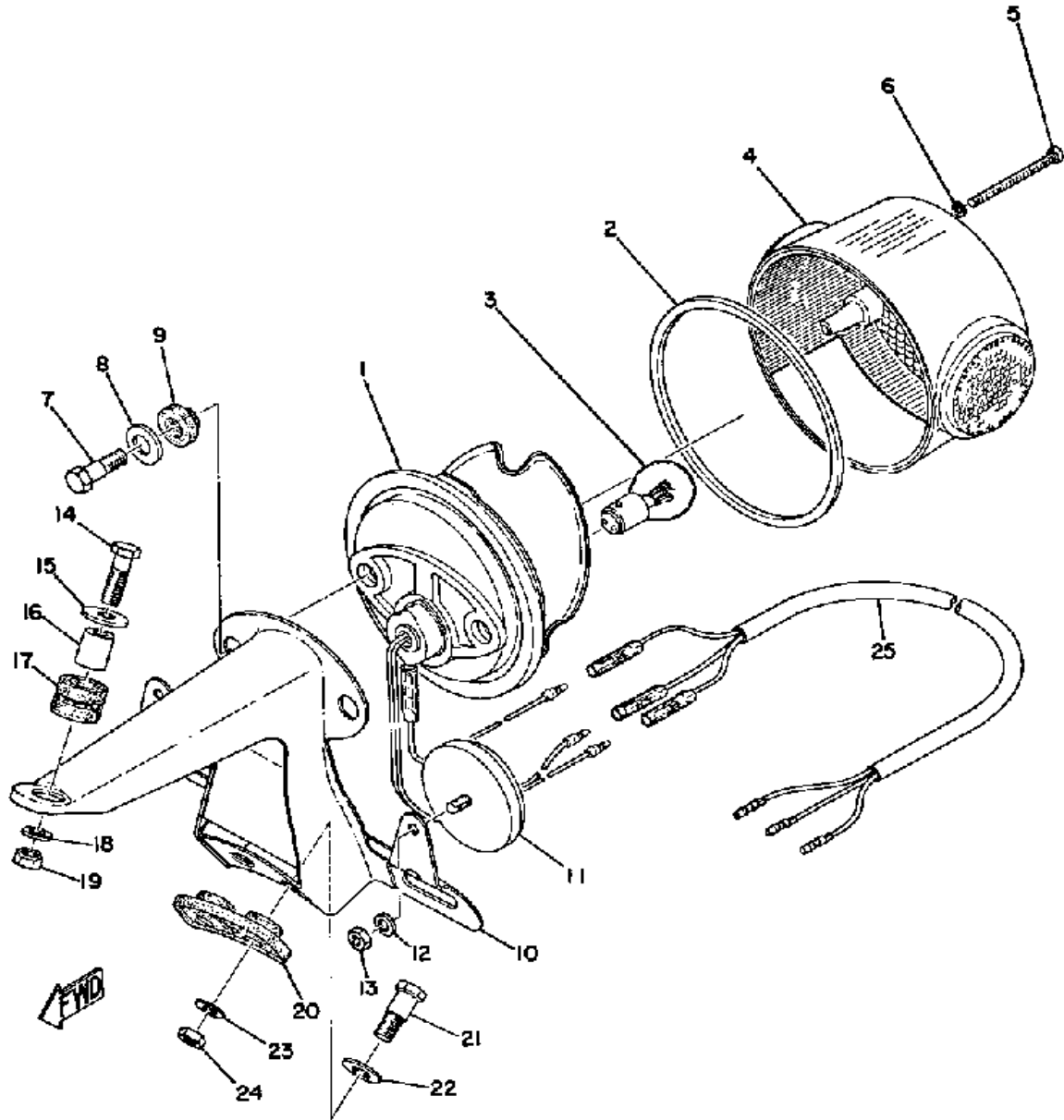
CONTINUED ON NEXT FRAME ►

# HEAD LAMP - SPEEDOMETER



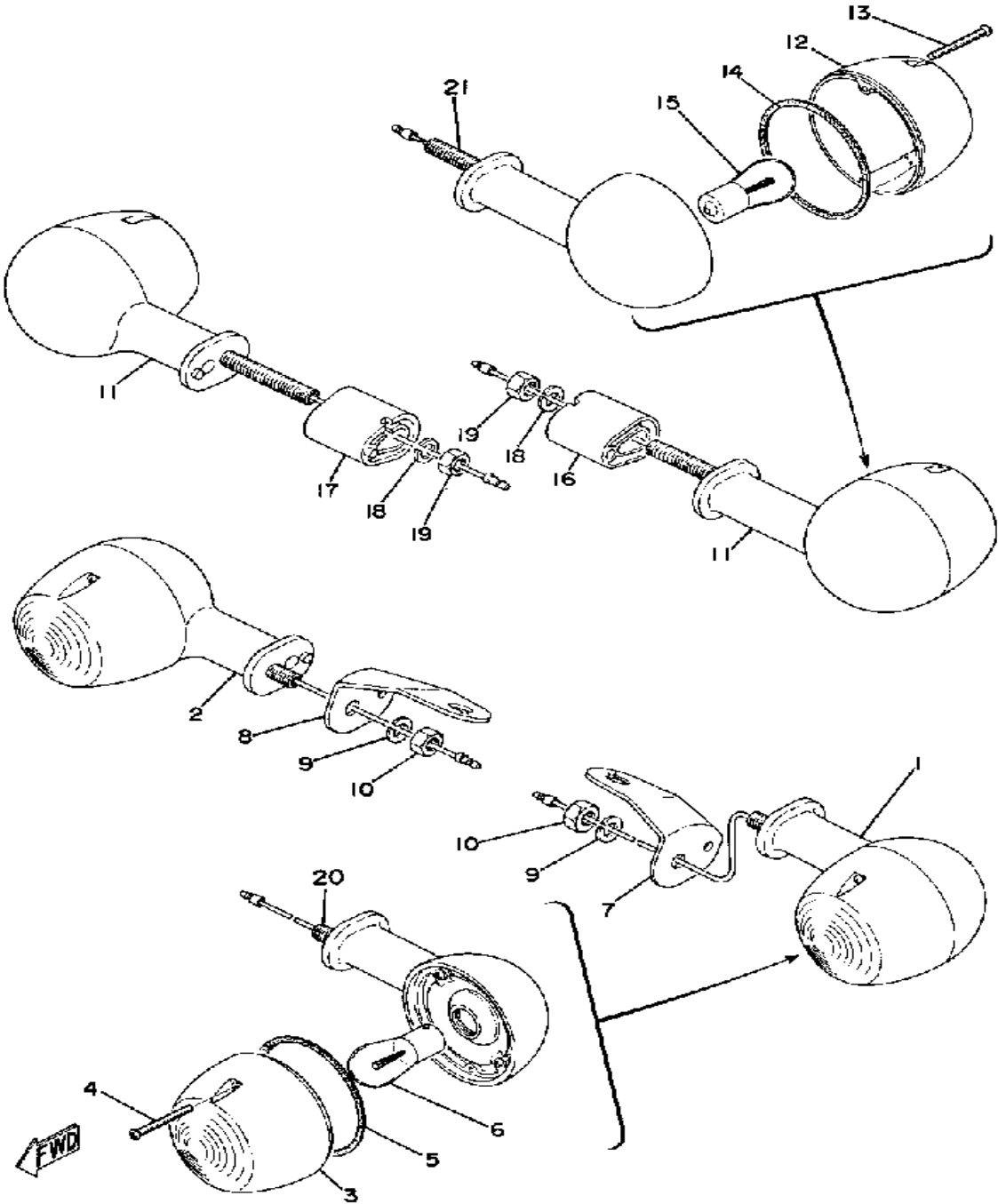
Ref. No.	Part Number	Description	Qty	Remarks
28	90468-10050-00	CLIP .....	2	
29	252-83550-01-00	SPEEDOMETER CABLE (252-83550-00) .....	1	
30	97313-08018-00	BOLT, HEXAGON (97301-08016)	2	
31	92990-08100-00	WASHER .....	2	
32	(507-84338-60-00)	COLLAR, BODY FTNG .....	1	M6-028
33	(214-84143-60-00)	DAMPER, HDLT STAY .....	1	M6-028
-1	UNA-VAILA-BL-EI	0 0 .....		

# TAIL LAMP



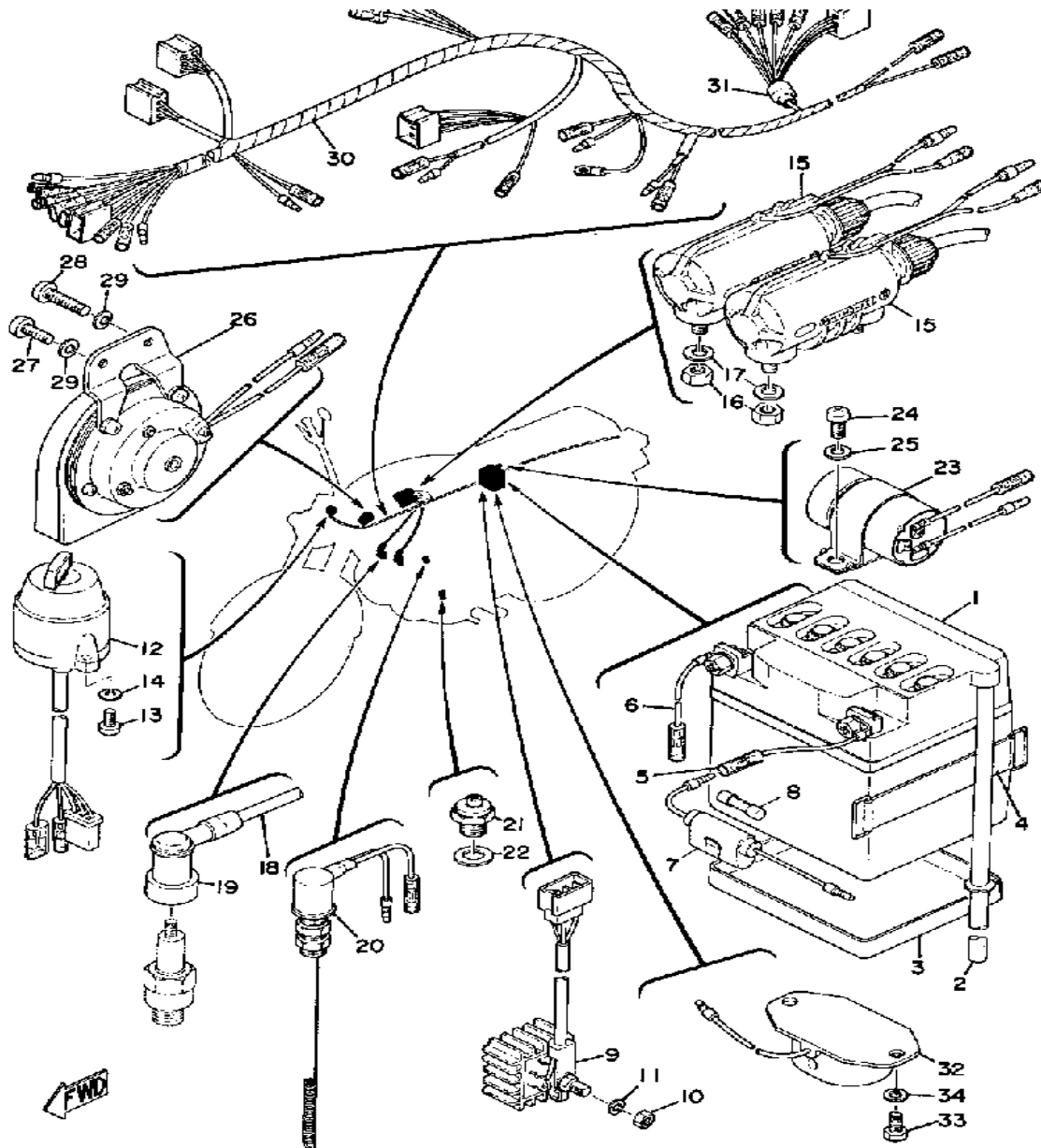
Ref. No.	Part Number	Description	Qty	Remarks
1	371-84710-61-00	. TAILLIGHT UNIT ASSEMBLY .	1	
2	275-84523-60-00	. GASKET, LENS . . . . .	1	
3	256-84714-61-00	. BULB (12V-27/8W) . . . . .	1	
4	341-84721-60-00	. LENS, TAILLIGHT . . . . .	1	
5	98580-04055-00	. SCREW, LENS FITTING . . . . .	3	
6	341-84722-60-00	. WASHER . . . . .	3	
7	(479-84526-00-00)	SCREW . . . . .	2	
8	2H7-84754-00-00	WASHER, SPECIAL . . . . .	2	
9	275-84527-60-00	DAMPER . . . . .	2	
10	341-84751-61-93	BRACKET, LICENSE . . . . .	1	SILVER
11	449-85131-02-00	REFLECTOR, REAR 1 . . . . .	2	
12	92990-05100-00	WASHER, SPRING . . . . .	2	
13	95380-05600-00	NUT . . . . .	2	
14	97011-06025-00	BOLT (97001-06025) . . . . .	1	
15	90209-06095-00	WASHER, SPEC'L SHAP (102-28323-00) . . . . .	1	
16	90387-07390-00	COLLAR . . . . .	1	
17	90480-14023-00	GROMMET . . . . .	1	
18	92995-06100-00	WASHER, SPRING . . . . .	1	
19	95380-06600-00	NUT . . . . .	1	
20	214-84553-01-00	DAMPER . . . . .	1	
21	90109-06017-00	BOLT . . . . .	2	
22	92990-08200-00	WASHER, PLAIN . . . . .	2	
23	92995-06100-00	WASHER, SPRING . . . . .	2	
24	95380-06600-00	NUT . . . . .	2	
25	(412-84517-00-00)	CORD, TAILLIGHT . . . . .	1	
-1	371-84710-61-00	TAILLIGHT UNIT ASSEMBLY . .	1	

# FLASHER LAMP



Ref. No.	Part Number	Description	Qty	Remarks
1	(137-83310-72-93)	FRT FLSHR LITE ASSEMBLY	1	
2	(137-83310-72-93)	FRT FLSHR LITE ASSEMBLY	1	
3	183-83312-70-00	. LENS, FLASHER	2	AMBER
4	183-83333-71-00	. SCREW, LENS FITTING	4	
5	183-83313-70-00	. GASKET, FLSHR LENS	2	
6	256-83311-70-XX	. BULB, TS 12V27W	2	
7	(507-83318-00-00)	STAY, FLASHER 1	1	
8	(507-83328-00-00)	STAY, FLASHER 2	1	
9	92990-08100-00	WASHER	2	
10	95333-08600-00	NUT, HEXAGON	2	
11	(397-83330-70-93)	R FLSHR LITE ASSEMBLY	2	
12	211-83332-75-00	. LENS, FLASHER	2	RED
13	183-83333-71-00	. SCREW, LENS FITTING	4	
14	183-83313-70-00	. GASKET, FLSHR LENS	2	
15	256-83311-70-XX	. BULB, TS 12V27W	2	
16	260-83316-30-00	COLLAR, FLASHER 1	1	
17	260-83326-30-00	COLLAR, FLASHER 2	1	
18	92990-08100-00	WASHER	2	
19	95333-08600-00	NUT, HEXAGON	2	
20	360-83367-09-00	BOLT, STUD	2	M4-091
21	341-83367-09-00	BOLT, STUD	2	M4-091

# ELECTRICAL

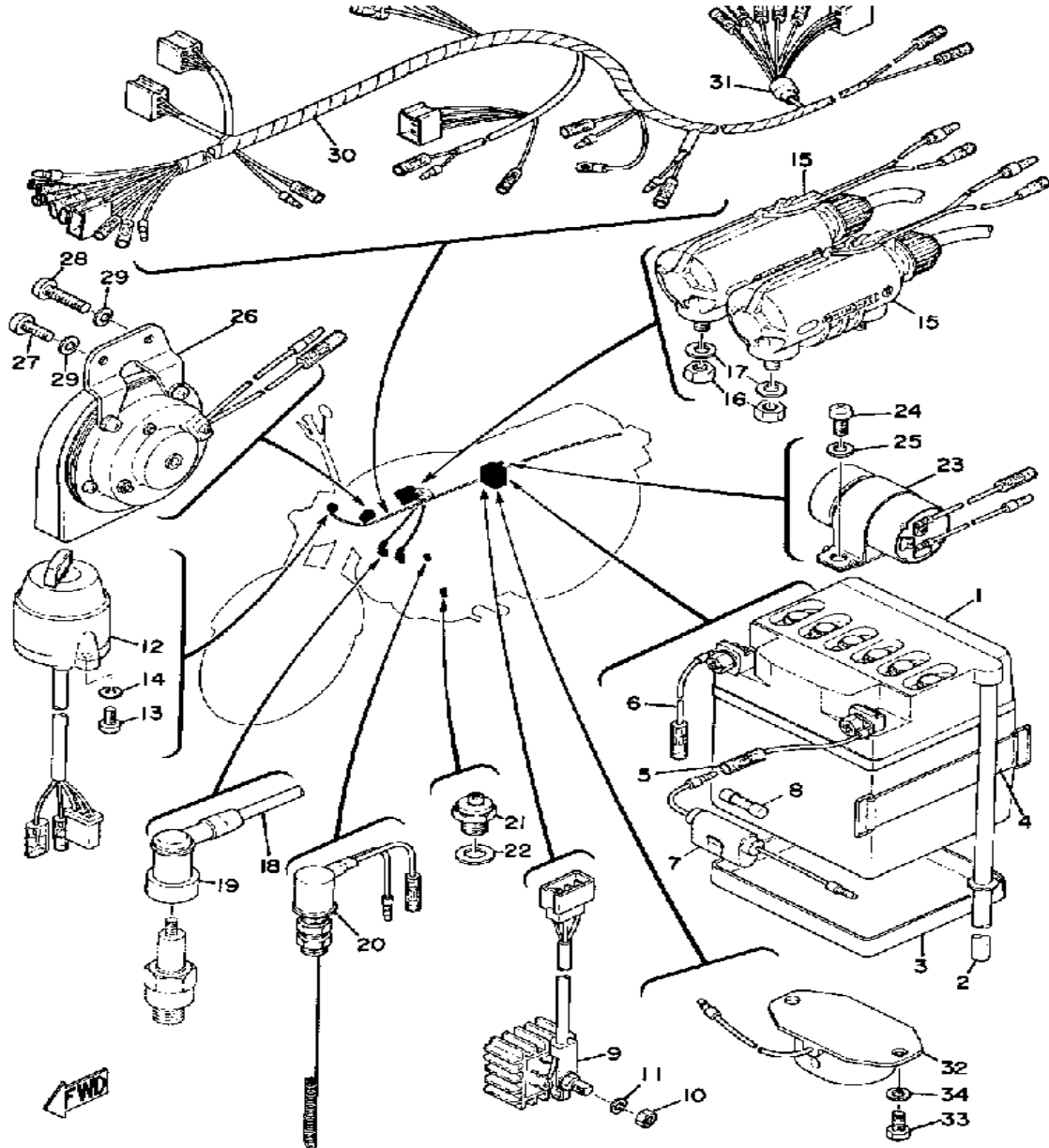


Ref. No.	Part Number	Description	Qty	Remarks
1	BTY-12N55-A3-B0	YUASA 12N5.5A-3B	1	
2	(170-82112-00-00)	PIPE, BREATHER	1	
3	(118-82122-00-00)	SEAT, BATTERY	1	
4	120-82131-00-00	BAND, BATTERY	1	
5	(307-82115-01-00)	WIRE, PLUS LEAD	1	
6	(396-82116-00-00)	WIRE, MINUS LEAD	1	
7	2UJ-82150-01-00	FUSE HOLDER ASSEMBLY (2UJ-82150-00-00)	1	
8	1A0-82161-00-00	. FUSE (20A) (148-82151-00-00)	2	
9	357-81970-60-00	RECTIFIER ASSEMBLY	1	
10	95380-05600-00	NUT	1	
11	92990-05100-00	WASHER, SPRING	1	
12	507-82508-31-00	MAIN SWITCH ASSEMBLY	1	
13	98580-05010-00	SCREW, PAN HEAD	2	
14	92990-05100-00	WASHER, SPRING	2	
15	254-82310-60-00	IGNITION COIL ASSEMBLY	2	
16	95380-06600-00	NUT	4	
17	92995-06100-00	WASHER, SPRING	4	
18	137-82341-01-00	CORD, HIGH TENSION 1 (3AD-82341-00-00)	2	
19	56J-82370-00-00	PLUG CAP ASSEMBLY	1	
20	307-82530-09-00	STOP SWITCH ASSEMBLY	1	
21	136-82540-00-00	NEUTRAL SWITCH ASSEMBLY	1	
22	90430-12207-00	GASKET	1	
23	278-83350-71-00	FLASHER RELAY ASSEMBLY	1	
24	98580-06012-00	SCREW, PAN HEAD	1	
25	92995-06100-00	WASHER, SPRING	1	
26	(183-83371-21-00)	HORN	1	
27	98503-06014-00	SCREW, PAN HEAD (92502-06016)	1	

ELECTRICAL - Charging System (mfr) (type)	Hitachi	A.C. Generator	K10B-12
Field Coil (and/or) Charging Coil Resistance	Yellow to White:	0.6Ω	Green to White: 1.0Ω
Battery (mfr) (model) (rating)	F.B.	AYT2-12	12V5.5AH
Headlight/Taillight Ratings	12V30W/30W		12V8W/27W
Ign. Coil Min. Spark Gap/Pri. Res./Sec. Res.	6mm	4.0Ω	11.0KΩ
Condenser Capacity		0.15μf	
Point Gap /Spark Plug (type/gap)		0.3 ~ 0.4mm (.012 ~ .016")/NGK B-8HS/0.6 ~ 0.7mm	
Timing (advanced) (retarded)		1.8 ± 0.15mm BTDC / φ	

CONTINUED ON NEXT FRAME ►

# ELECTRICAL



Ref. No.	Part Number	Description	Qty	Remarks
28	98511-06025-00	SCREW PAN HEAD (92501-06025)	1	
29	92995-06100-00	WASHER, SPRING	2	
30	(507-82590-31-00)	WIRE HARNESS ASSEMBLY	1	
31	(307-82599-01-00)	COVER, CONNECTOR	1	
32	507-81910-60-00	VOLTAGE REG ASSEMBLY	1	
33	97011-06010-00	BOLT	2	
34	92995-06100-00	WASHER, SPRING	2	

ELECTRICAL - Charging System (mfr) (type)	Hitachi	A.C. Generator	K10B-12
Field Coil (and/or) Charging Coil Resistance	Yellow to White: 0.6Ω	Green to White: 1.0Ω	
Battery (mfr) (model) (rating)	F.B.	AYT2-12	12V5.5AH
Headlight/Taillight Ratings	12V30W/30W		12V8W/27W
Ign. Coil Min. Spark Gap/Pri. Res./Sec. Res.	6mm	4.0Ω	11.0KΩ
Condenser Capacity	0.15μf		
Point Gap /Spark Plug (type/gap)	0.3 ~ 0.4mm (.012 ~ .016")	NGK B-8HS/0.6 ~ 0.7mm	
Timing (advanced) (retarded)	1.8 ± 0.15mm BTDC / φ		

F-15  
**RD125B**

MOTORCYCLE  
M4-093

**1975 SERVICE DATA**

MODEL - IBM I.D. NUMBER	RD125B	507
Starting Engine and Frame Number	507-000101	
Basic Color (fuel tank)	Brandy Red Metallic	
Net Weight	228 lbs.	
<b>ENGINE (type, induction system)</b>	2-stroke, 7-port, Twin, Reed Valve, Air-cooled	
Bore x Stroke x Cylinder Displacement	43 x 43mm x 2	124cc (7.57 CID)
Compression Ratio	6.8:1	
Piston Skirt Clearance (new/max.)	.035 ~ .040mm (.0013 ~ .0016")/0.1mm (.004")	
Ring End Gap (top/2nd/3rd)	0.2 ~ 0.4mm (.008 ~ .016")/Same/φ	
Ring Groove Clearance (top/2nd/3rd)	.03 ~ .06mm (.0012 ~ .0024")/Same/φ	
Valve Clearance (eng. cold) Intake/Exhaust	φ	
<b>AUTOLUBE - Minimum Pump Stroke/Color Code</b>	0.20 ~ 0.25mm (.008 ~ .010")	Pink
<b>CARBURETOR (mfr) (type) (I.D. number)</b>	Teikei	Y18P-1C 46620
Main Jet	No. 94	
Needle Jet	N-80	
Jet Needle/Clip Position	4D50-2	
Cut Away	2.5	
Pilot Jet	No. 44	
Air Jet	2.0	
Starter Jet	No. 70	
Air Screw (turns out)	1½	
Float Level	20.0 ± 1.0mm	
Air Filter (type x quantity)	Wet Foam Rubber x 2	
<b>DRIVE - Primary (type) (teeth) (ratio)</b>	Helical Gear	74/19 3.894
Secondary (type) (teeth) (ratio)	DK428, 110L	39/14 2.785
Transmission Ratios 1st (teeth) (ratio) (O.A.)	35/11	3.181 34.522
2nd	29/16	1.812 19.665
3rd	26/20	1.300 14.105
4th	23/22	1.045 11.343
5th	21/25	0.840 9.114
6th	φ	
<b>CAPACITIES - Transmission</b>	750cc (25.4 oz.) SAE10W30 Oil (Yamalube 4-cycle)	
Oil Tank or Engine Sump	1.6 qts. Yamalube 2-cycle	
Fuel Tank	3.0 gals. Low Lead or Unleaded (Regular)	
Front Forks	137cc (4.6 oz.) 10, 20 or 30 wt. Fork and Shock Fluid*	
Rear Shocks	φ	
Tires (size/nominal pressure)	Front: 2.75-18/23psi	Rear: 3.00-18/28psi
<b>ELECTRICAL - Charging System (mfr) (type)</b>	Hitachi	A.C. Generator K108-12
No Load Voltage Adj. (AC & DC generators)	φ	
Max. Generator (Magneto) Output	N/A	
Field Coil (and/or) Charging Coil Resistance	Yellow to White: 0.6Ω	Green to White: 1.0Ω
Battery (mfr) (model) (rating)	F.B.	AYT2-12 12V5.5AH
Headlight/Taillight Ratings	12V30W/30W	12V8W/27W
Ign. Coil Min. Spark Gap/Pri. Res./Sec. Res.	6mm 4.0Ω	11.0KΩ
Condenser Capacity	0.15μf	
Point Gap /Spark Plug (type/gap)	0.3 ~ 0.4mm (.012 ~ .016")/NGK B-8HS/0.6 ~ 0.7mm	
Timing (advanced) (retarded)	1.8 ± 0.15mm BTDC / φ	

N/A = Information Not Available  
φ = Does Not Apply to This Model

\*Available from Yamaha Parts Distributors, Inc.

F-15  
**RD125B**

MOTORCYCLE  
M4-093

**1975 SERVICE DATA**

MODEL - IBM I.D. NUMBER	RD125B	507
Starting Engine and Frame Number	507-000101	
Basic Color (fuel tank)	Brandy Red Metallic	
Net Weight	228 lbs.	
<b>ENGINE (type, induction system)</b>	2-stroke, 7-port, Twin, Reed Valve, Air-cooled	
Bore x Stroke x Cylinder Displacement	43 x 43mm x 2	124cc (7.57 CID)
Compression Ratio	6.8:1	
Piston Skirt Clearance (new/max.)	.035 ~ .040mm (.0013 ~ .0016")/0.1mm (.004")	
Ring End Gap (top/2nd/3rd)	0.2 ~ 0.4mm (.008 ~ .016")/Same/φ	
Ring Groove Clearance (top/2nd/3rd)	.03 ~ .06mm (.0012 ~ .0024")/Same/φ	
Valve Clearance (eng. cold) Intake/Exhaust	φ	
<b>AUTOLUBE - Minimum Pump Stroke/Color Code</b>	0.20 ~ 0.25mm (.008 ~ .010")	Pink
<b>CARBURETOR (mfr) (type) (I.D. number)</b>	Teikei	Y18P-1C 46620
Main Jet	No. 94	
Needle Jet	N-80	
Jet Needle/Clip Position	4D50-2	
Cut Away	2.5	
Pilot Jet	No. 44	
Air Jet	2.0	
Starter Jet	No. 70	
Air Screw (turns out)	1½	
Float Level	20.0 ± 1.0mm	
Air Filter (type x quantity)	Wet Foam Rubber x 2	
<b>DRIVE - Primary (type) (teeth) (ratio)</b>	Helical Gear	74/19 3.894
Secondary (type) (teeth) (ratio)	DK428, 110L	39/14 2.785
Transmission Ratios 1st (teeth) (ratio) (O.A.)	35/11	3.181 34.522
2nd	29/16	1.812 19.665
3rd	26/20	1.300 14.105
4th	23/22	1.045 11.343
5th	21/25	0.840 9.114
6th	φ	
<b>CAPACITIES - Transmission</b>	750cc (25.4 oz.) SAE10W30 Oil (Yamalube 4-cycle)	
Oil Tank or Engine Sump	1.6 qts. Yamalube 2-cycle	
Fuel Tank	3.0 gals. Low Lead or Unleaded (Regular)	
Front Forks	137cc (4.6 oz.) 10, 20 or 30 wt. Fork and Shock Fluid*	
Rear Shocks	φ	
Tires (size/nominal pressure)	Front: 2.75-18/23psi	Rear: 3.00-18/28psi
<b>ELECTRICAL - Charging System (mfr) (type)</b>	Hitachi	A.C. Generator K108-12
No Load Voltage Adj. (AC & DC generators)	φ	
Max. Generator (Magneto) Output	N/A	
Field Coil (and/or) Charging Coil Resistance	Yellow to White: 0.6Ω	Green to White: 1.0Ω
Battery (mfr) (model) (rating)	F.B.	AYT2-12 12V5.5AH
Headlight/Taillight Ratings	12V30W/30W	12V8W/27W
Ign. Coil Min. Spark Gap/Pri. Res./Sec. Res.	6mm 4.0Ω	11.0KΩ
Condenser Capacity	0.15μf	
Point Gap /Spark Plug (type/gap)	0.3 ~ 0.4mm (.012 ~ .016")/NGK B-8HS/0.6 ~ 0.7mm	
Timing (advanced) (retarded)	1.8 ± 0.15mm BTDC / φ	

N/A = Information Not Available  
φ = Does Not Apply to This Model

\*Available from Yamaha Parts Distributors, Inc.



**TECHNICAL BULLETIN**