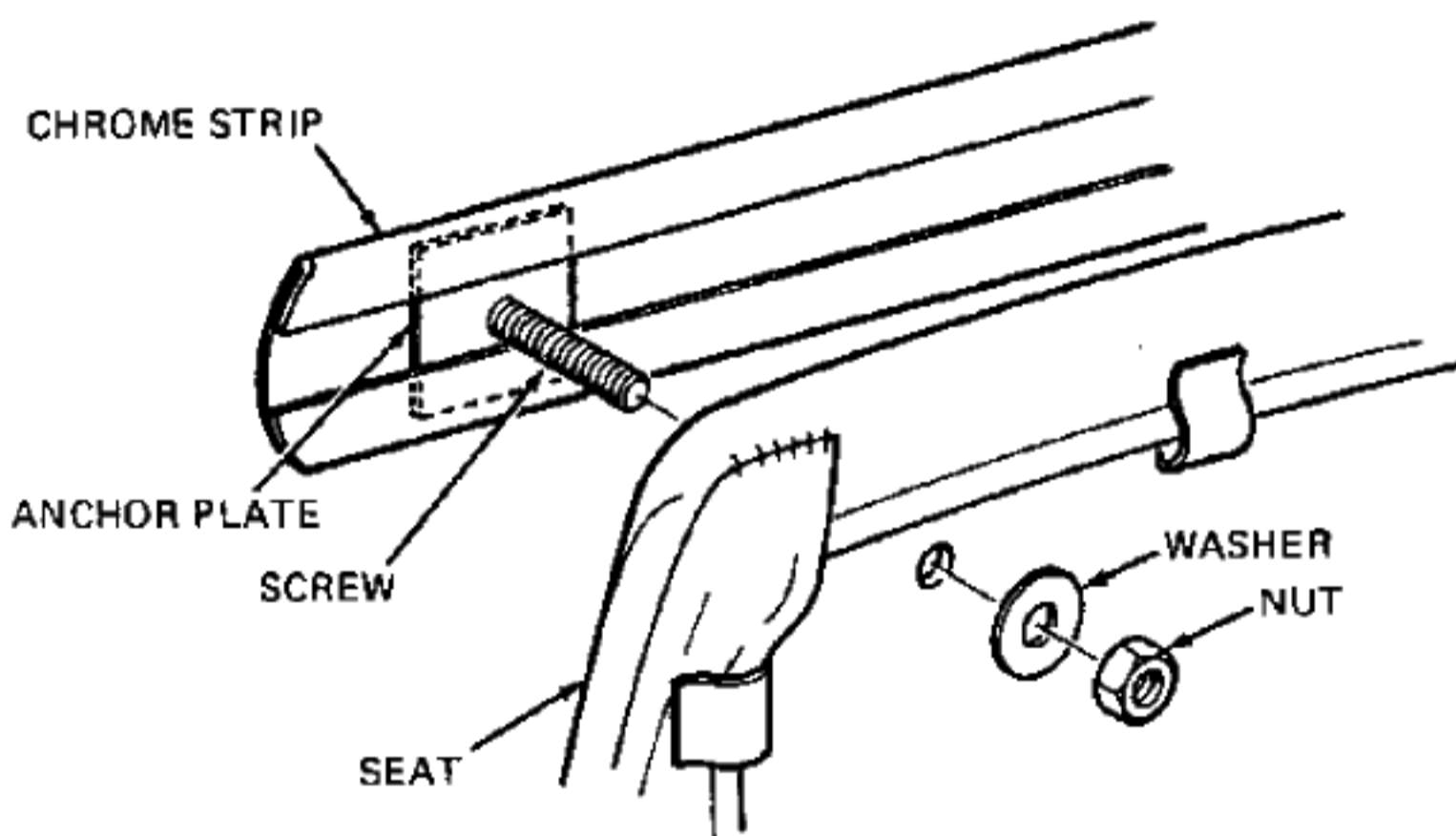


RD250/350

SEAT COVER AND ASSOCIATED PARTS

This bulletin supercedes Motorcycle Technical Bulletin M4-066.
Please destroy Technical Bulletin M4-066.

Replacement seat covers and associated hardware are now available. Please see drawing and ordering information below.



INSTALLATION

After new seat cover has been installed, bend end of screws over to keep nuts in place.

PARTS ORDERING

REF. NO.	PART NUMBER	DESCRIPTION	QTY.	PRICE
1	360-24731-02-00	DOUBLE SEAT COVER	1	
2	360-24700-00-00	SEAT COVER SCREW KIT*	1 Kit	

*Kit includes ten (10) each of the following: screws, anchor plates, washers and nuts.

WARRANTY

When seat cover requires warranty replacement, replace seat cover and associated hardware only; do not order seat assembly.

PROBLEM CODE: 45

JOB CODE: 5208

HOURS: 1.0 hours