

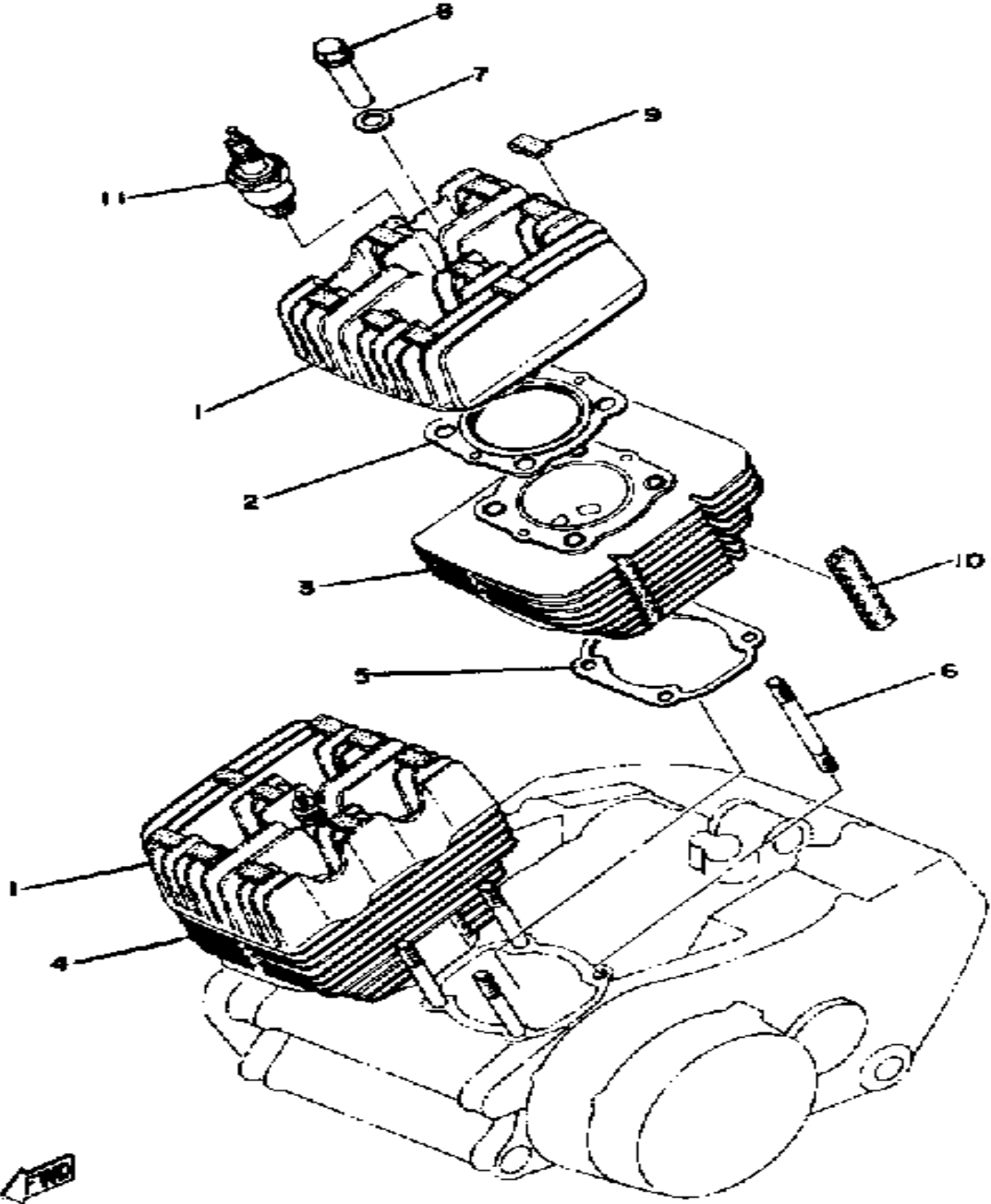
YAMAHA

GENUINE

PARTS CATALOGUE

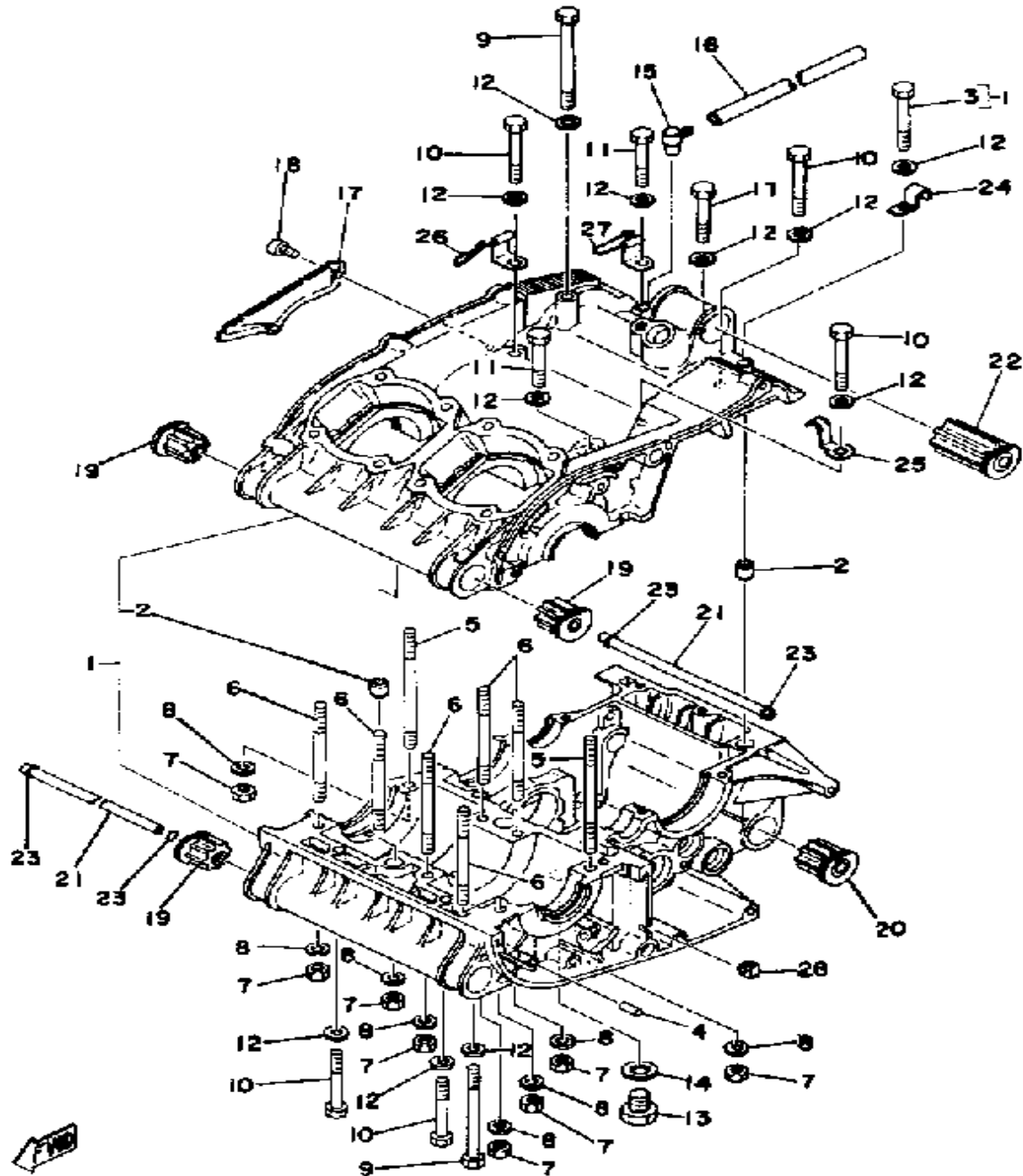
MOTORCYCLE

CYLINDER HEAD - CYLINDER



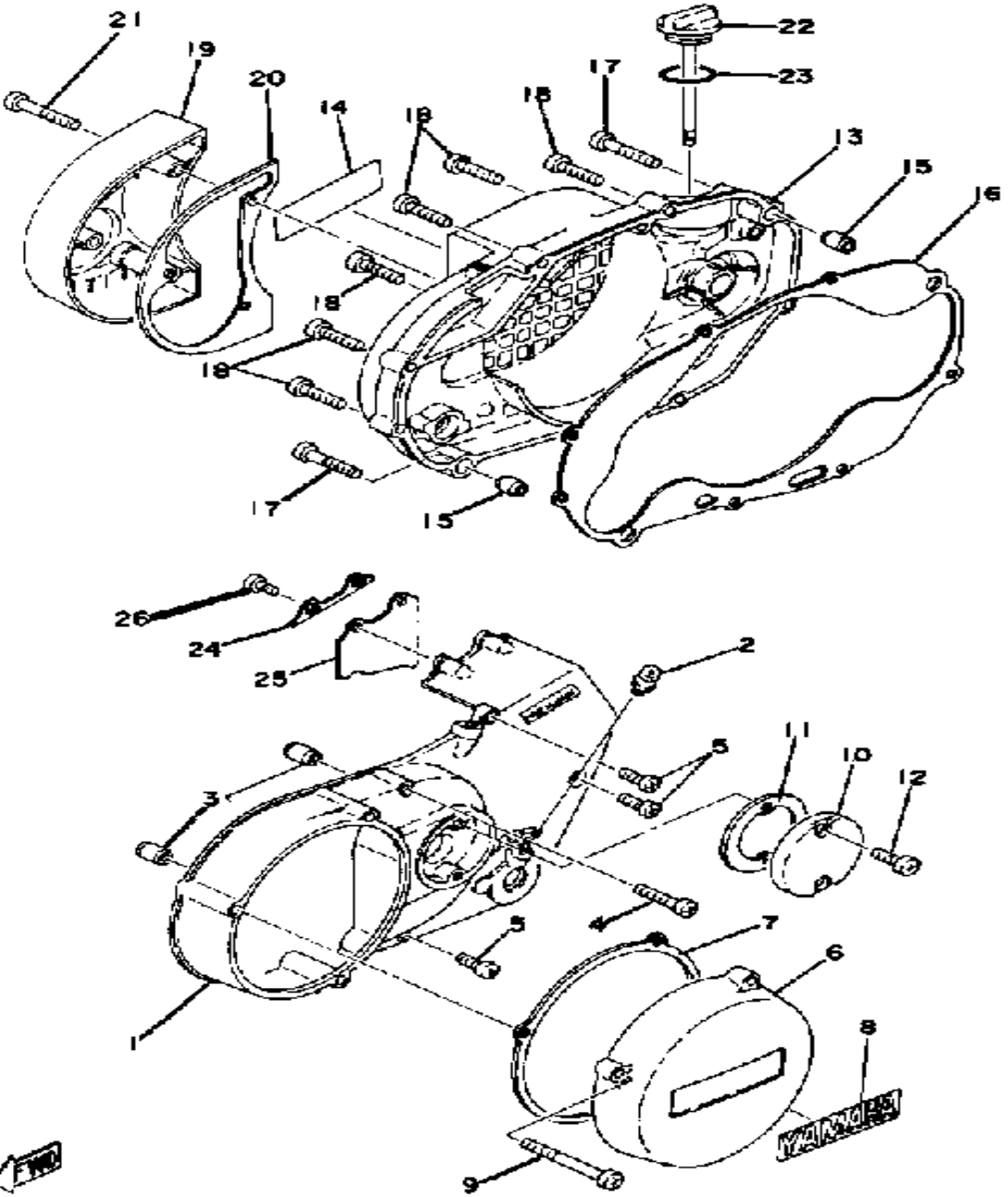
Ref. No.	Part Number	Description	Qty	Remarks
1	1A1-11111-00-00	HEAD, CYLINDER 1	2	
2	1A1-11181-00-00	GASKET, CYLINDER HEAD 1	2	
3	(1A1-11311-00-00)	CYLINDER 1	1	
4	1A1-11321-00-00	CYLINDER 2	1	
5	278-11351-01-00	GASKET, CYLINDER	2	
6	(1A1-00000-20-00)	GSKT KIT RD400C/D		SEE GRID H-1 FOR KIT COMPONENT
	90116-08232-00	BOLT, STUD	8	
7	90201-12362-00	WASHER, PLATE	8	
8	90179-08026-00	NUT, SPEC'L SHAPE	8	
9	521-11161-01-00	ABSORBER 1	18	
10	1A0-11162-02-00	ABSORBER 2 (1A0-11162-01)	4	
11	NGK-B8ES0-00-00	PLUG, SPARK (NGK B8ES)	2	

CRANKCASE



Ref. No.	Part Number	Description	Qty	Remarks
1	(1A1-15100-01-00)	CRANKCASE ASSEMBLY	1	
2	99510-12016-00	. PIN, DOWEL	2	
3	97313-06055-00	. BOLT, HEXAGON (97322-06055)	1	
4	93603-14026-00	PIN, DOWEL	1	
5	90116-08232-00	BOLT, STUD	2	
6	90116-08064-00	BOLT, STUD	6	
7	95333-08600-00	NUT, HEXAGON	8	
8	92990-08200-00	WASHER, PLAIN	8	
9	97311-06090-00	BOLT, HEXAGON	2	
10	97313-06055-00	BOLT, HEXAGON (97322-06055)	5	
11	97313-06045-00	BOLT (97021-06045-00)	3	
12	92990-06200-00	WASHER	11	
13	90109-14385-00	BOLT	1	
14	137-15353-00-00	GASKET, DRAIN	1	
15	583-15371-00-00	BREATHER	1	
16	90446-07241-00	HOSE (3AK)	1	
17	278-15492-01-00	COVER	1	
18	98580-05010-00	SCREW, PAN HEAD	2	
19	1A1-15316-00-00	DAMPER, ENG MOUNT 1	4	
20	1A1-15326-00-00	DAMPER, ENG MOUNT 2	2	
21	1A1-15317-00-00	SPACER, ENG MOUNT	2	
22	1A1-15336-00-00	DAMPER, ENG MOUNT 3	2	
23	93210-11073-00	O-RING	4	
24	90462-05005-00	CLAMP	1	
25	(90462-06025-00)	CLAMP	1	
26	(90465-06093-00)	CLAMP	1	
27	90465-06094-00	CLAMP	1	
28	90480-01148-00	GROMMET	1	

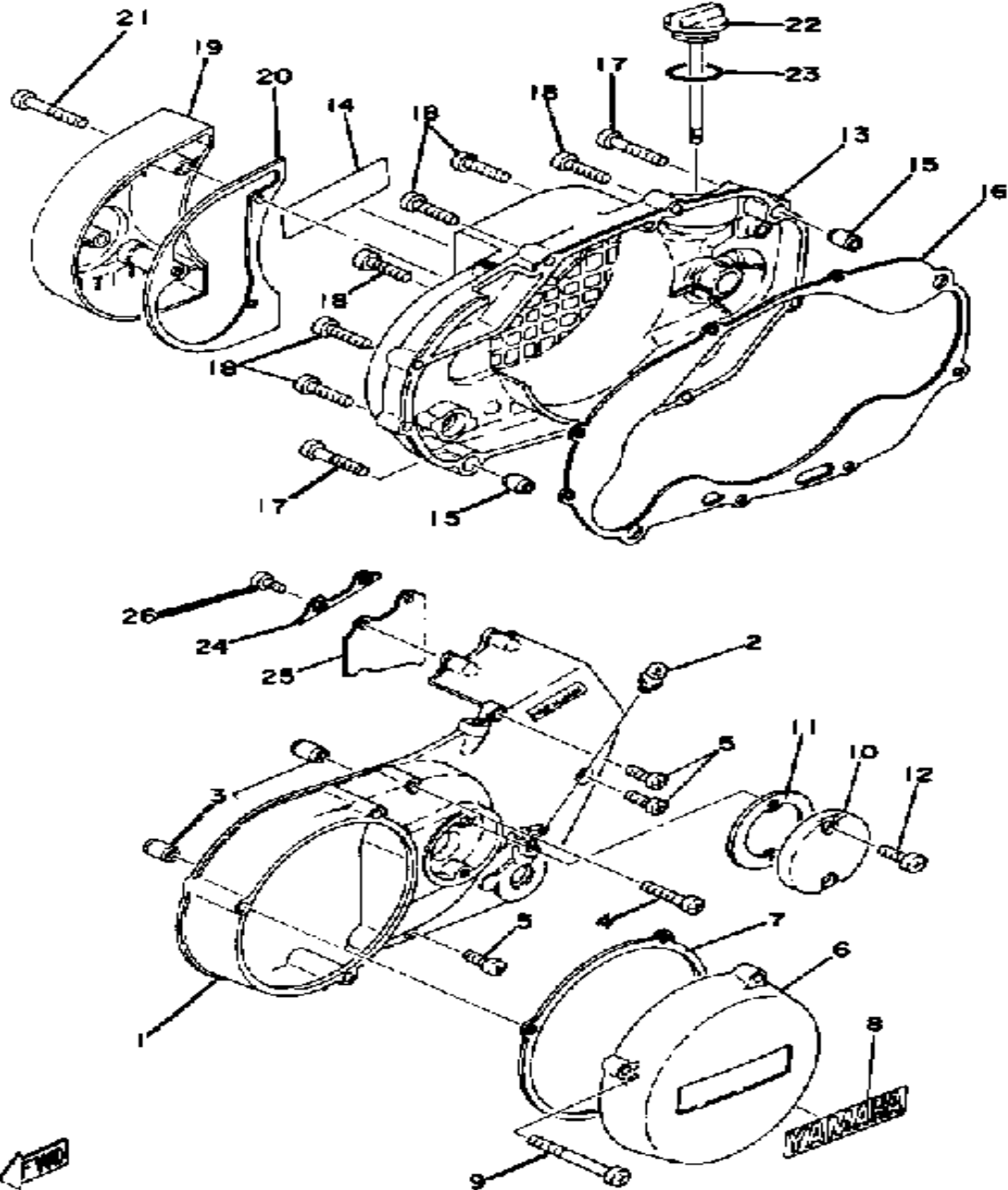
CRANKCASE COVER



Ref. No.	Part Number	Description	Qty	Remarks
1	1A1-15411-01-00	COVER, CRANKCASE L (1A1-15411-00)	1	
2	93700-06M03-00	NIPPLE, GREASE	1	
3	99510-12016-00	PIN, DOWEL	2	
4	98506-06035-00	SCREW, PAN HEAD	1	
5	92406-06020-00	UNAVAILABLE IN PRICE BOOK	3	
6	1A0-15415-00-00	COVER, GENERATOR	1	
7	(1A1-00000-20-00)	GSKT KIT RD400C/D		SEE GRID H-1 FOR KIT COMPONENT
	1A0-15455-00-00	GASKET 1	1	
8	1A0-15435-00-00	EMBLEM	1	
9	98506-06070-00	SCREW, PAN HEAD	3	
10	1A0-15417-00-00	COVER, CAP	1	
11	1A0-15457-00-00	GASKET	1	
12	98516-06020-00	SCREW, PAN HEAD	2	
13	1A0-15421-00-00	COVER, CRANKCASE R	1	
14	1A0-15435-00-00	EMBLEM	1	
15	99510-12016-00	PIN, DOWEL	2	
16	1A0-15461-00-00	GASKET, CRCS CVR 2	1	
17	98506-06040-00	SCREW, PAN HEAD	2	
18	98516-06030-00	SCREW, PAN HEAD	7	
19	1A0-15416-00-00	COVER, OIL PUMP	1	
20	(1A1-00000-20-00)	GSKT KIT RD400C/D		SEE GRID H-1 FOR KIT COMPONENT
	1A0-15456-00-00	GASKET, O/PMP CVR 1	1	
21	98506-06045-00	SCREW, PAN HEAD	3	
22	360-15363-01-00	PLUG, OIL	1	
23	93210-27778-00	O-RING	1	
24	1A0-15491-00-00	PROTECTOR	1	
25	1A0-15497-00-00	PLATE, DUST SEAL	1	

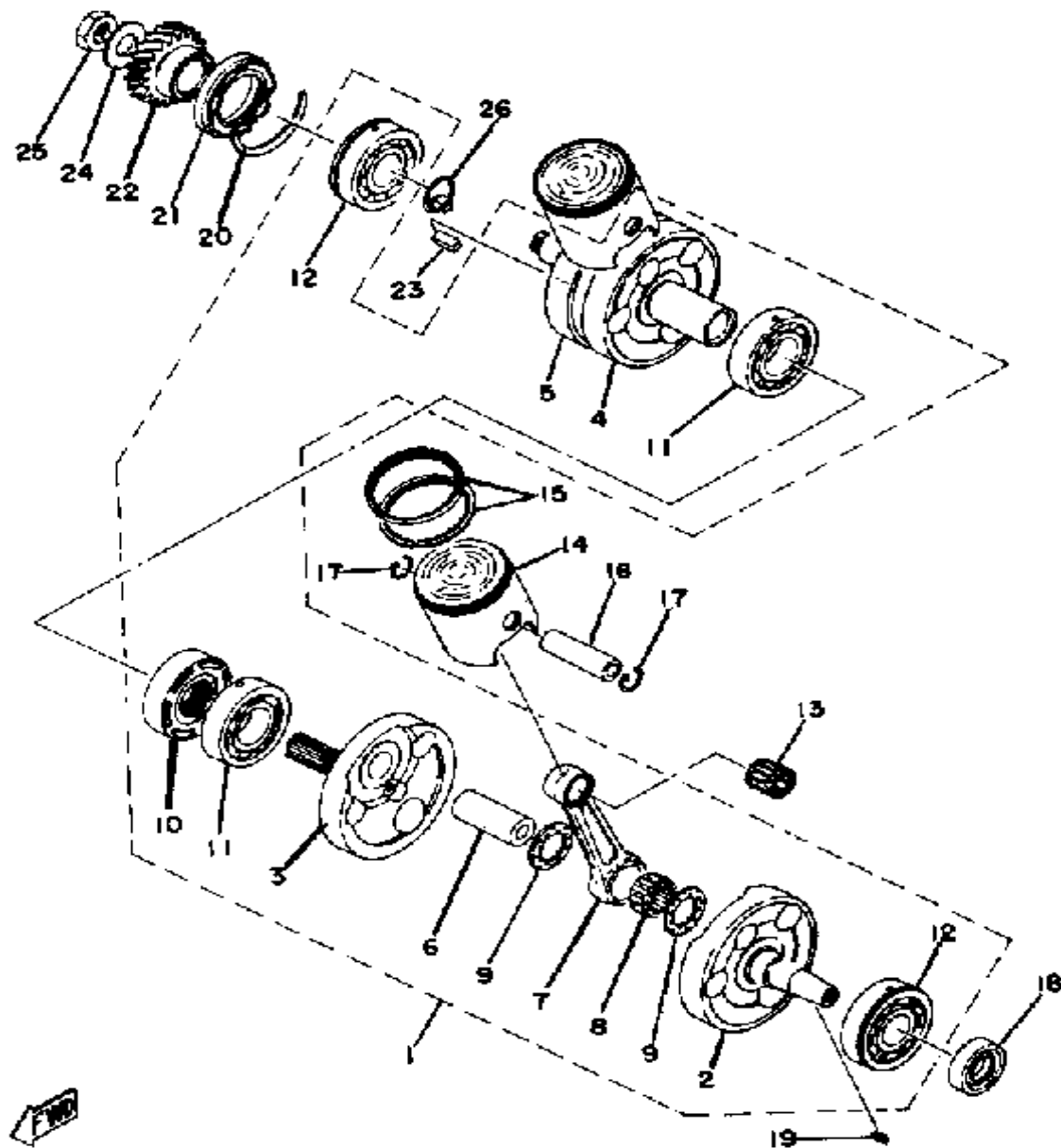
CONTINUED ON NEXT FRAME ➤

CRANKCASE COVER



Ref. No.	Part Number	Description	Qty	Remarks
26	98516-05012-00	SCREW, PAN HEAD 4CG	2	

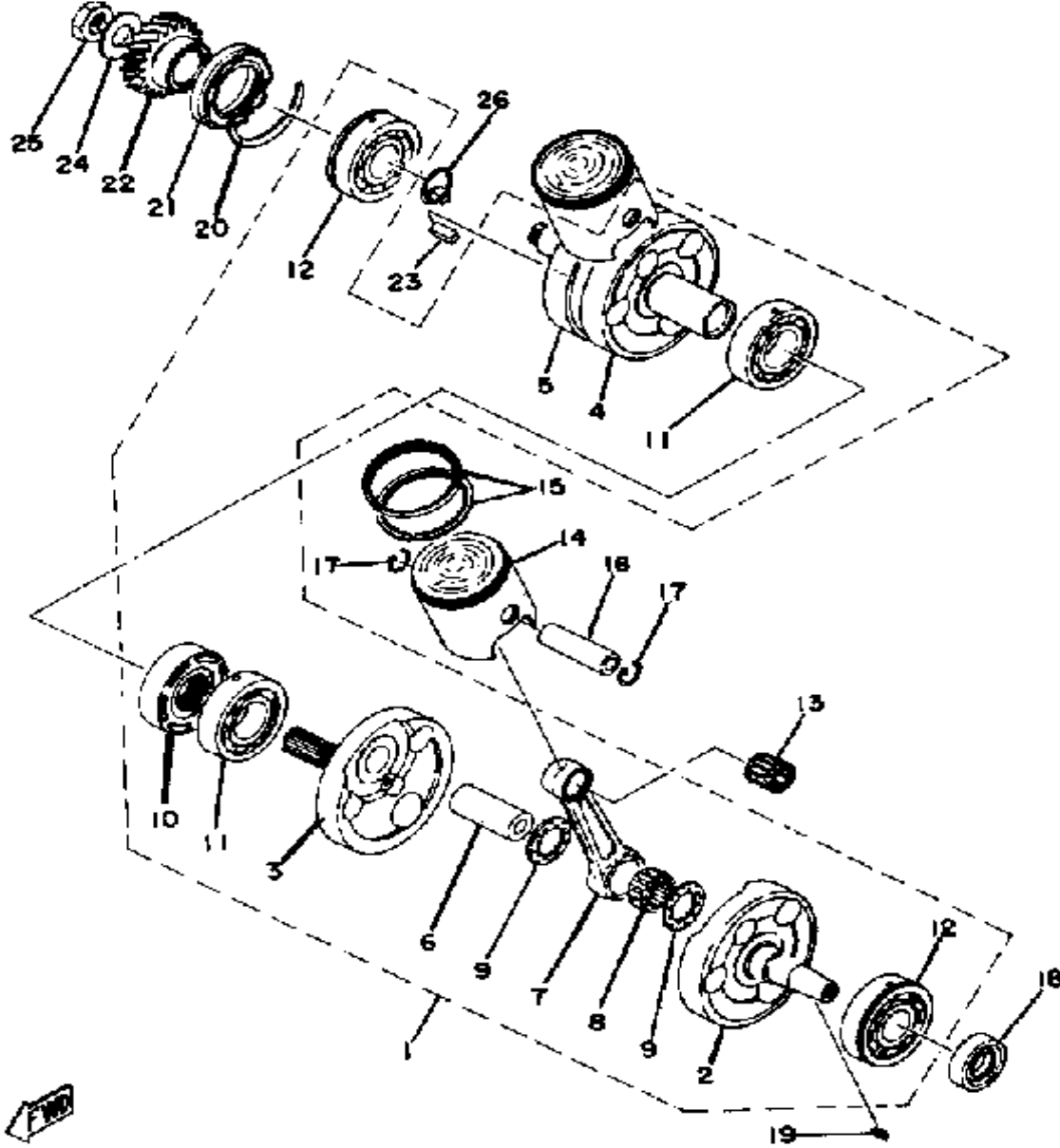
CRANK - PISTON



Ref. No.	Part Number	Description	Qty	Remarks
1	2V0-11400-00-00	CRANKSHAFT ASSEMBLY	1	
2	(1A1-11412-01-00)	CRANK 1	1	
3	(2V0-11422-00-00)	CRANK 2	1	
4	(1A1-11432-01-00)	CRANK 3	1	
5	(1A1-11442-01-00)	CRANK 4	1	
6	8G8-11681-00-00	. PIN, CRANK 1	2	
7	2T2-11651-00-00	. ROD, CONNECTING	2	
8	93310-42277-00	. BEARING, CYLINDER.#10 (93310-42231)	2	
9	90209-22248-00	. WASHER	4	
10	278-11515-00-00	. SEAL, LABYRINTH 1	1	
11	93306-20621-00	. BEARING	2	
12	93306-30549-00	. BEARING	2	
13	93310-216E1-00	BEARING	2	
14	1A1-11630-00-00	PISTON KIT STD	2	
	1A1-11630-10-00	PISTON KIT 1ST	2	ALT. PART
	1A1-11630-20-00	PISTON KIT 2ND	2	ALT. PART
	1A1-11630-30-00	PISTON KIT 3RD	2	ALT. PART
	1A1-11630-40-00	PISTON KIT 4TH	2	ALT. PART
	1A1-11631-00-96	PISTON STD	2	
	1A1-11635-00-00	PISTON 1 O/S 0.5	2	ALT. PART
	1A1-11636-00-00	PISTON 2 O/S 0.0	2	ALT. PART
	1A1-11637-00-00	PISTON 3 O/S 0.5	2	ALT. PART
	1A1-11638-00-00	PISTON 4 O/S 1.0	2	ALT. PART
15	1A1-11610-00-00	PISTON RINGSET STD	2	
	1A1-11610-10-00	PISTON RINGSET 1ST	2	ALT. PART
	1A1-11610-20-00	PISTON RINGSET 2ND	2	ALT. PART
	1A1-11610-30-00	PISTON RINGSET 3RD	2	ALT. PART
	1A1-11610-40-00	PISTON RINGSET 4TH	2	ALT. PART

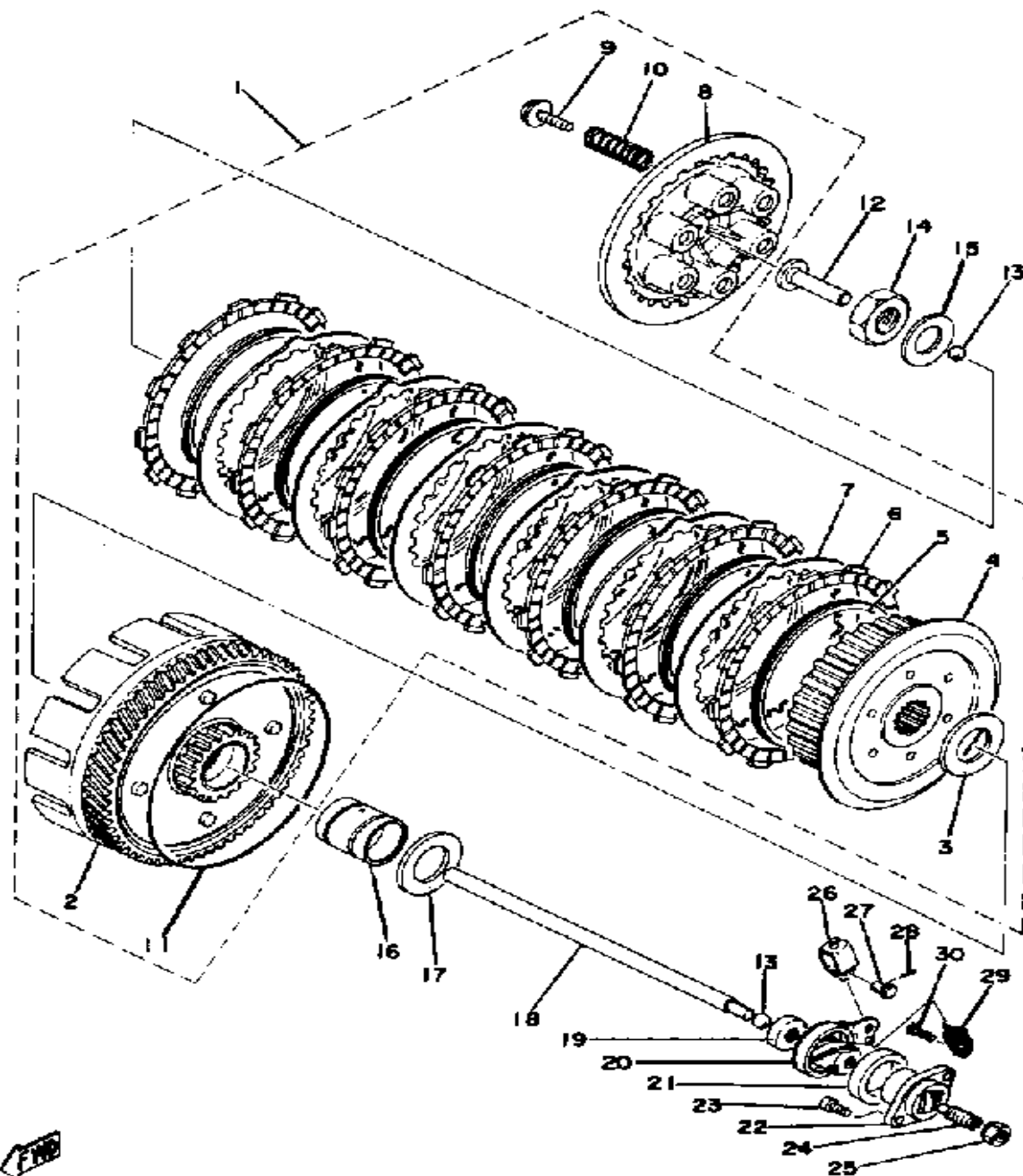
CONTINUED ON NEXT FRAME ►

CRANK - PISTON



Ref. No.	Part Number	Description	Qty	Remarks
16	4L0-11633-00-00	PIN, PISTON	2	
17	93450-17025-00	CIRCLIP	4	
18	93103-20076-00	OIL SEAL, SW-TYPE	1	
19	90280-04005-00	KEY, WOODRUFF	1	
20	278-17424-01-00	CIRCLIP 1	1	
21	93103-40077-00	OIL SEAL	1	
22	(1A1-16111-00-00)	GEAR, PRI DRIVE	1	
23	90282-07023-00	KEY, STRAIGHT	1	
24	214-16119-00-00	SPRING, BELLEVILLE	1	
25	90170-16182-00	NUT	1	
26	360-11526-00-00	SEAL, CRANKSHAFT 0 0	1	

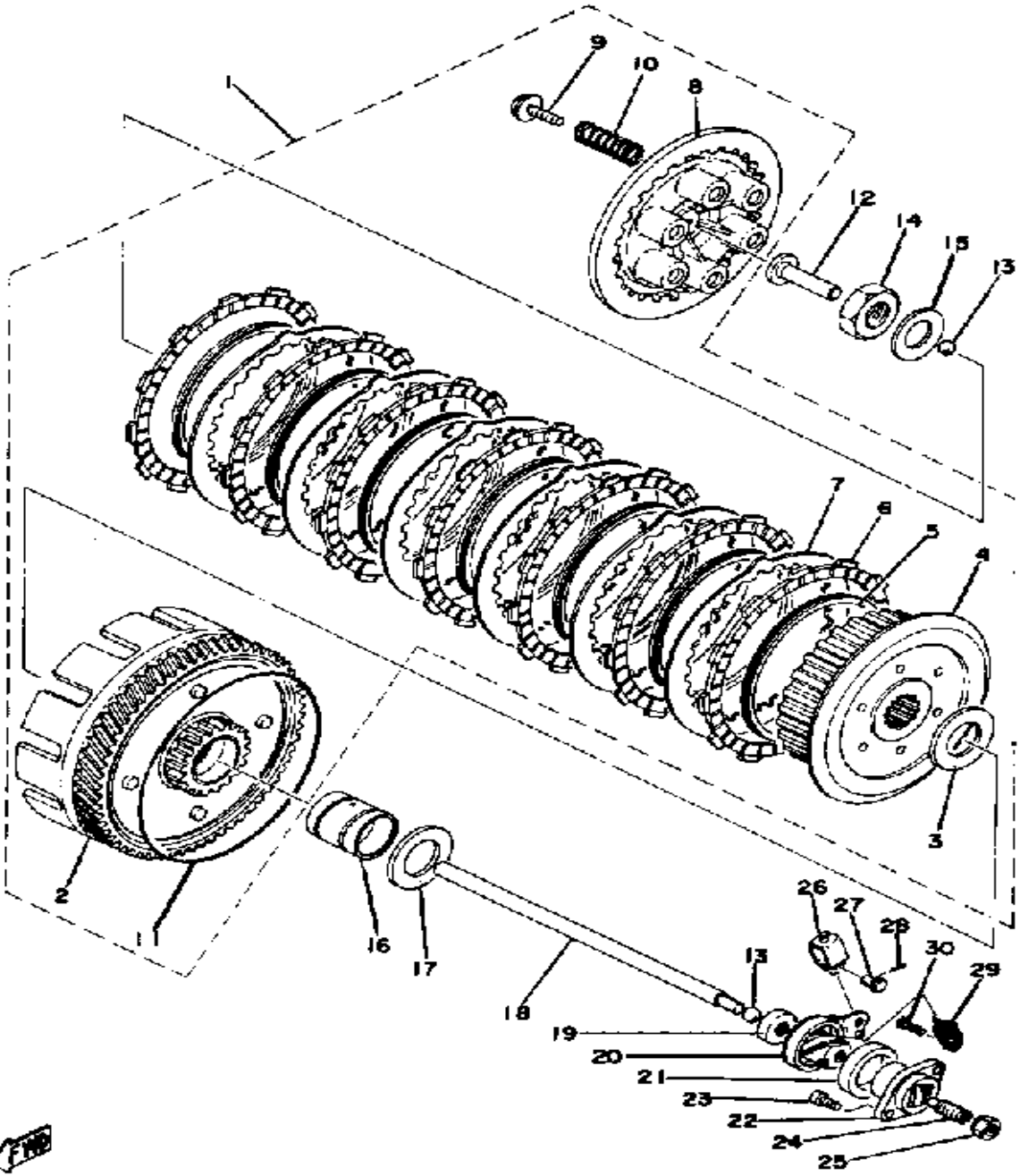
CLUTCH



Ref. No.	Part Number	Description	Qty	Remarks
1	(1A1-16301-00-00)	CLUTCH ASSEMBLY	1	
2	2R9-16150-00-00	. PRI DRVN GEARCOMP. (66T)	1	
3	360-16154-00-00	. PLATE, THRUST 1	1	
4	1A0-16371-00-00	. BOSS, CLUTCH	1	
5	278-16367-00-00	. RING, CUSHION	7	
6	360-16321-00-00	. PLATE, FRICTION 0 7	7	
7	498-16325-00-00	. PLATE, CLUTCH 2	6	
8	1A0-16351-00-00	. PLATE, PRESSURE 1	1	
9	90159-06010-00	. SCREW, WITH WASHER	6	
10	90501-23138-00	. SPRING, COMPRESSION	6	
11	93211-10232-00	. O-RING	1	
12	174-16356-00-00	ROD, PUSH 1	1	
13	93505-16006-00	BALL	2	
14	90170-18089-00	NUT, HEXAGON	1	
15	90215-18131-00	WASHER, LOCK	1	
16	278-16181-01-00	SPACER 1	1	
17	360-16154-00-00	PLATE, THRUST 1	1	
18	328-16357-00-00	ROD, PUSH 2	1	
19	93109-08061-00	OIL SEAL	1	
20	360-16340-00-00	PUSH LEVER ASSEMBLY	1	
21	214-16347-01-00	SEAL, DUST	1	
22	371-16396-00-00	HOUSING, PUSH SCREW	1	
23	98580-05012-00	SCREW, PAN HEAD	2	
24	90113-08021-00	BOLT, SET	1	
25	90179-08179-00	NUT	1	
26	214-16389-00-00	JOINT	1	
27	90240-06005-00	PIN, CLEVIS	1	
28	91401-10015-00	PIN, COTTER	1	
29	90506-10069-00	SPRING, TENSION	1	

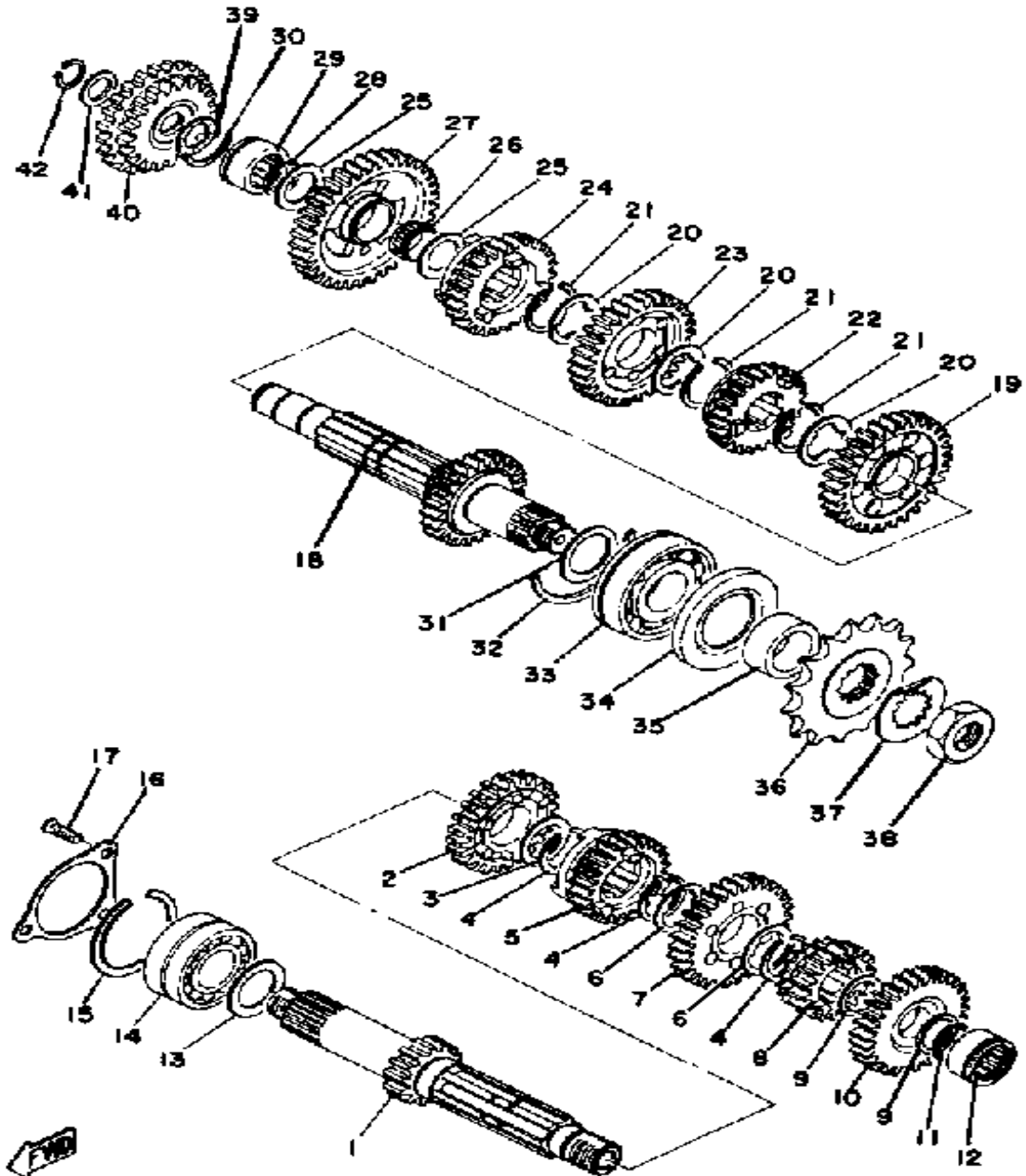
CONTINUED ON NEXT FRAME ➤

CLUTCH



Ref. No.	Part Number	Description	Qty	Remarks
30	132-16346-00-00	HOOK, SPRING	1	

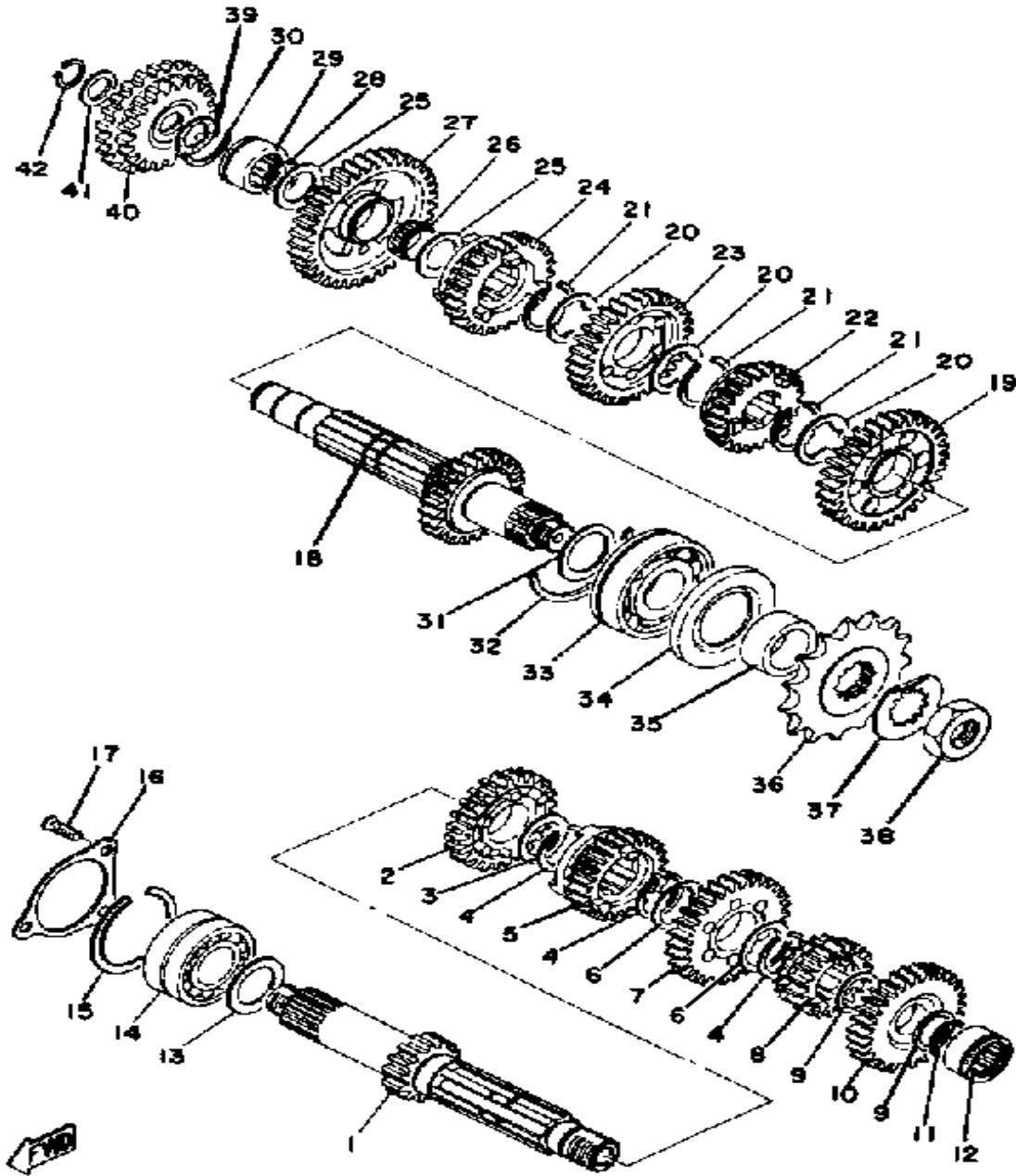
TRANSMISSION



Ref. No.	Part Number	Description	Qty	Remarks
1	(1A0-17411-00-00)	AXLE, MAIN	1	
2	521-17141-00-00	GEAR, 4TH PINION	1	
3	90201-25490-00	WASHER, PLATE	1	
4	93440-25084-00	CIRCLIP	3	
5	1A1-17131-00-00	GEAR, 3RD PINION	1	
6	90209-21105-00	WASHER	2	
7	(521-17161-00-00)	GEAR, 6TH PINION	1	
8	1A1-17121-00-00	GEAR, 2ND PINION	1	
9	90201-20266-00	WASHER, PLATE (1.0T)	2	
10	521-17151-00-00	GEAR, 5TH PINION	1	
11	99009-20400-00	CIRCLIP	1	
12	93311-22027-00	BEARING, CYLINDRICAL	1	
13	168-17428-01-03	SHIM 2 (25-34-0.3)	1	U.R.U.R.
	168-17428-01-05	SHIM 2 (25-34-0.5)	1	U.R.U.R.
14	93305-20502-00	BEARING (93305-20508-00)	1	
15	93440-52009-00	CIRCLIP	1	
16	360-17471-00-00	PLATE, COVER	1	
17	98701-06014-00	SCREW, FLAT HEAD	3	
18	1A0-17420-00-00	DRIVE AXLE ASSEMBLY	1	
19	360-17221-00-00	GEAR, 2ND WHEEL	1	
20	90209-21105-00	WASHER	3	
21	93440-25084-00	CIRCLIP	3	
22	521-17261-00-00	GEAR, 6TH WHEEL	1	
23	360-17231-00-00	GEAR, 3RD WHEEL	1	
24	521-17241-00-00	GEAR, 4TH WHEEL	1	
25	90201-20276-00	WASHER, PLATE (1.0T)	2	
26	93310-22057-00	BEARING (K20-24X10 S)	1	
27	360-17211-00-00	GEAR, 1ST WHEEL	1	
28	99009-20400-00	CIRCLIP	1	

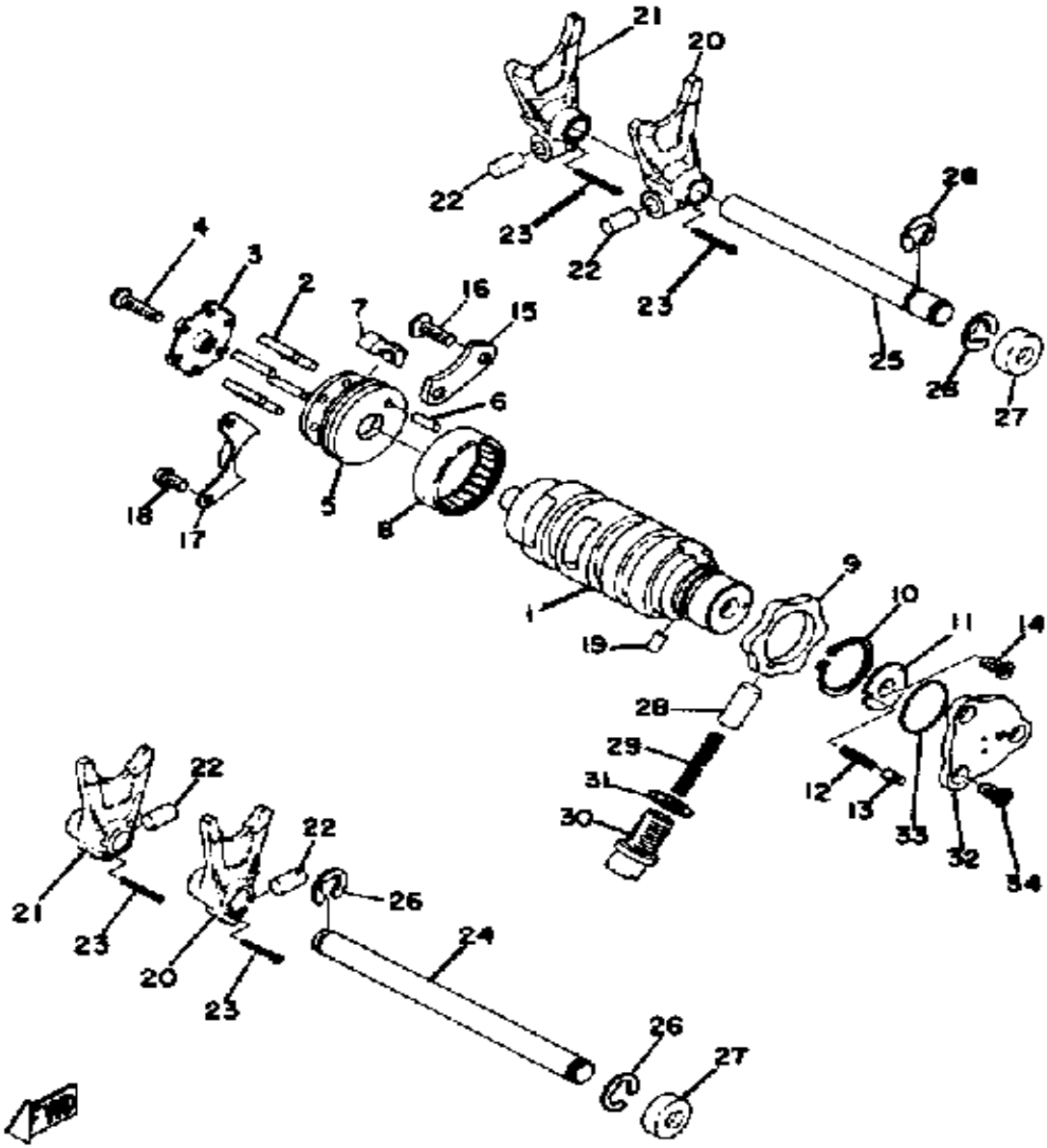
CONTINUED ON NEXT FRAME ➤

TRANSMISSION



Ref. No.	Part Number	Description	Qty	Remarks
29	93311-42045-00	BEARING (20NG3315NE)	1	
30	278-17425-00-00	CIRCLIP 2	1	
31	168-17428-01-03	SHIM 2 (25-34-0.3)	1	U.R.U.R.
	168-17428-01-05	SHIM 2 (25-34-0.5)	1	U.R.U.R.
32	278-17424-01-00	CIRCLIP 1	1	
33	93306-30506-00	BEARING (B6305N) (93306-30504-00)	1	
34	93102-35109-00	OIL SEAL (SD-35-62-6 HS)	1	
35	90387-25192-00	COLLAR	1	
36	93854-16108-00	SPROCKET, DRIVE 16T	1	U.R.U.R.
	93854-17127-00	SPROCKET, DRIVE 17T	1	U.R.U.R. STD
37	90215-21239-00	WASHER, LOCK	1	
38	90179-18020-00	NUT	1	
39	90206-15021-00	WASHER, WAVE	1	
40	(278-15650-00-00)	IDLE GEAR ASSEMBLY	1	
41	164-17417-00-10	SHIM 1 (1.0T)	1	
42	99009-15400-00	CIRCLIP	1	

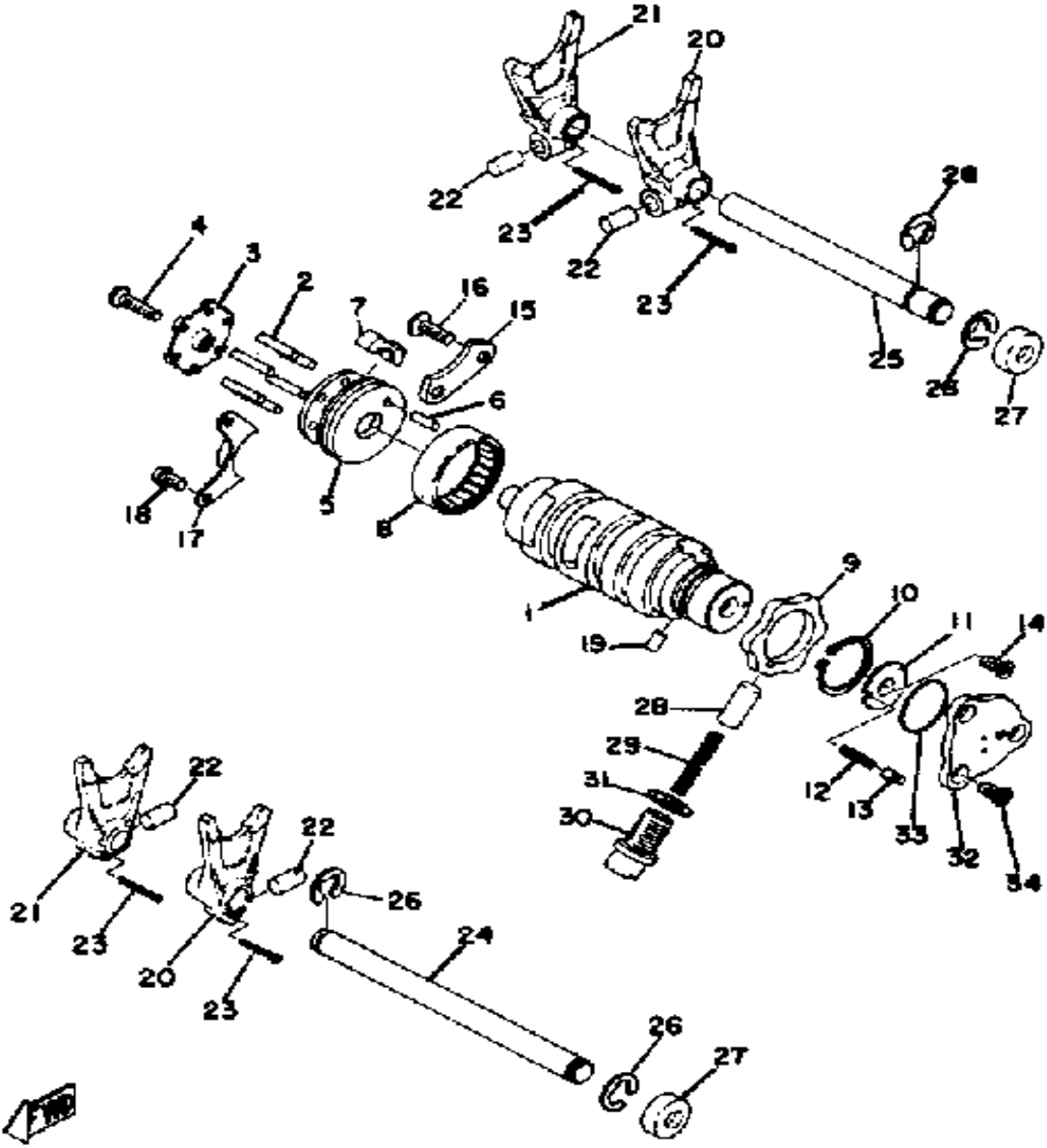
SHIFTER 1



Ref. No.	Part Number	Description	Qty	Remarks
1	(360-18541-00-00)	CAM, SHIFT	1	
2	93604-22050-00	PIN, DOWEL	6	
3	328-18561-00-00	PLATE, SIDE 1	1	
4	98701-05020-00	SCREW, FLAT HEAD	1	
5	(328-18185-00-00)	SEGMENT	1	
6	93604-14012-00	PIN, DOWEL	1	
7	(328-18352-10-00)	PLATE, PAWL	1	
8	93315-23612-00	BEARING	1	
9	360-18141-01-00	PLATE, STOPPER	1	
10	99009-30400-00	CIRCLIP	1	
11	278-18566-00-00	PLATE, SIDE 2	1	
12	90501-06022-00	SPRING, COMPRESSION	1	
13	278-18542-00-00	POINT, NEUTRAL	1	
14	98701-05012-00	SCREW, FLAT HEAD	1	
15	(328-18562-00-00)	PLATE, STOPPER 2	1	
16	98701-06014-00	SCREW, FLAT HEAD	2	
17	328-18179-00-00	GUIDE	1	
18	98580-05010-00	SCREW, PAN HEAD	2	
19	93604-08071-00	PIN, DOWEL	1	
20	328-18511-01-00	FORK, SHIFT 1	2	
21	328-18512-01-00	FORK, SHIFT 2	2	
22	90250-08017-00	PIN, STRAIGHT	4	
23	91401-25020-00	PIN, COTTER	4	
24	278-18531-00-00	BAR, SHIF FRK GDE 1	1	
25	(278-18535-00-00)	BAR, SHIF FRK GDE 2	1	
26	99006-10600-00	CIRCLIP	4	
27	90338-22021-00	PLUG, SPEC'L SHAPE (371-18149-00)	2	
28	278-18547-02-00	STOPPER, CAM	1	

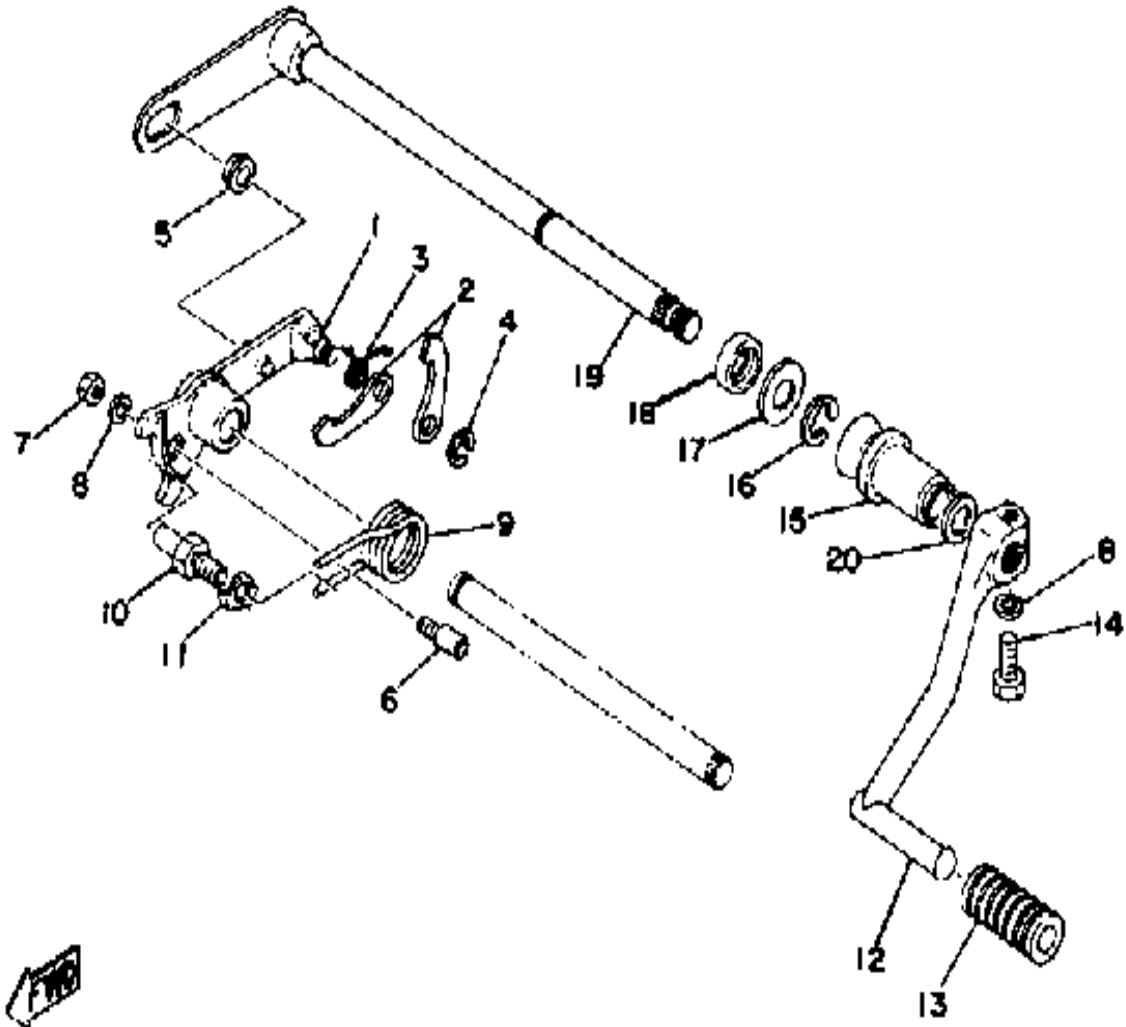
CONTINUED ON NEXT FRAME ➤

SHIFTER 1



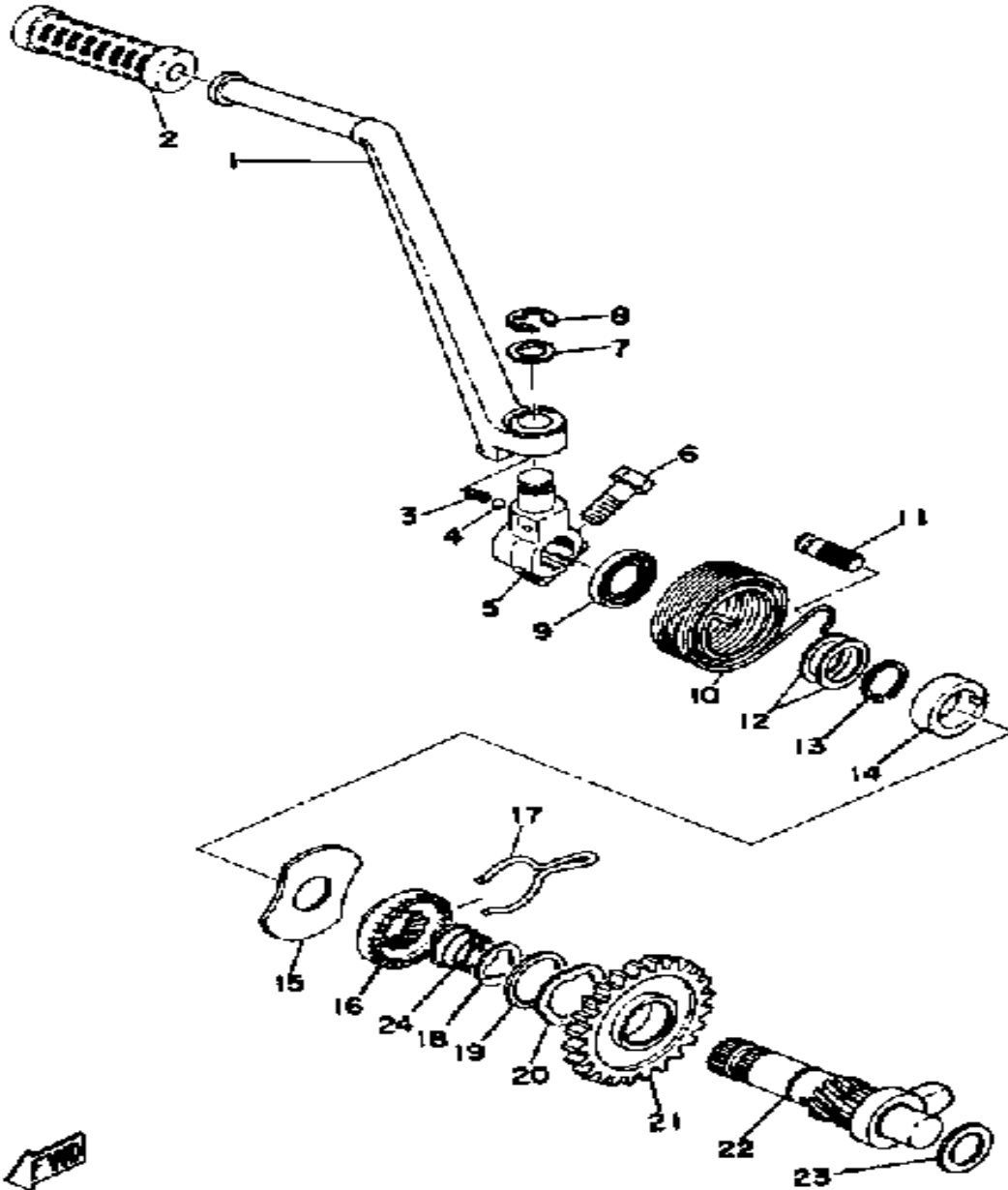
Ref. No.	Part Number	Description	Qty	Remarks
29	90501-10062-00	SPRING, COMPRESSION	1	
30	90149-14031-00	SCREW, SPEC'L SHAPE	1	
31	137-15353-00-00	GASKET, DRAIN	1	
32	1L9-82540-00-00	NEUTRAL SWITCH ASSEMBLY	1	
33	93210-29147-00	O-RING	1	
34	98701-05012-00	SCREW, FLAT HEAD	3	

SHIFTER 2



Ref. No.	Part Number	Description	Qty	Remarks
1	328-18128-00-00	BRACKET	1	
2	(328-18151-00-00)	LEVER, SHIFT 3	2	
3	90508-08007-00	SPRING, TORSION (214-18123-00)	1	
4	99080-07600-00	CIRCLIP (E)	1	
5	214-18178-00-00	ROLLER, SHIFT LEVER	1	
6	90149-06017-00	SCREW, SPEC'L SHAPE (214-18186-00)	1	
7	95380-06600-00	NUT	1	
8	92995-06100-00	WASHER, SPRING	2	
9	90508-32055-00	SPRING, TORSION	1	
10	278-18127-00-00	STOPPER, SCREW	1	
11	90215-08015-00	WASHER, LOCK (214-18139-00)	1	
12	2L1-18111-00-00	PEDAL, SHIFT	1	
13	132-18113-01-00	COVER, SHIFT PEDAL	1	
14	97011-06020-00	BOLT	1	
15	278-18131-00-00	BOOT, SEALING	1	
16	99006-10600-00	CIRCLIP	1	
17	90201-12575-00	WASHER, PLATE	1	
18	93102-12321-00	OIL SEAL, SD-TYPE	1	
19	278-18101-01-00	SHIFT SHAFT ASSEMBLY 1 ..	1	
20	93104-11056-00	OIL SEAL, SO-TYPE	1	

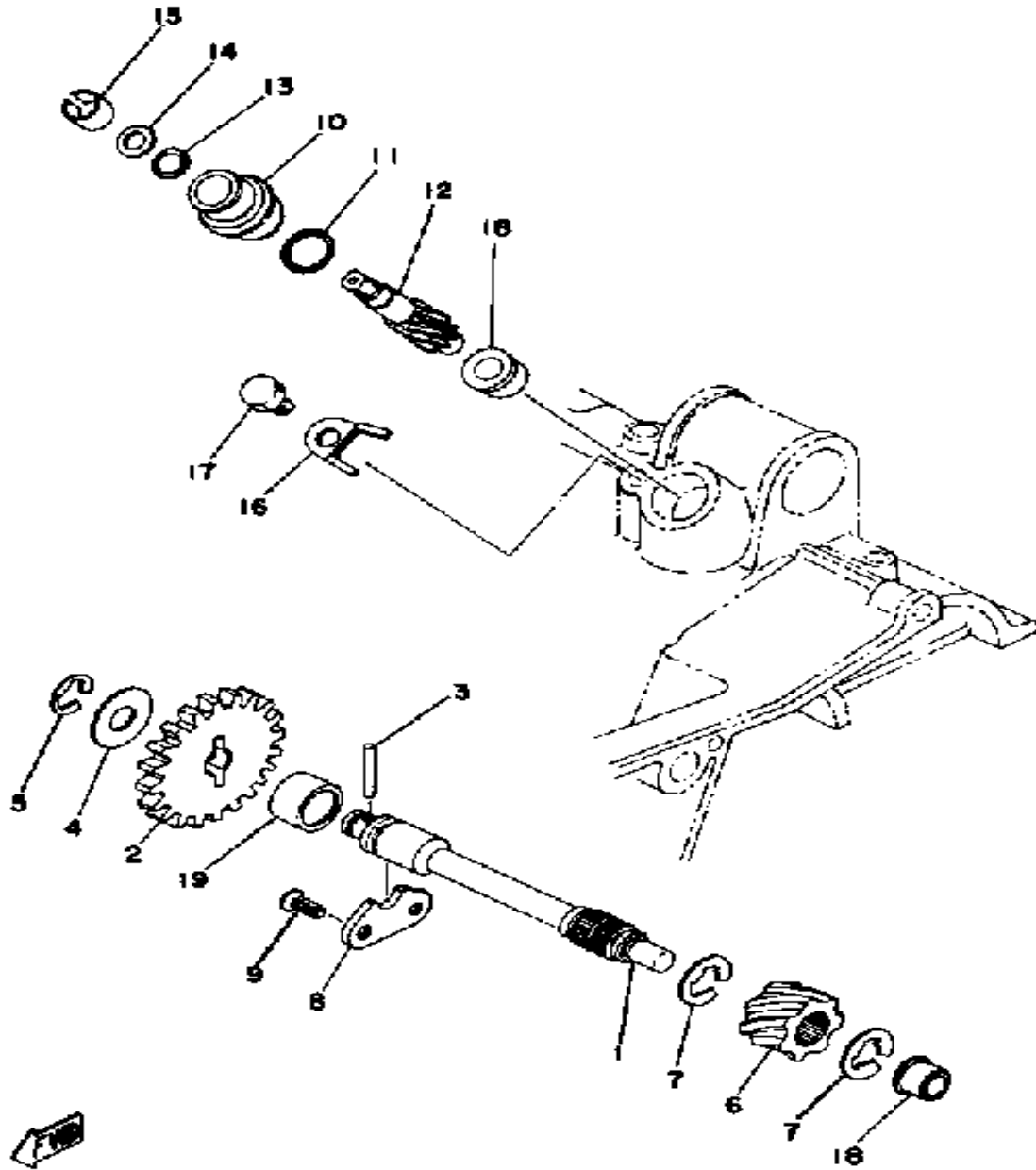
KICK STARTER



Ref. No.	Part Number	Description	Qty	Remarks
1	2F3-15611-00-93	CRANK, KICK	1	
2	156-15618-01-00	COVER, KICK LEVER	1	
3	90501-12081-00	SPRING, COMPRESSION	1	
4	93507-32031-00	BALL	1	
5	583-15621-00-00	BOSS, KICK CRANK	1	
6	97313-08030-00	BOLT, HEXAGON	1	
7	90201-15234-00	WASHER, PLATE	1	
	90201-15340-00	WASHER, PLATE	1	
8	99006-10600-00	CIRCLIP	1	
9	93104-20007-00	OIL SEAL, SO-TYPE	1	
10	90508-30051-00	SPRING, TORSION	1	
11	248-15668-00-00	STOPPER	1	
12	(90206-20058-00)	WASHER, WAVE	1	
	90208-20022-00	WASHER, CONICAL SPR	2	
13	99009-20400-00	CIRCLIP	1	
14	278-15666-00-00	SPACER (278-15666-01)	1	
15	278-15676-00-00	COVER, SPRING	1	
16	278-15671-01-00	WHEEL, RATCHET	1	
17	90468-26045-00	CLIP (256-15687-00)	1	
18	93440-25084-00	CIRCLIP	1	
19	90201-25490-00	WASHER, PLATE	1	
20	90206-25059-00	WASHER, WAVE	1	
21	278-15641-01-00	GEAR, KICK	1	
22	278-15660-01-00	KICK AXLE ASSEMBLY	1	
23	136-17417-00-10	SHIM 1	1	
24	(90502-07025-00)	SPRING, CONICAL	1	

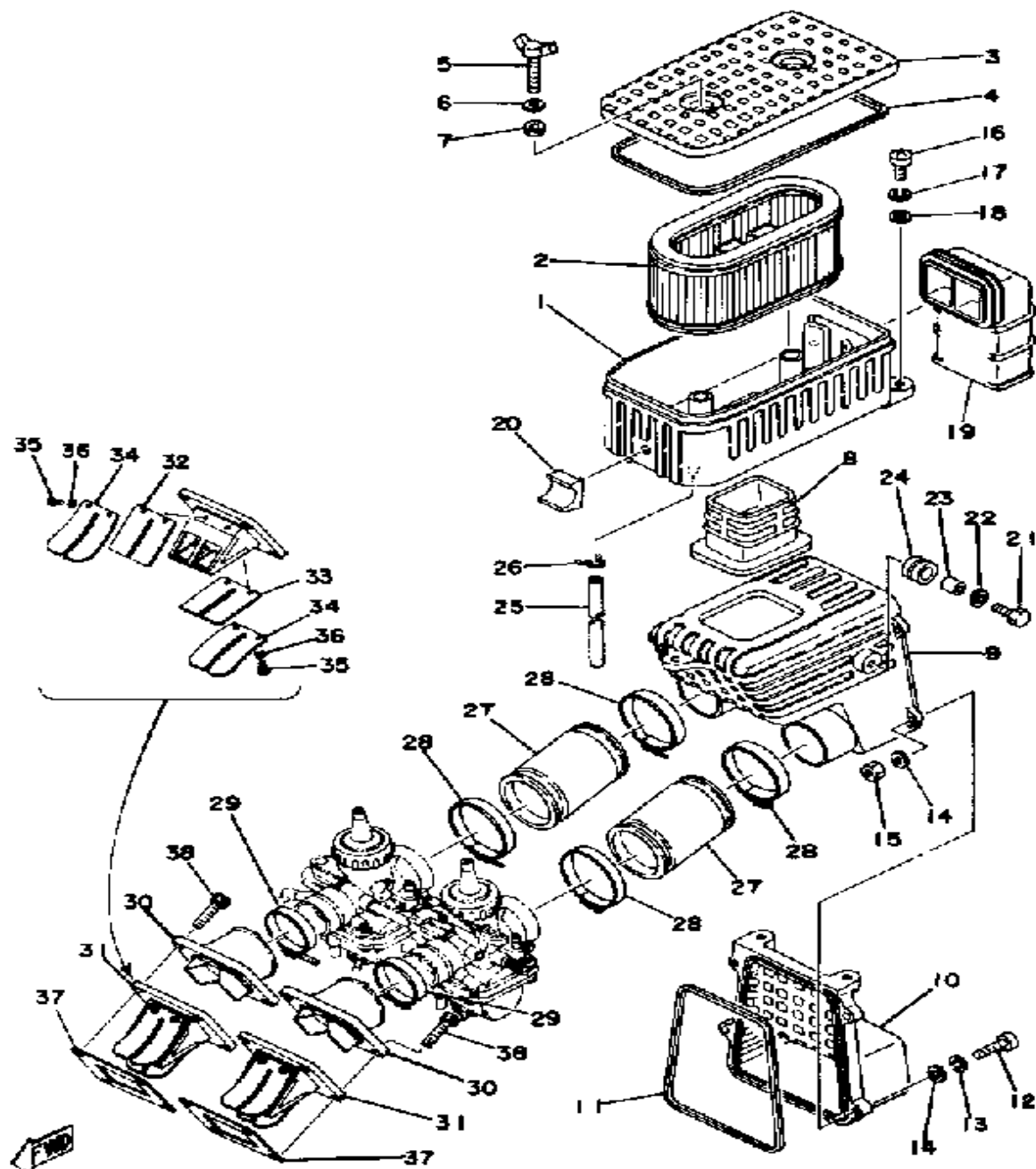


TACHOMETER GEAR



Ref. No.	Part Number	Description	Qty	Remarks
1	(278-17861-00-00)	AXLE, DRIVE GEAR	1	
2	278-17851-00-00	GEAR, PRIMARY (20T)	1	
3	93603-22028-00	PIN, DOWEL	1	
4	90201-105J4-00	WASHER, PLATE (90201-106H1)	1	
5	99001-08600-00	CIRCLIP	1	
6	(278-17831-00-00)	GEAR, DRIVE	1	
7	99006-10600-00	CIRCLIP	2	
8	(278-17812-00-00)	STOPPER	1	
9	98701-05012-00	SCREW, FLAT HEAD	2	
10	353-17810-00-00	HOUSING ASSEMBLY, TACH (214-17811-01)	1	
11	93210-13016-00	O-RING	1	
12	214-17841-01-00	GEAR, DRIVEN	1	
13	93210-07100-00	O-RING	1	
14	214-17847-00-00	SHIM (7.5-10.8-0.4)	1	
15	90383-10005-00	BUSH, FORMED (214-17815-00) 01	1	
16	5U7-17812-00-00	STOPPER	1	
17	97011-06010-00	BOLT	1	
18	90381-08002-00	BUSHING (214-17843-00)	2	
19	(90380-14040-00)	BUSH, SOLID	1	

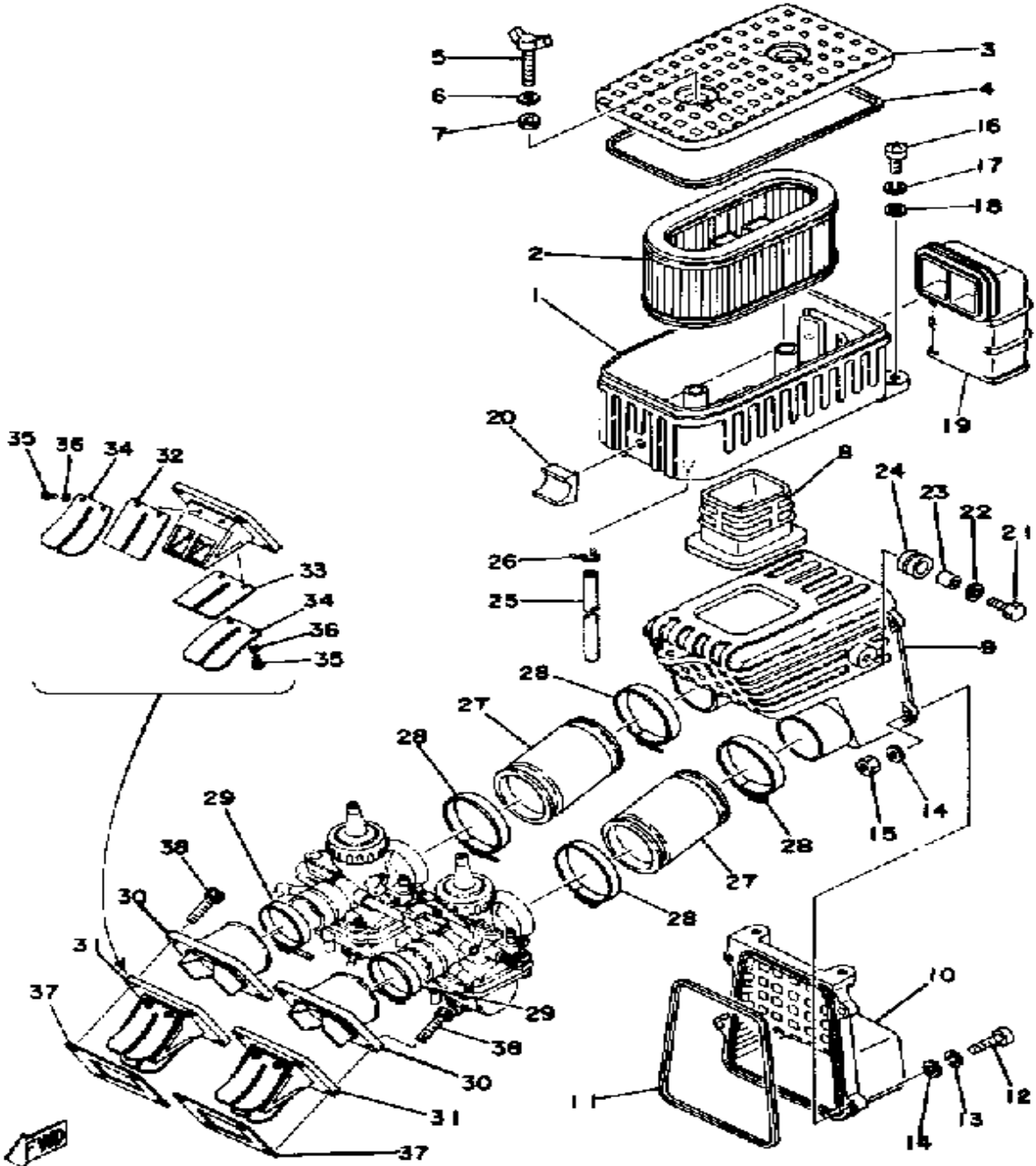
INTAKE



Ref. No.	Part Number	Description	Qty	Remarks
1	(1A0-14411-00-00)	CASE, AIR CLEANER 1	1	
2	1A0-14451-01-00	ELEMENT, AIR CLNR	1	
3	1A0-14412-01-00	CAP, CLEANER CASE 1	1	
4	4L0-14457-01-00	SEAL	1	
5	(90122-06002-00)	BOLT, WING	2	
6	92990-06200-00	WASHER	2	
7	90202-05101-00	WASHER, PLATE	2	
8	2R9-14419-00-00	PIPE	1	
9	(1A0-14431-00-00)	SILENCER, INTAKE 1	1	
10	(1A0-14441-00-00)	SILENCER, INTAKE 2	1	
11	4L0-14457-01-00	SEAL	1	
12	98503-05025-00	SCREW, PAN HEAD (98501-05025)	4	
13	92990-05100-00	WASHER, SPRING	4	
14	92990-05200-00	WASHER, PLAIN	8	
15	95380-05600-00	NUT	4	
16	98580-06018-00	SCREW, PAN HEAD	3	
17	92995-06100-00	WASHER, SPRING	3	
18	92990-06200-00	WASHER	3	
19	(3J7-14437-00-00)	DUCT	1	
20	(1A0-14435-01-00)	GROMMET	1	
21	97011-06020-00	BOLT	2	
22	90201-062A8-00	WASHER, PLATE	2	
23	90387-07390-00	COLLAR	2	
24	90480-14023-00	GROMMET	2	
25	90445-09078-00	HOSE	2	
26	90467-08003-00	CLIP	4	
27	1A0-14453-01-00	JOINT, AIR CLNR 1	2	
28	90460-49058-00	CLAMP, HOSE	4	

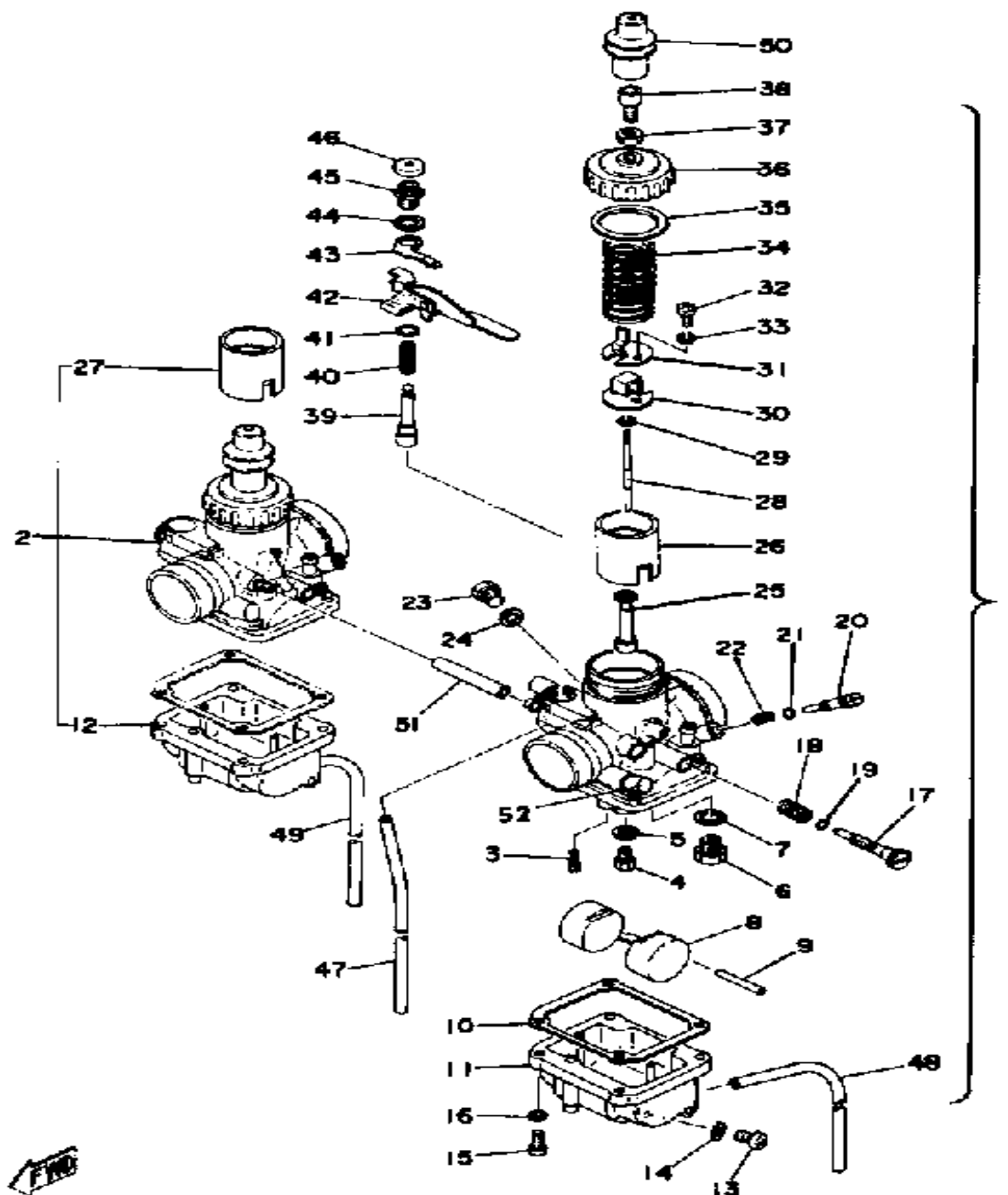
CONTINUED ON NEXT FRAME ►

INTAKE



Ref. No.	Part Number	Description	Qty	Remarks
29	90460-43053-00	CLAMP, HOSE	2	
30	345-13565-71-00	JOINT, CARBURETOR	2	
31	558-13610-00-00	REED VALVE ASSEMBLY	2	
32	2R9-13613-00-00	. REED, VALVE (401-13613-00)	2	
33	345-13613-70-00	. REED, VALVE	2	
34	345-13616-70-00	. STOPPER, REED VALVE	4	
35	98580-03008-00	. SCREW, PAN HEAD	8	
36	92990-03100-00	. WASHER, SPRING (92901-03100)	8	
37	1A1-13621-01-00	GASKET, VALVE SEAT (1A1-13621-00)	2	
38	91316-06025-00	BOLT	8	

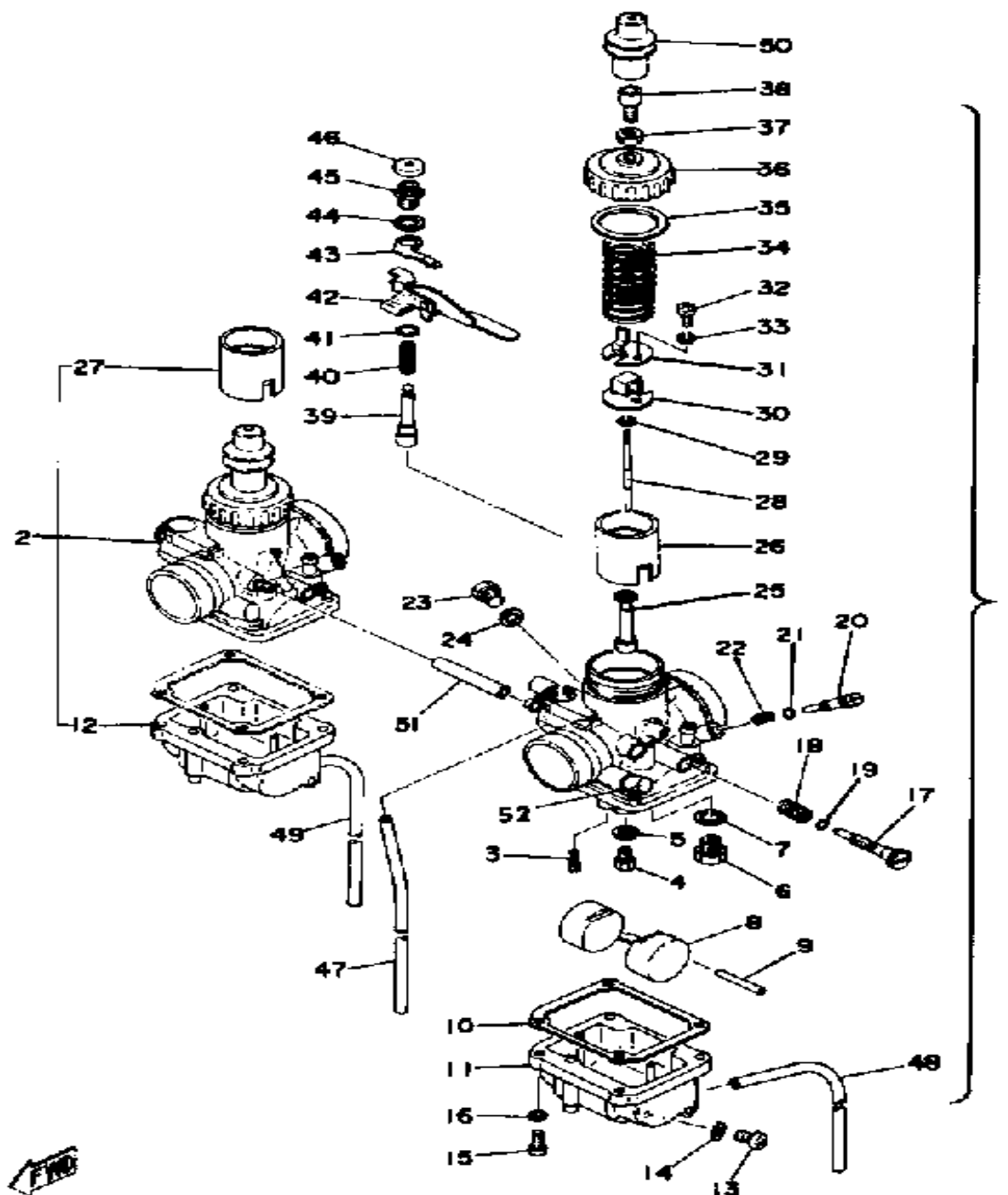
CARBURETOR



Ref. No.	Part Number	Description	Qty	Remarks
1	(1A1-14101-00-00)	CARBURETOR ASSEMBLY 1	1	
2	(1A1-14102-00-00)	CARBURETOR ASSEMBLY 2	1	
3	193-14142-25-A0	JET, PILOT # 5	2	
4	137-14143-22-A0	. JET, MAIN #1 0	2	U.R. U.R.
	137-14143-23-A0	. JET, MAIN #1 5	2	U.R. U.R. STD
	137-14143-24-00	. JET, MAIN #120 (#120)	2	U.R. U.R.
5	137-14153-00-00	. WASHER, MAIN JET	2	
6	23L-14107-25-00	. NEEDLE VALVE SET	2	
7	214-14195-00-00	. WASHER, NEEDLE VALVE	2	
8	1A0-14185-00-00	. FLOAT	2	
9	127-14186-00-00	. PIN, FLOAT	2	
10	360-14184-01-00	. GASKET, FLOAT CHMBR	2	
11	(1A0-14181-14-00)	BODY, FLOAT CHMBR 1	1	
12	(1A0-14183-00-00)	BODY, FLOAT CHMBR 2	1	
13	266-14191-00-00	. PLUG, DRAIN	2	
14	266-14126-00-00	. GASKET	2	
15	98503-04014-00	. SCREW, PAN HEAD	8	
16	92901-04100-00	. WASHER, SPRING	8	
17	493-14122-00-00	. SCREW, THROTTLE (443-14122-00)	2	
18	493-14133-00-00	. SPRING, THRTL STOP	2	
19	214-14147-00-00	. O-RING	2	
20	10W-14104-00-00	. AIR SCREW SET	2	
21	354-14147-00-00	. O-RING	2	
22	127-14134-00-00	. SPRING, AIR ADJUSTING	2	
23	1A0-14991-00-00	. SCREW	2	
24	256-14956-01-00	. WASHER	2	
25	360-14141-42-00	. NOZZLE, MAIN	2	
26	(1A0-14112-25-00)	VALVE, THROTTLE 1	1	

CONTINUED ON NEXT FRAME ►

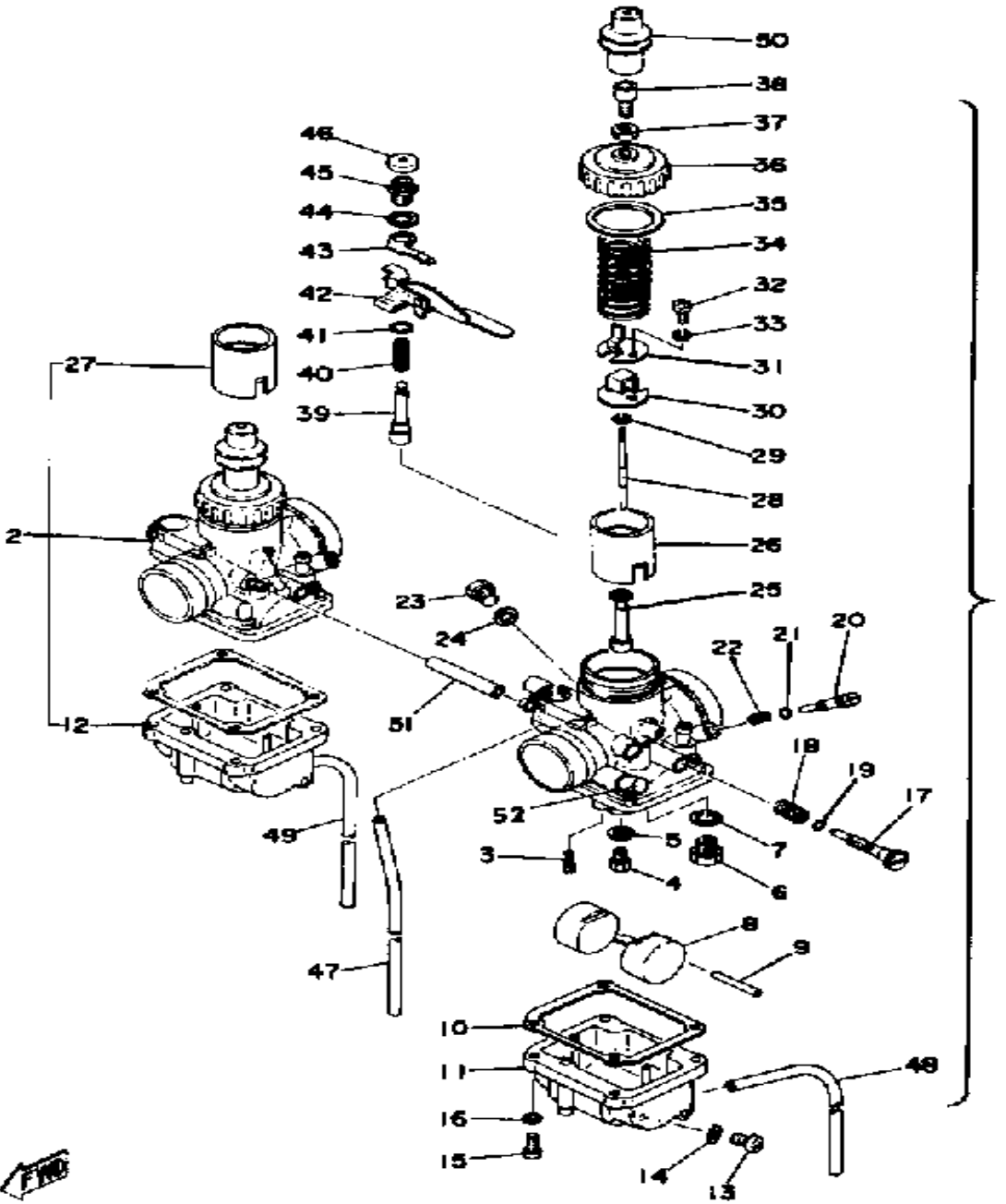
CARBURETOR



Ref. No.	Part Number	Description	Qty	Remarks
27	(1A0-14113-25-00)	VALVE, THROTTLE 2	1	
28	522-14116-01-00	. NEEDLE	2	
29	164-14137-00-00	. CLIP	2	
30	(1A0-14243-00-00)	PLATE	2	
31	(1A0-14253-00-00)	SPRING	2	
32	98580-03010-00	. SCREW, PAN HEAD (98502-03010)	4	
33	92990-03100-00	. WASHER, SPRING (92901-03100)	4	
34	360-14131-00-00	. SPRING, THRTL VALVE	2	
35	246-14126-00-00	. GASKET	2	
36	802-14158-00-00	. TOP, MIXING CHAMBER	2	
37	802-14161-00-00	. NUT, CABLE ADJUSTING	2	
38	360-14124-20-00	. SCREW, CABLE ADJUSTING	2	
39	1A0-14171-00-00	. PLUNGER, STARTER	1	
40	256-14135-00-00	. SPRING, PLUNGER	1	
41	93220-09001-00	. O-RING	1	
42	(1A0-14175-00-00)	LEVER, STARTER 1	1	
43	(170-14178-00-00)	PLATE, STARTER LVR	1	
44	(132-14179-00-00) (1A0-14179-00-00)	WASHER, STARTER LVR	1	
45	(500-14174-00-00)	CAP, PLUNGER	1	
46	802-14173-00-00	. COVER, PLUNGER CAP	1	
47	1A0-14197-00-00 510-14197-00-00	. PIPE, AIRVENT . PIPE (43214-19700-00)	2	
48	278-14197-00-00 47X-14196-00-00	. PIPE . PIPE	2	
49	47X-14196-00-00	. PIPE	1	
50	(1A0-14169-00-00)	CAP	2	

CONTINUED ON NEXT FRAME ►

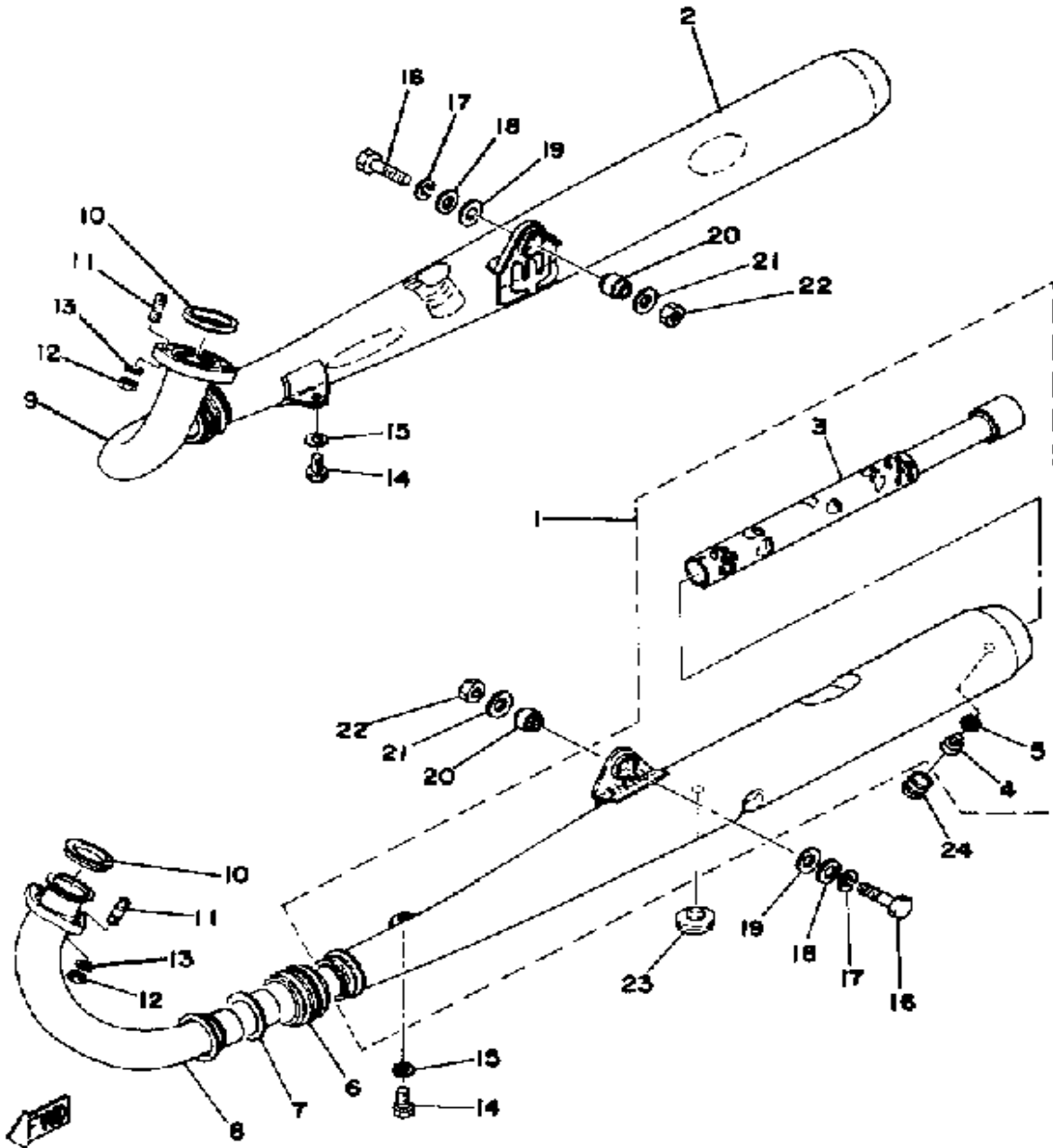
CARBURETOR



Ref. No.	Part Number	Description	Qty	Remarks
----------	-------------	-------------	-----	---------

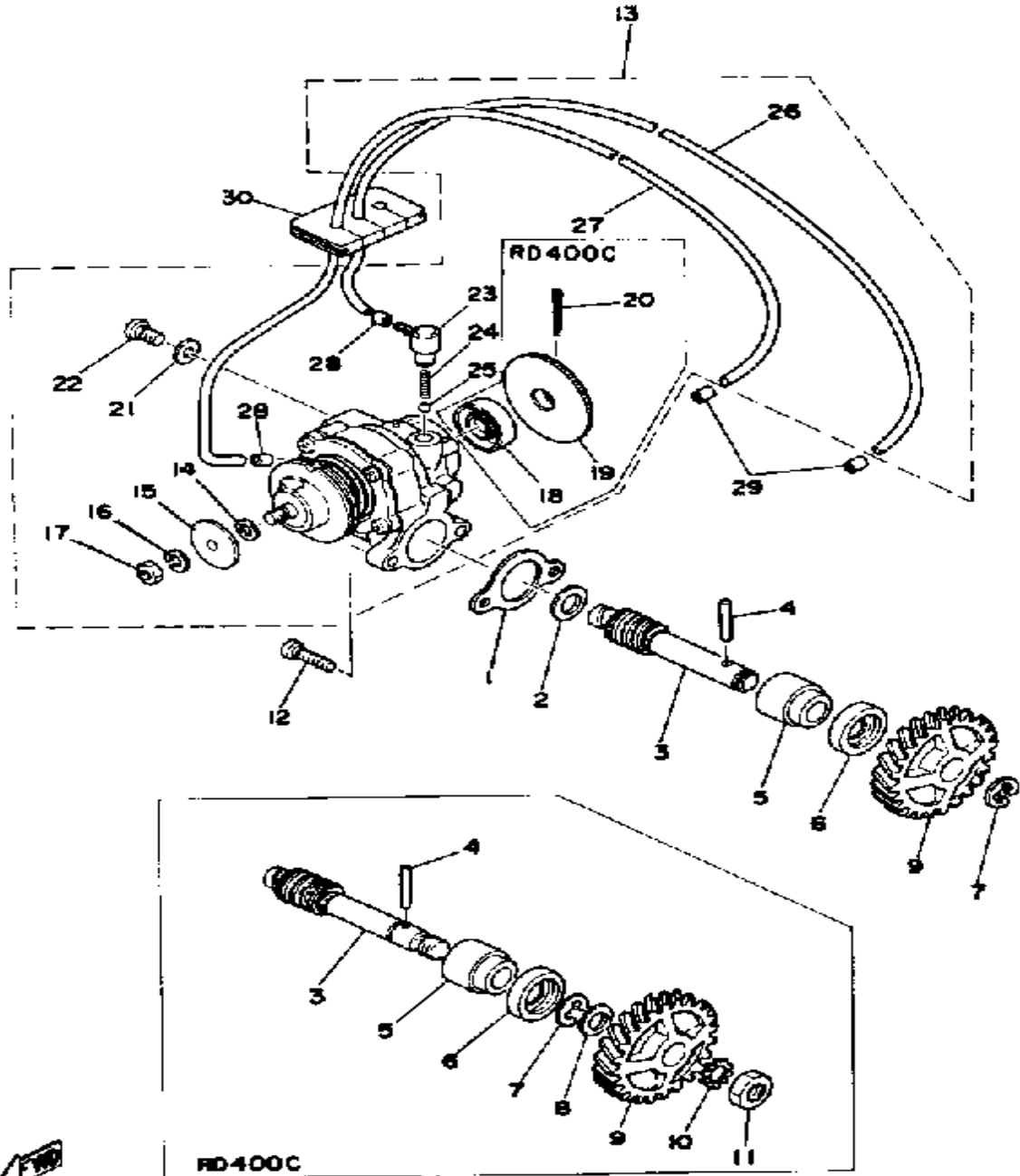
51	90445-09056-00	HOSE	1	
52	(1A1-14000-99-00)	NOZZLE	1	

EXHAUST



Ref. No.	Part Number	Description	Qty	Remarks
1	(1A1-14710-00-00)	MUFFLER ASSEMBLY L	1	
2	(1A1-14720-00-00)	MUFFLER ASSEMBLY R	1	
3	521-14753-00-00	. SILENCER, EXHAUST	2	
4	98580-06010-00	. SCREW, PAN HEAD (92503-06010)	2	
5	92995-06100-00	. WASHER, SPRING	2	
6	1A1-14615-02-00	JOINT, EXHAUST L	2	
7	1A1-14714-02-00	GASKET, MUFFLER	2	
8	(1A1-14611-00-00)	PIPE, EXHAUST L	1	
9	(1A1-14621-00-00)	PIPE, EXHAUST R	1	
10	1A0-14613-00-00	GASKET, EXST PIPE	2	
11	90116-08166-00	BOLT, STUD (246-14651-00)	4	
12	95333-08600-00	NUT, HEXAGON	4	
13	92990-08100-00	WASHER	4	
14	97313-08018-00	BOLT, HEXAGON (97301-08016)	2	
15	92990-08100-00	WASHER	2	
16	90101-10257-00	BOLT	2	
17	92990-10100-00	LOCKWASHER	2	
18	92990-10200-00	WASHER, PLAIN	2	
19	90201-10437-00	WASHER, PLATE	2	
20	168-21639-00-00	DAMPER 2	2	
21	90201-15239-00	WASHER, PLATE	2	
22	90179-10123-00	NUT, SPEC'L SHAPE	2	
23	1A0-27114-00-00	STOPPER, MAIN STAND	1	
	278-27114-00-00	STOPPER, MAIN STAND	1	
24	90480-14153-00	GROMMET	2	

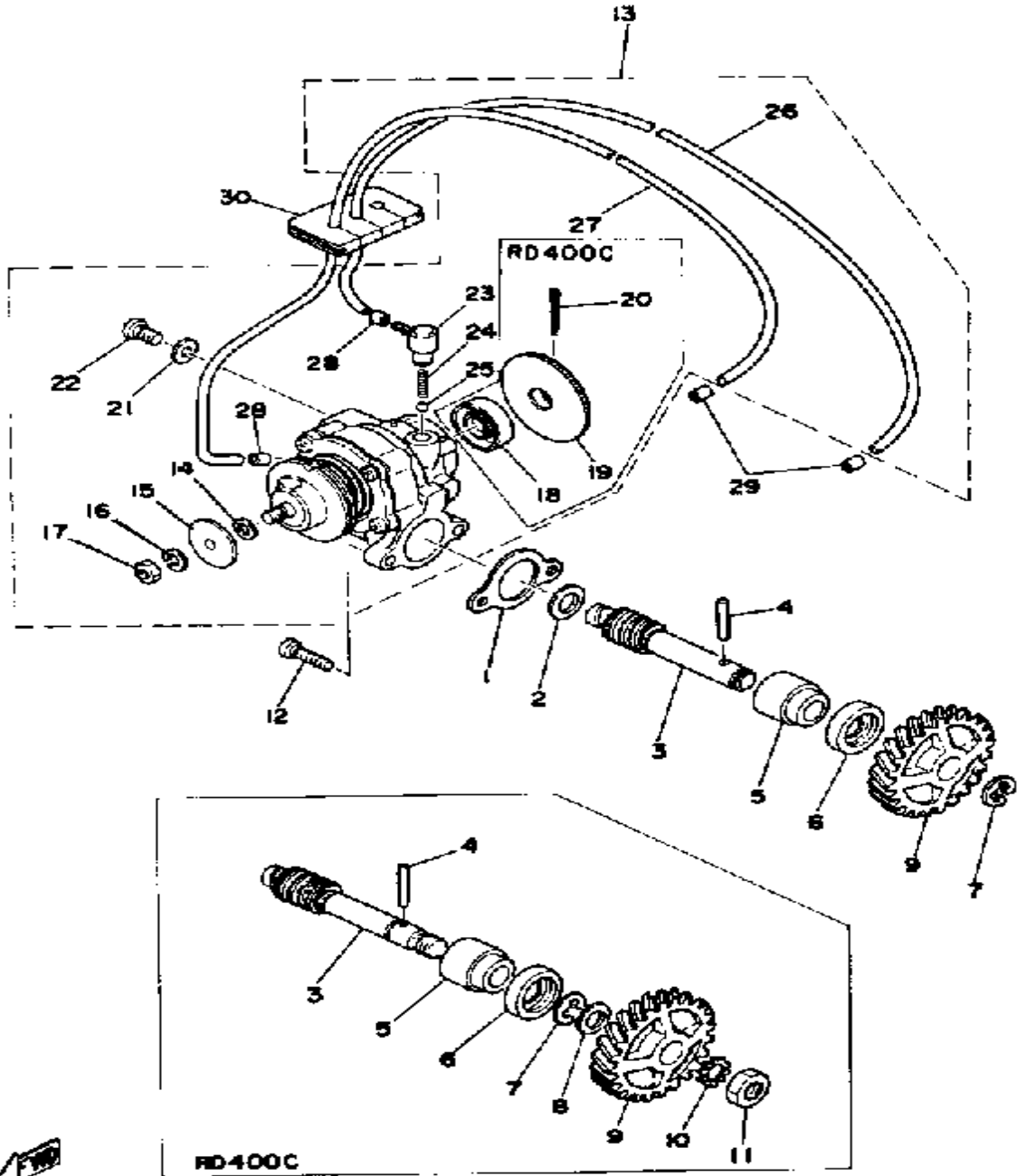
OIL PUMP



Ref. No.	Part Number	Description	Qty	Remarks
1	3MT-13116-00-00	GASKET, PUMP CASE (8Y0-13116-00)	1	
2	90201-08624-00	WASHER, PLATE	1	
3	(214-13175-01-00)	SHAFT, WORM	1	
	(214-13175-02-00)	SHAFT, WORM	1	
4	93603-22028-00	PIN, DOWEL	1	
5	1E7-13176-00-00	METAL, WRM SHAF OTR	1	
6	93101-10002-00	OIL SEAL	1	
7	99001-08600-00	CIRCLIP	1	
8	90201-105J4-00	WASHER, PLATE (90201-106H1)	1	
9	1A1-13178-00-00	GEAR, PUMP DRIVE	1	
10	92901-08400-00	WASHER, EX.TOOTH	1	
11	95303-08700-00	NUT	1	
12	98580-05016-00	SCREW, PAN HEAD (98501-05016)	2	
13	1A1-13101-01-00	OIL PUMP ASSEMBLY	1	
14	(137-13137-00-30)	SHIM, PLUNGER	1	
	137-13137-00-03	. SHIM (0.3T)	1	
	137-13137-00-05	. SHIM (0.5T)	1	
	137-13137-00-10	. SHIM (1.0T)	1	
	137-13137-00-50	. SHIM, PLUNGER	1	
15	137-13138-01-00	. PLATE, ADJUSTING	1	
16	92990-05100-00	. WASHER, SPRING	1	
17	95380-05600-00	. NUT	1	
18	93101-10090-00	. OIL SEAL	1	
19	(137-13128-00-00)	PLATE, STARTER	1	
20	91401-12018-00	. PIN, COTTER	1	
21	90430-04004-00	. GASKET	1	
22	98901-04008-00	. SCREW, BIND	1	

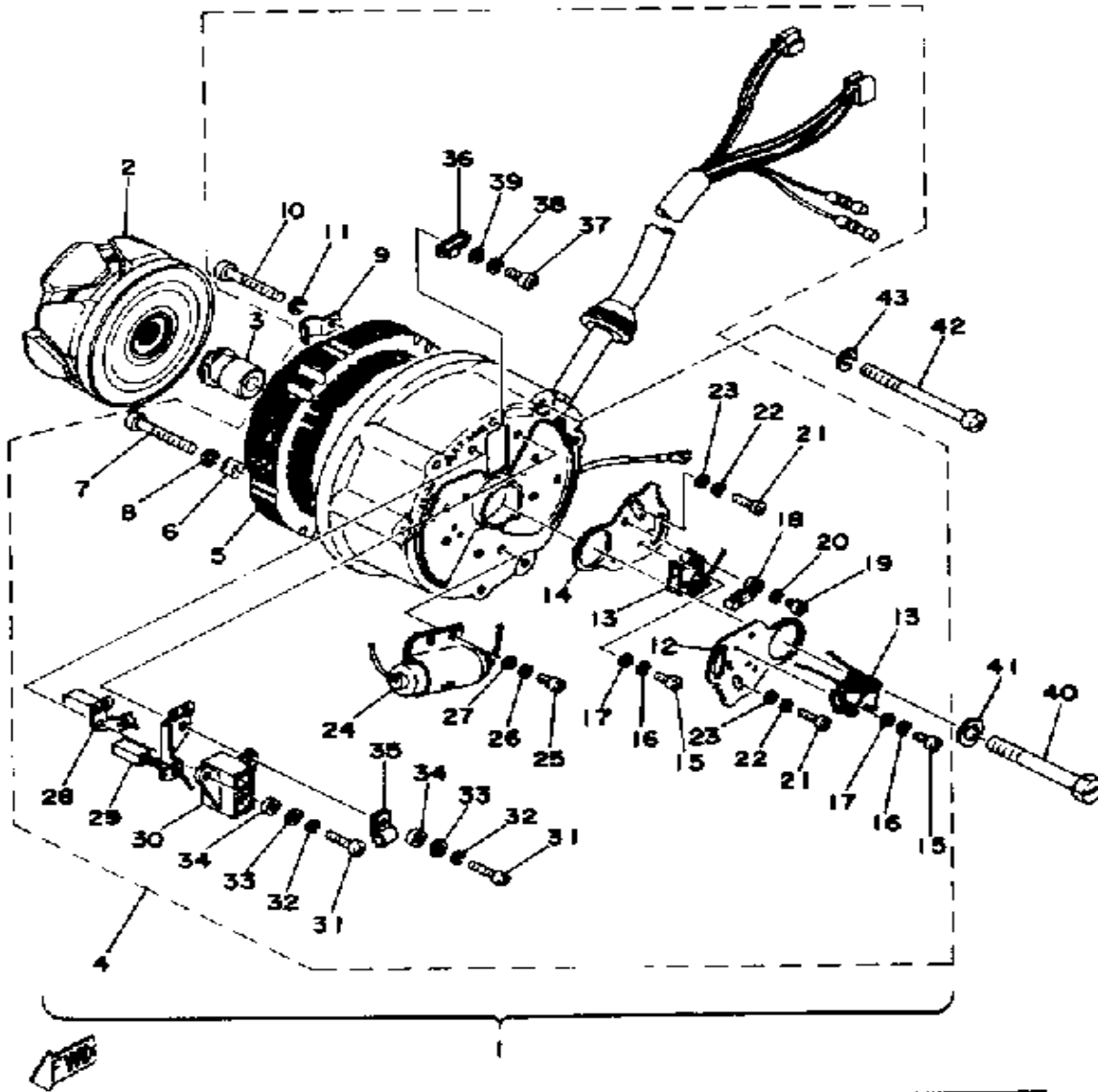
CONTINUED ON NEXT FRAME ►

OIL PUMP



Ref. No.	Part Number	Description	Qty	Remarks
23	353-13552-01-00	. NOZZLE	2	
24	90501-02018-00	. SPRING, COMPRESSION	2	
25	93505-32002-00	. BALL	2	
26	90445-05773-00	. HOSE	1	
27	90445-05301-00	. HOSE (214-13161-01)	1	
28	90468-02033-00	. CLIP	2	
29	90468-02033-00	CLIP	2	
30	278-13174-00-00	HOLDER, OIL PIPE	1	

A - C - GENERATOR

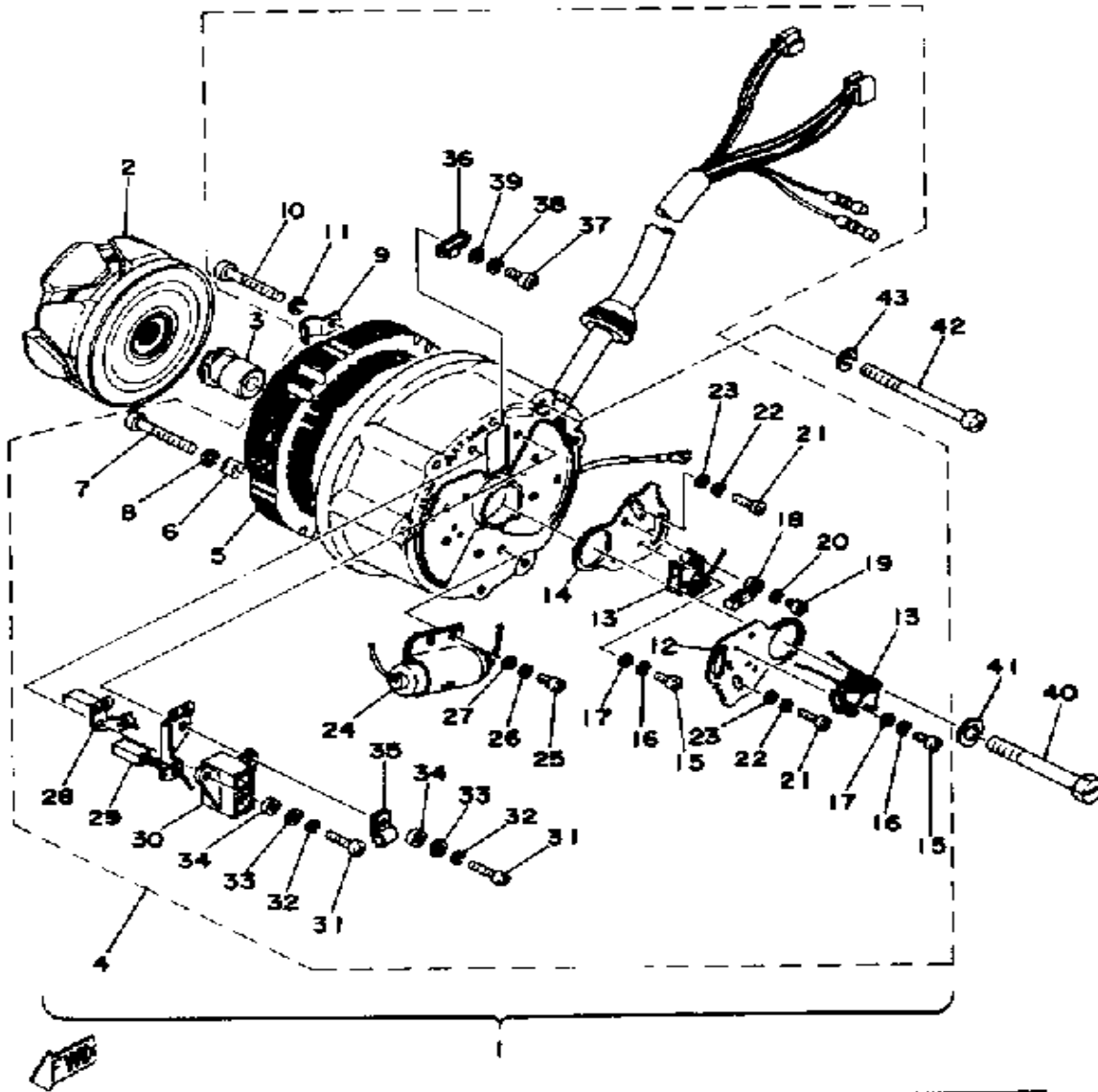


ELECTRICAL - Charging System (mfr.) (type)	Mitsubishi / A22015Y / A.C. Generator
Ign. Coil Min. Spark Gap/Pri. Res./Sec. Res.	8mm / 1.4Ω / 6.6KΩ
Condenser Capacity	0.22μF
Timing (advanced) (retarded)	2.3 ± 0.15mm B.T.D.C. / φ

Ref. No.	Part Number	Description	Qty	Remarks
1	(1A0-81600-20-00)	AC GENERATOR ASSEMBLY .	1	FOR U.S.A
	(1A0-81600-61-00)	AC GENERATOR ASSEMBLY .	1	FOR CANADA
2	1A0-81650-20-00	. ROTOR ASSEMBLY	1	
3	1A0-81651-20-00	. CAM	1	
4	(1A0-81610-20-00)	STATOR ASSEMBLY	1	FOR U.S.A.
	(1A0-81610-61-00)	STATOR ASSEMBLY	1	FOR CANADA
5	(169-28121-00-00)	POINT GAUGE	1	
	(1A0-81640-20-00)	ARMATURE ASSEMBLY	1	FOR U.S.A.
	(ACC-01100-55-00)	TUNE KIT RD400C		TUNE-UP KIT
	1A0-81621-20-00	. CONTACT BRKR ASSEMBLY	2	
	1A0-81640-60-00	.. ARMATURE ASSEMBLY . . .	1	FOR CANADA
	360-81625-90-00	. CONDENSER 1	1	
	NGK-B8ES0-00-00	. PLUG, SPARK (NGK B8ES) ..	2	
6	(1A0-81639-20-00)	PLATE, ARMTR FTNG	2	
7	98501-05035-00	.. SCREW, PAN HEAD	2	
8	92990-05100-00	.. WASHER, SPRING	2	
9	(1A0-81627-20-00)	BRACKET, CONDENSER	1	
10	98501-05035-00	.. SCREW, PAN HEAD	1	
11	92990-05100-00	.. WASHER, SPRING	1	
12	(1A0-81624-20-00)	PLATE, CONTACT BRKR	1	
13	1A0-81621-20-00	.. CONTACT BRKR ASSEMBLY	2	
14	1A0-81623-20-00	.. PLATE, CONTACT BRKR . . .	1	
15	98580-04008-00	.. SCREW, PAN HEAD	2	
16	92901-04100-00	.. WASHER, SPRING	2	
17	92990-04200-00	.. WASHER, PLAIN	2	
18	(131-81231-20-00)	LUBRICATOR	1	
19	98511-04006-00	.. SCREW, PAN HEAD (98501-04005)	1	
20	92901-04100-00	.. WASHER, SPRING	1	

CONTINUED ON NEXT FRAME ►

A - C - GENERATOR

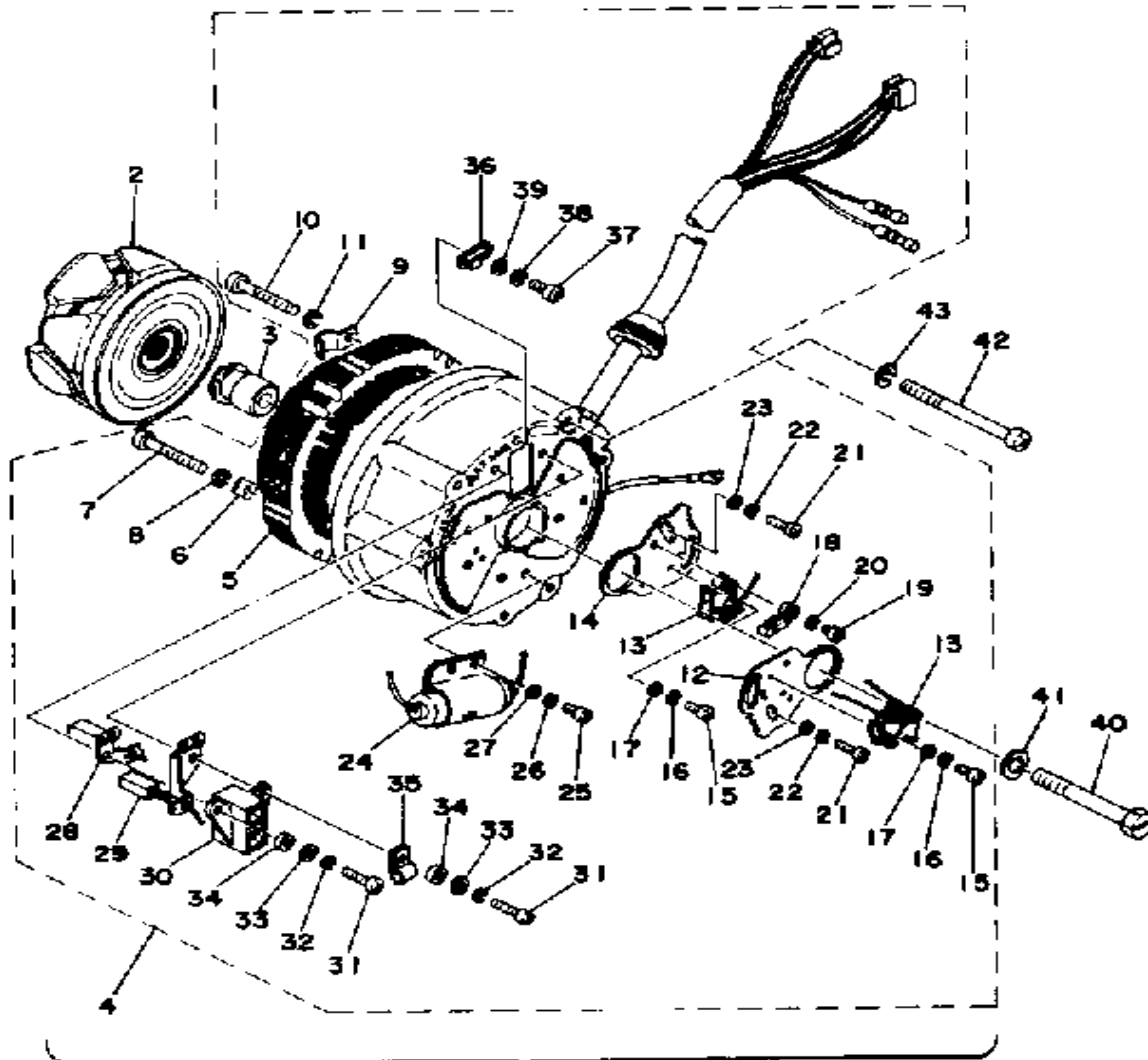


ELECTRICAL - Charging System (mfr.) (type)	Mitsubishi / AZ2015Y / A.C. Generator
Ign. Coil Min. Spark Gap/Pri. Res./Sec. Res.	8mm / 1.4Ω / 6.6KΩ
Condenser Capacity	0.22μF
Timing (advanced) (retarded)	2.3 ± 0.15mm B.T.D.C. / φ

Ref. No.	Part Number	Description	Qty	Remarks
21	(169-28121-00-00)	POINT GAUGE	1	TUNE-UP KIT
	(ACC-01100-55-00)	TUNE KIT RD400C		TUNE-UP KIT
	1A0-81621-20-00	. CONTACT BRKR ASSEMBLY	2	TUNE-UP KIT
	360-81625-90-00	. CONDENSER 1	1	TUNE-UP KIT
	98511-04012-00	.. SCREW, PAN HEAD	4	
	NGK-B8ES0-00-00	. PLUG, SPARK (NGK B8ES) ..	2	TUNE-UP KIT
22	92901-04100-00	.. WASHER, SPRING	4	
23	92990-04200-00	.. WASHER, PLAIN	4	
24	360-81625-90-00	.. CONDENSER 1	1	
25	98580-04010-00	.. SCREW, PAN HEAD	2	
26	92901-04100-00	.. WASHER, SPRING	2	
27	92990-04200-00	.. WASHER, PLAIN	2	
28	1A0-81611-20-00	. BRUSH 1	1	
29	1A0-81612-20-00	.. BRUSH 2	1	
30	1A0-81613-20-00	.. HOLDER, BRUSH	1	
31	98506-04018-00	.. SCREW, PAN HEAD	2	
32	92901-04100-00	.. WASHER, SPRING	2	
33	92990-04200-00	.. WASHER, PLAIN	2	
34	(1A0-81661-20-00)	SPACER	2	
35	(1A0-81628-20-00)	CLAMP	1	
36	(169-28121-00-00)	POINT GAUGE	1	TUNE-UP KIT
	(1A0-81632-20-00)	PLATE, TIMING	1	
	(ACC-01100-55-00)	TUNE KIT RD400C		TUNE-UP KIT
	1A0-81621-20-00	. CONTACT BRKR ASSEMBLY	2	TUNE-UP KIT
	360-81625-90-00	. CONDENSER 1	1	TUNE-UP KIT
	NGK-B8ES0-00-00	. PLUG, SPARK (NGK B8ES) ..	2	TUNE-UP KIT
37	98580-04010-00	.. SCREW, PAN HEAD	1	
38	92901-04100-00	.. WASHER, SPRING	1	
39	92990-04200-00	.. WASHER, PLAIN	1	

CONTINUED ON NEXT FRAME ➤

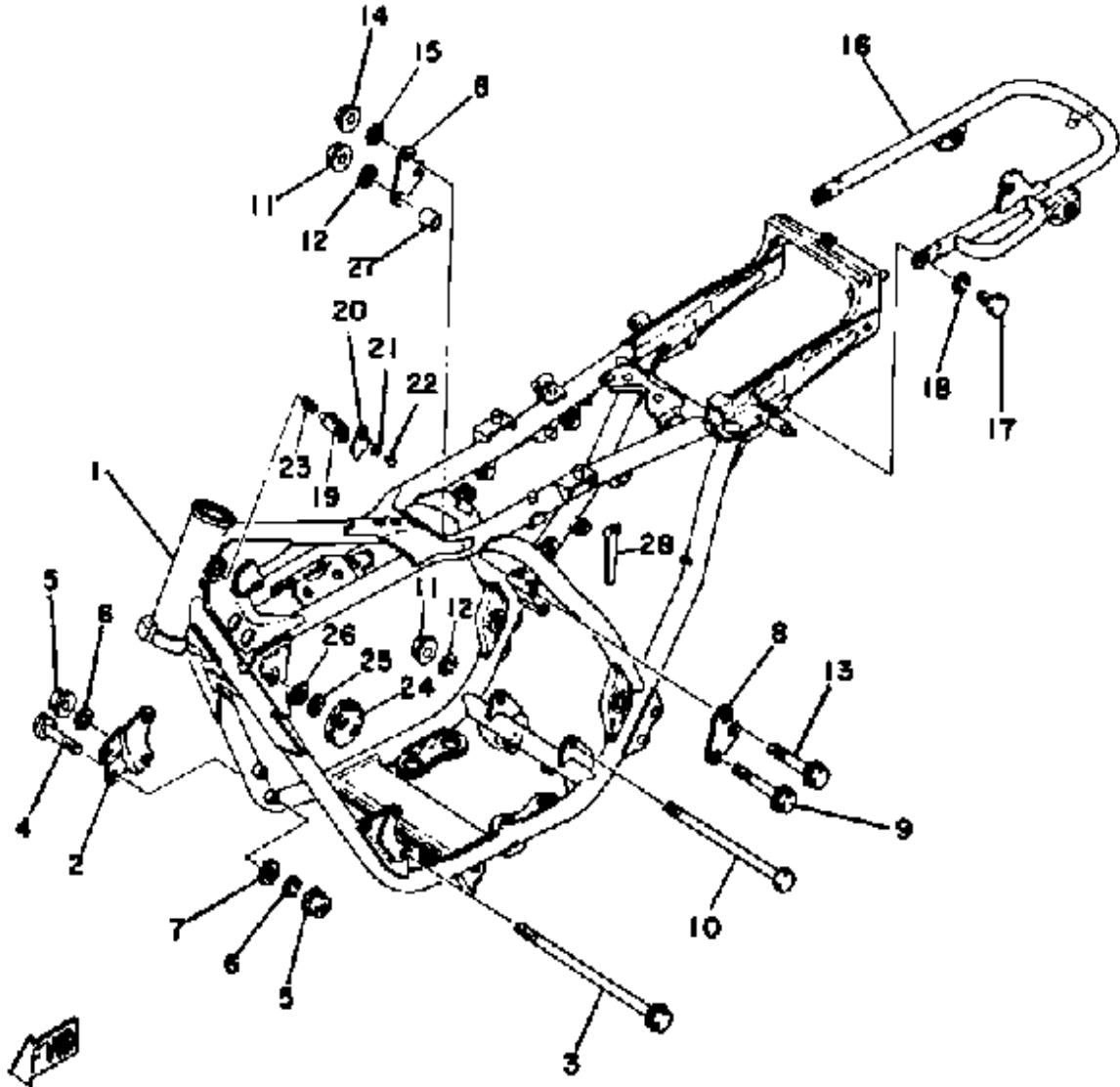
A - C - GENERATOR



Ref. No.	Part Number	Description	Qty	Remarks
40	90143-07022-00	SCREW, HEXAGON	1	
41	92990-08100-00	WASHER	1	
42	98501-06070-00	SCREW, PAN HEAD	3	
43	92995-06100-00	WASHER, SPRING	3	

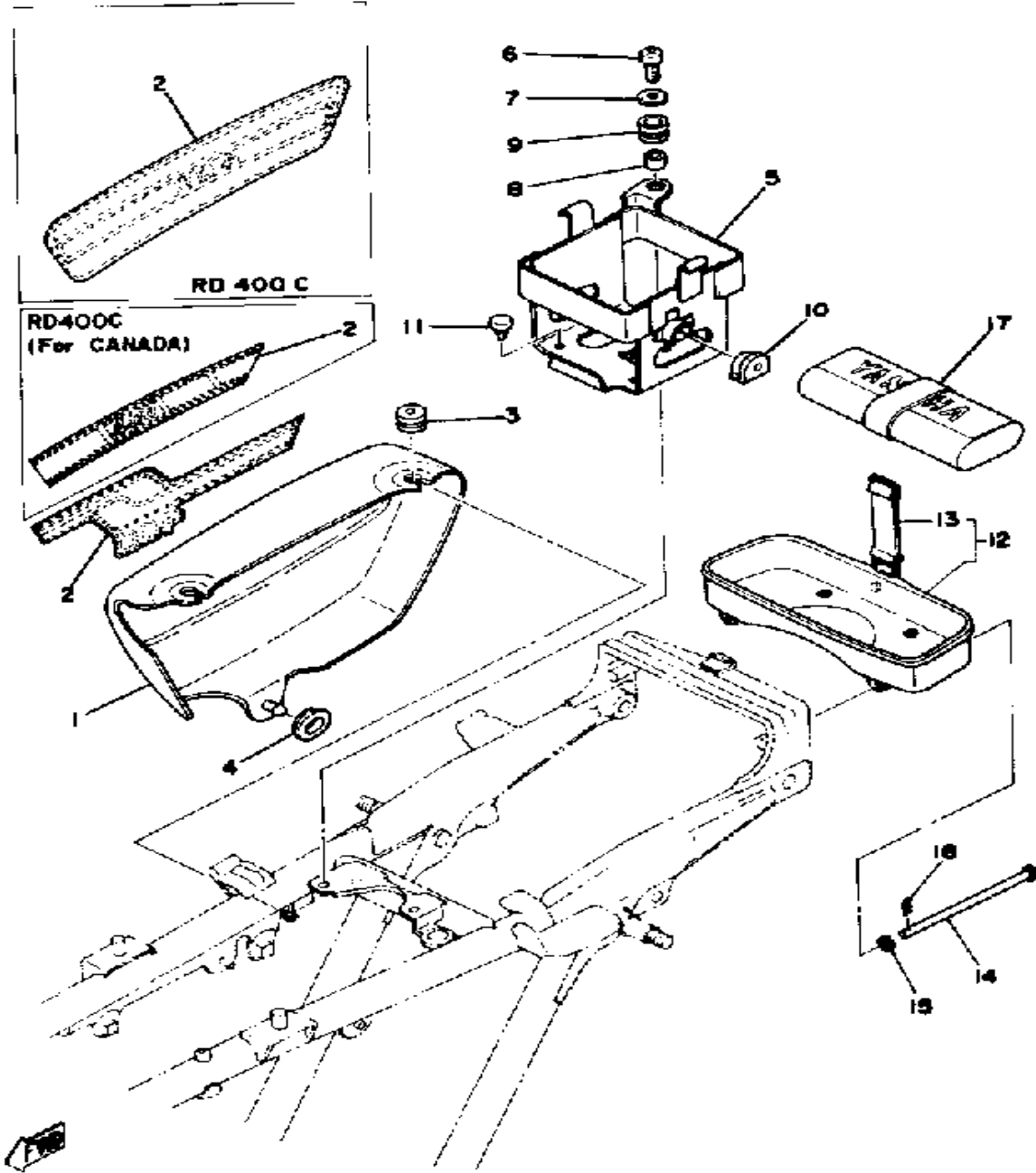
ELECTRICAL - Charging System (mfr./type)	Mitsubishi / A22015Y / A.C. Generator
Ign. Coil Min. Spark Gap/Pri. Res./Sec. Res.	8mm / 1.4Ω / 6.6KΩ
Condenser Capacity	0.22μF
Timing (advanced) (retarded)	2.3 ± 0.15mm B.T.D.C. / φ

FRAME



Ref. No.	Part Number	Description	Qty	Remarks
1	(1A1-21110-00-33)	FRAME	1	YAMAHA BLK
2	1A0-21317-00-00	UNAVAILABLE IN PRICE BOOK	1	
3	90105-08033-00	BOLT, WASHER BASED	2	
4	95811-08055-00	BOLT, FLANGE	2	
5	95701-08500-00	NUT, FLANGE	4	
6	92990-08100-00	WASHER	4	
7	92990-08200-00	WASHER, PLAIN	2	
8	1A1-21315-00-00	STAY, ENGINE 2	2	
9	95811-10070-00	BOLT, flange (95812-10070-00)	1	
	95821-10080-00	BOLT, FLANGE	1	
10	90101-10297-00	BOLT	1	
11	95701-10500-00	NUT, FLANGE (95702-10500) ..	2	
12	92990-10100-00	LOCKWASHER	2	
13	95811-08070-00	BOLT, FLANGE	2	
14	95701-08500-00	NUT, FLANGE	2	
15	92990-08100-00	WASHER	2	
16	(1A0-21645-01-00)	STAY, REAR	1	
17	97313-08020-00	BOLT, HEXAGON	2	
18	92990-08100-00	WASHER	2	
19	2A6-23408-00-00	STEERING LOCK ASSEMBLY .	1	
20	3DM-23484-00-00	CAP, HANDLE LOCK	1	
21	90206-04003-00	WASHER, WAVE (214-23488-00)	1	
22	90269-04003-00	RIVET	1	
23	90502-09024-00	SPRING, CONICAL	1	
24	355-85111-01-00	REFLECTOR, FRONT 1	2	
25	92990-05100-00	WASHER, SPRING	2	
26	92990-05200-00	WASHER, PLAIN	2	
27	90387-12101-00	COLLAR	1	
28	437-83936-11-00	BAND, SWITCH CORD	1	

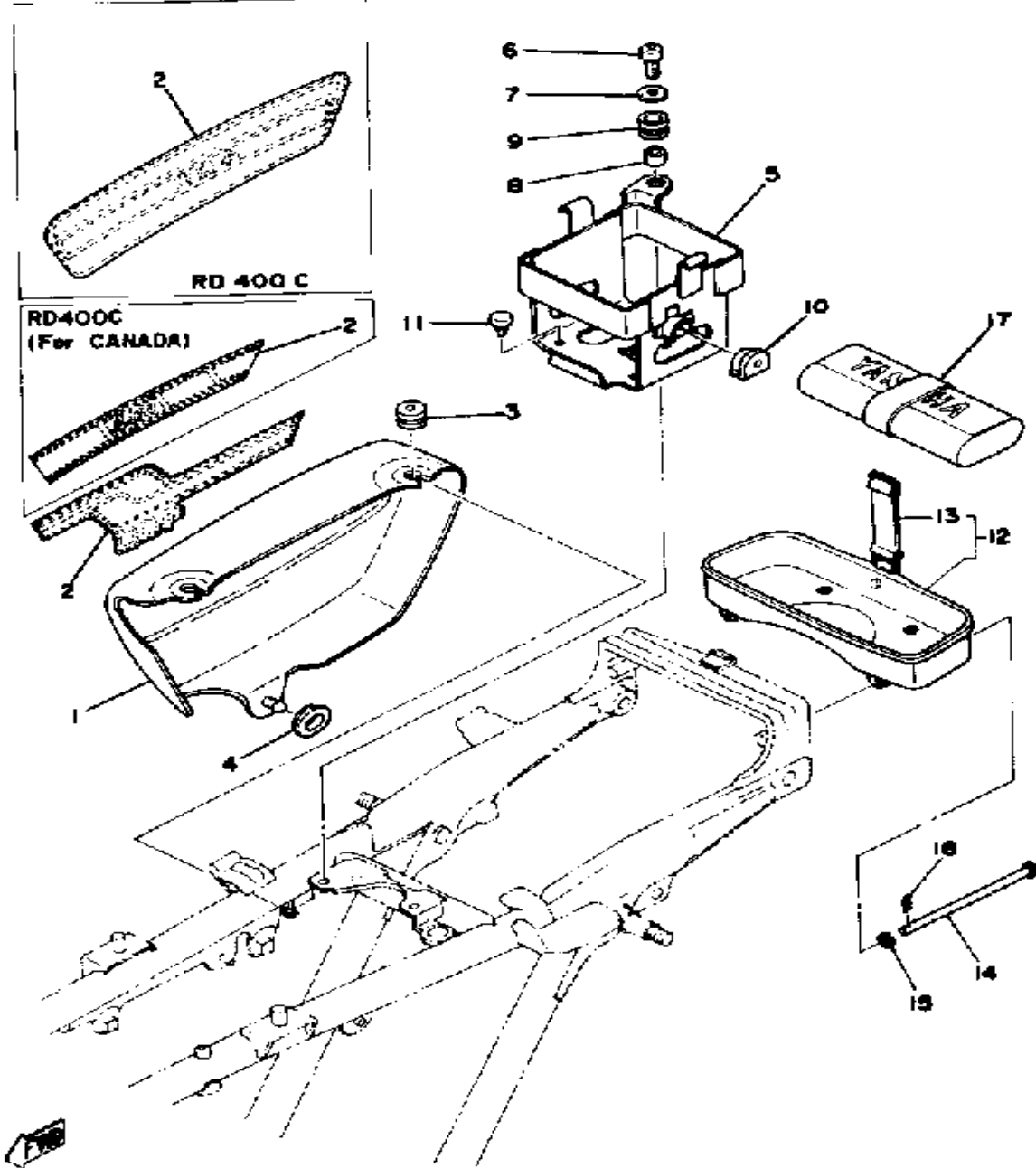
SIDE COVER - BOX



Ref. No.	Part Number	Description	Qty	Remarks
1	(1A1-21721-00-98)	UNAVAILABLE IN PRICE BOOK	1	FOR CANADAN/A
	(1A1-21721-00-E1)	COVER, SIDE 2	1	CHAPPY REDFOR U.S.A.FOR CANADA
	(1A1-21721-00-G3)	COVER, SIDE 2	1	FRENCH BLUEFOR U.S.A.
	(1A1-21721-00-K6)	COVER, SIDE 2	1	GENEVA GREENFOR U.S.A.
2	(1A1-21783-00-00)	GRAPHIC 3	1	CHAPPY REDFOR U.S.A.
	(1A1-21783-10-00)	UNAVAILABLE IN PRICE BOOK	1	FOR CANADAN/A
	(1A1-21784-40-00)	EMBLEM 4	1	FRENCH BLUEFOR U.S.A.
	(1A1-21784-50-00)	EMBLEM 4	1	CHAPPY REDFOR U.S.A.FOR CANADA
	1A1-21783-30-00	GRAPHIC 3	1	GENEVA GREENFOR U.S.A.
3	90480-12053-00	GROMMET	2	
4	90480-01401-00	GROMMET	1	
5	(1A0-21170-01-33)	BOX, BATT.	1	YAMAHA BLK
6	98511-06025-00	SCREW PAN HEAD (92501-06025)	1	
	98580-06020-00	SCREW	1	
7	90201-06067-00	WASHER, PLATE	1	
8	90387-07390-00	COLLAR	1	
9	90480-14023-00	GROMMET	1	
10	1A0-21746-01-00	DAMPER	2	
11	1A1-21717-00-00	UNAVAILABLE IN PRICE BOOK	4	
12	(1A0-21107-00-00)	TOOL BOX	1	
13	122-82131-00-00	. BAND, BATTERY	1	
14	91701-05120-00	PIN, CLEVIS	2	
15	92901-05600-00	WASHER, PLATE	2	

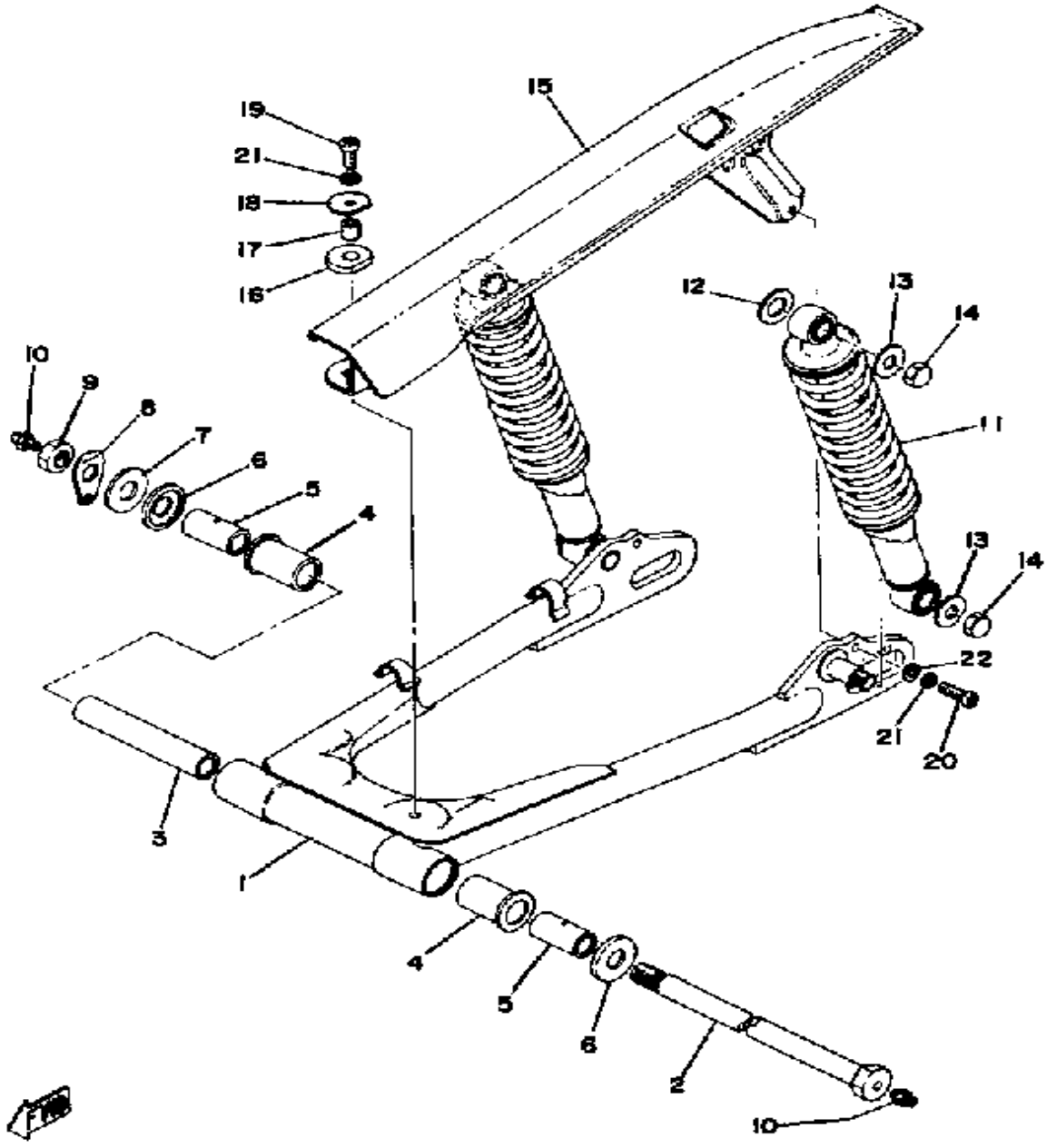
CONTINUED ON NEXT FRAME ➤

SIDE COVER - BOX



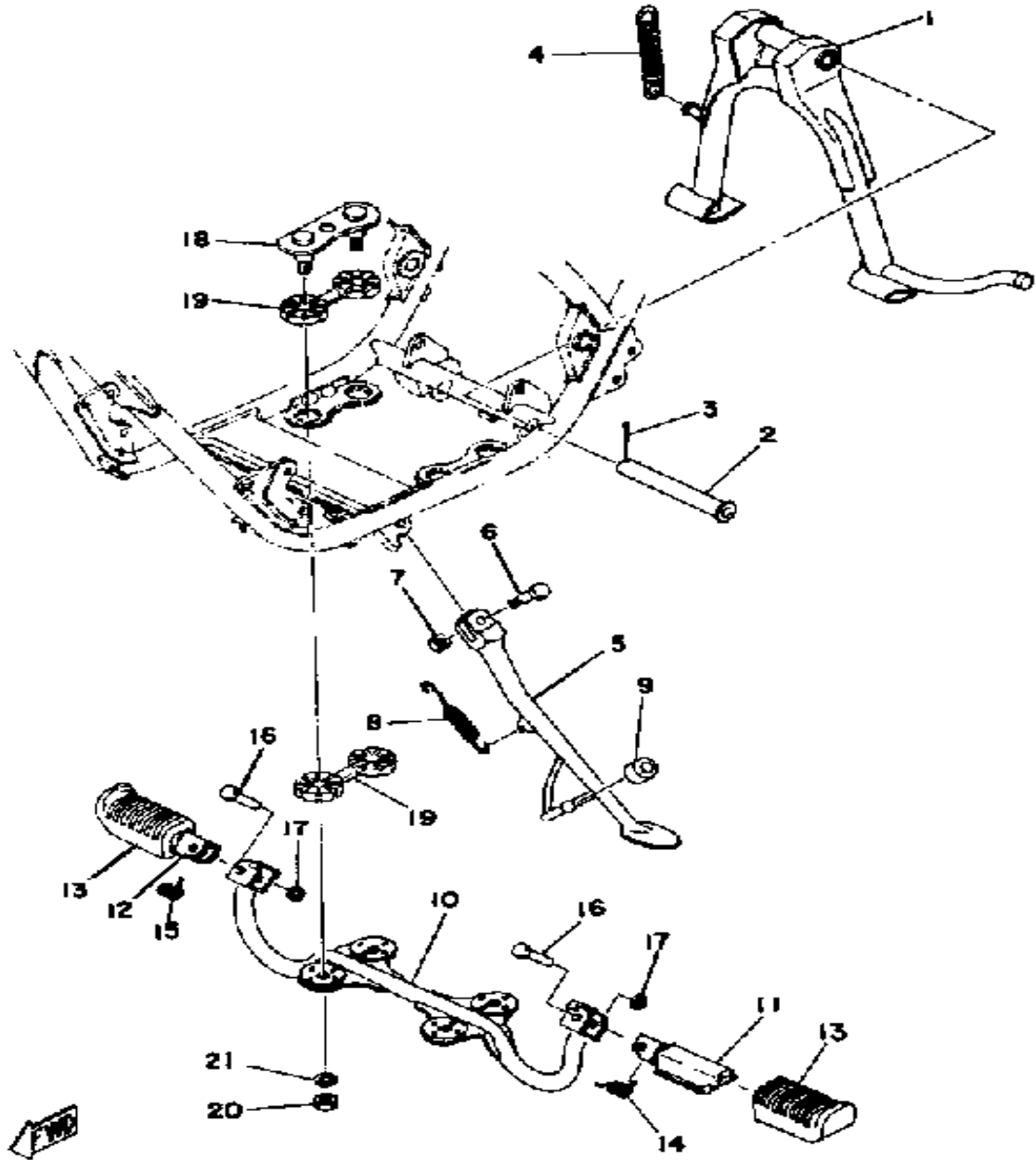
Ref. No.	Part Number	Description	Qty	Remarks
16	90468-10050-00	CLIP	2	
17	1KT-W2810-00-00	TOOL KIT	1	

REAR ARM - REAR CUSHION - CHAIN C



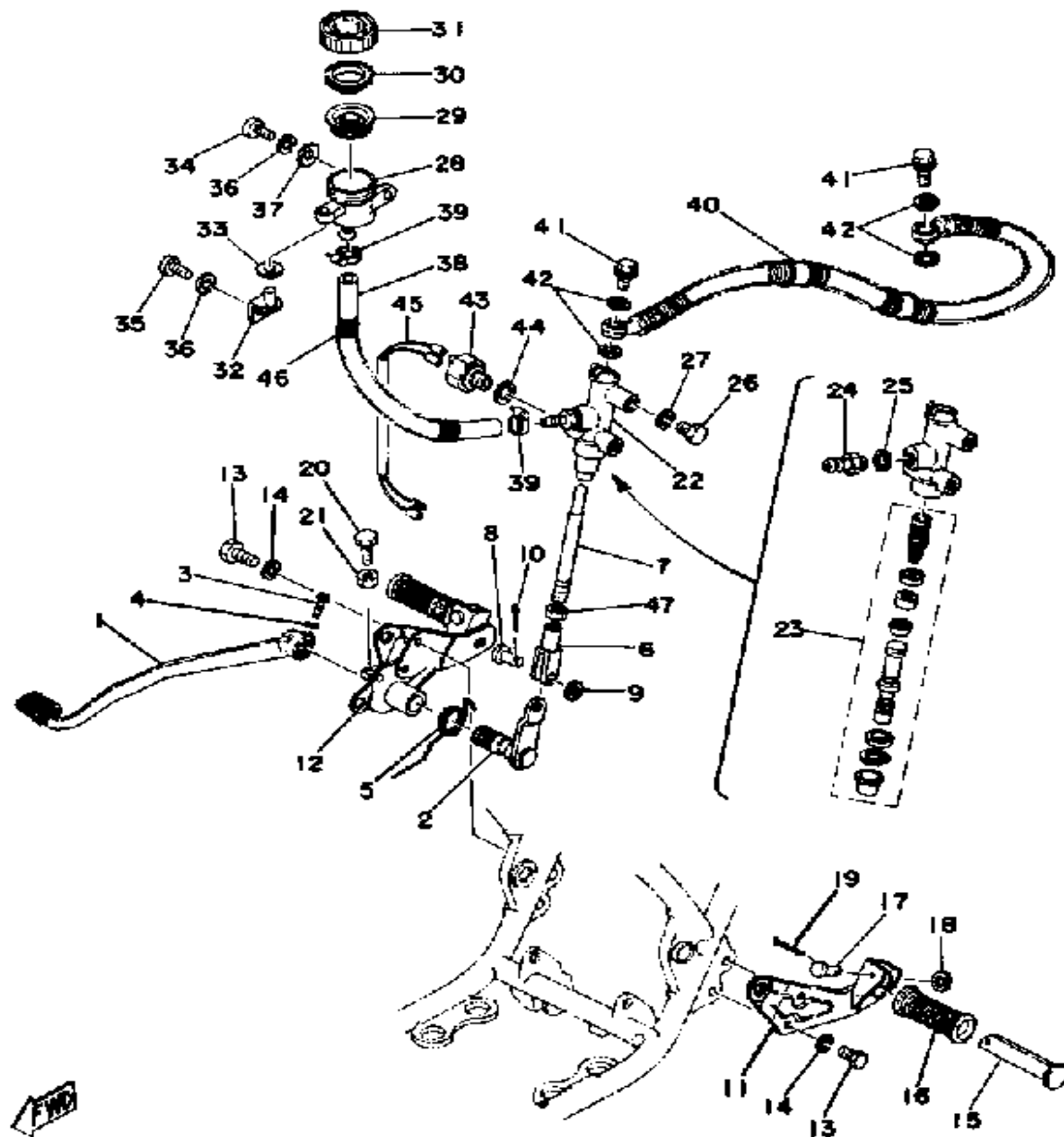
Ref. No.	Part Number	Description	Qty	Remarks
1	(1A1-22110-01-33)	REAR ARM	1	
2	156-22141-00-00	SHAFT, PIVOT	1	
3	90387-16128-00	COLLAR (150-22126-00)	1	
4	90386-22018-00	BUSH, SPEC'L NYLON (148-22123-00)	2	
5	90387-16226-00	COLLAR (150-22124-00)	2	
6	1A0-22128-00-00	COVER, THRUST 1	2	
7	240-22127-00-00	SHIM	1	
8	1A0-22149-00-00	WASHER, LOCK	1	
9	90170-14403-00	NUT	1	
10	93700-06M03-00	NIPPLE, GREASE	2	
11	1A1-22210-22-93	SHK/ABS ASSEMBLY, REAR (1A1-22210-21)	2	
12	90201-14218-00	WASHER, PLATE	2	
13	90201-10437-00	WASHER, PLATE	4	
14	90176-10013-00	NUT, CROWN	4	
15	1A0-22311-00-33	CASE, CHAIN	1	
16	278-22332-00-00	DAMPER, CHAIN CASE	1	
17	90387-062N2-00	COLLAR	1	
18	90209-06034-00	WASHER, SPEC'L SHAP	1	
19	98580-06020-00	SCREW	1	
20	98580-06018-00	SCREW, PAN HEAD	1	
21	92995-06100-00	WASHER, SPRING	2	
22	92901-06600-00	WASHER	1	

STAND - FOOTREST



Ref. No.	Part Number	Description	Qty	Remarks
1	(278-27111-00-00)	STAND, MAIN	1	
2	278-27112-00-00	SHAFT, MAIN STAND	1	
3	91401-30030-00	PIN, COTTER	1	
4	90506-35058-00	SPRING, TENSION	1	
5	1A0-27311-00-33	STAND, SIDE	1	
6	90109-08034-00	BOLT	1	
7	90170-08158-00	NUT	1	
8	90507-25023-00	SPRING, TENSION	1	
9	278-27314-00-00	STOPPER	1	
10	(1A0-27412-01-00)	BRACKET, FOOTREST 1	1	
11	1J7-27451-00-00	FOOTREST	1	
12	1A0-27461-00-00	FOOTREST	1	
13	1A0-27413-00-00	COVER, FOOTREST	2	
14	90508-20154-00	SPRING, TORSION	1	
15	90508-20155-00	SPRING, TORSION	1	
16	90243-08006-00	PIN	2	
17	90201-06042-00	WASHER, PLATE	2	
18	(1A0-27416-00-00)	BOLT, FOOTREST	2	
19	1A0-27414-00-00	DAMPER, FOOTREST	4	
20	95303-10600-00	NUT (95301-10600)	4	
	95701-10500-00	NUT, FLANGE (95702-10500)	4	
21	92990-10100-00	LOCKWASHER	4	

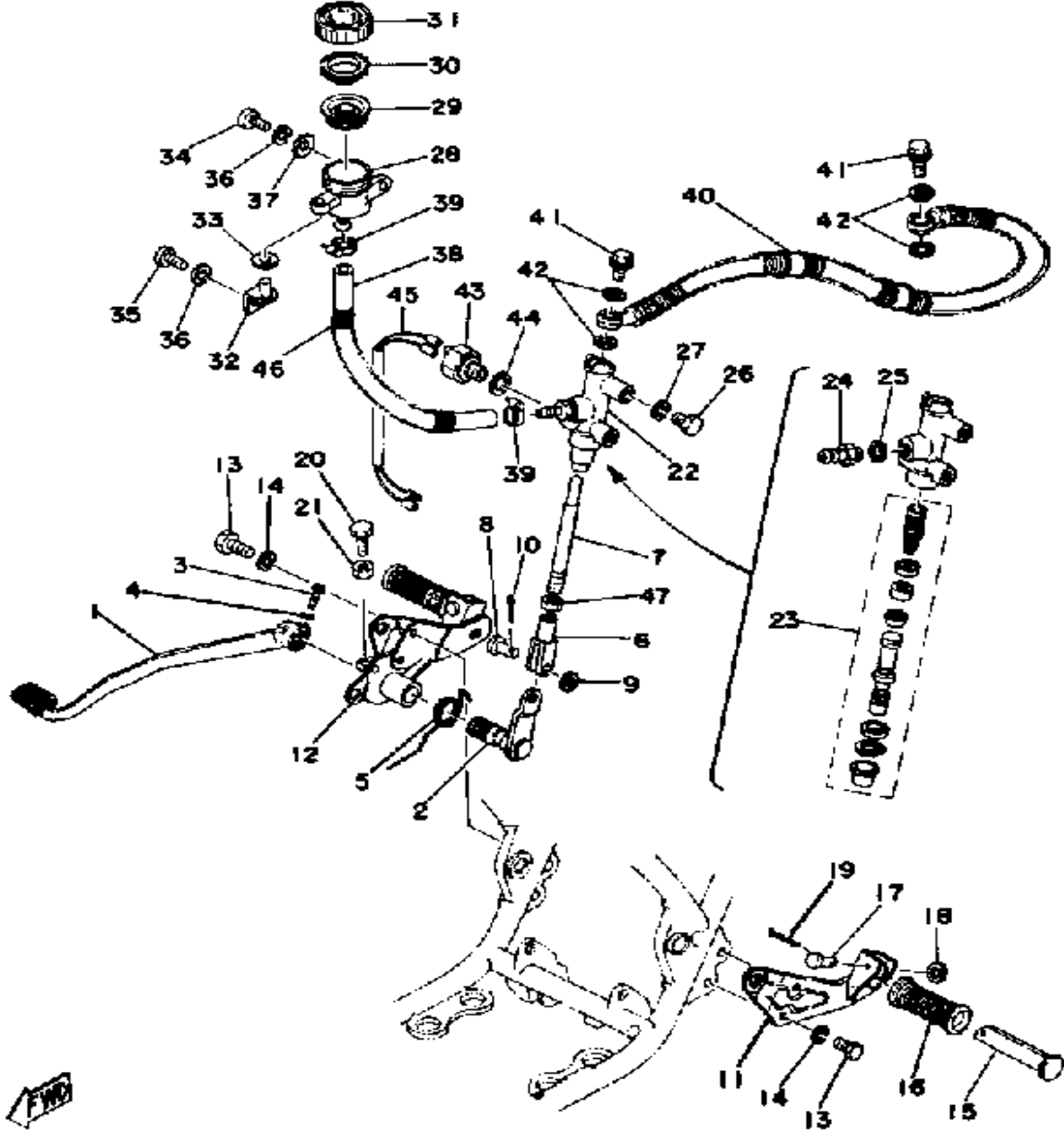
BRAKE PEDAL - MASTER CYLINDER



Ref. No.	Part Number	Description	Qty	Remarks
1	1A0-27211-00-33	PEDAL, BRAKE	1	YAMAHA BLK
2	(1A1-27212-00-00)	SHAFT, BRAKE PEDAL	1	
3	97011-06025-00	BOLT (97001-06025)	1	
	97021-06030-00	BOLT	1	
4	92995-06100-00	WASHER, SPRING	1	
5	90508-40348-00	SPRING, TORSION (90508-35302)	1	
6	1A1-27222-01-00	JOINT	1	
7	1A1-27231-01-00	ROD, BRAKE	1	
8	90240-08013-00	PIN, CLEVIS	1	
9	90201-08083-00	WASHER, PLATE	1	
10	91490-16020-00	PIN, COTTER	1	
11	(1A0-21445-01-33)	STAY, MUFFLER 1	1	YAMAHA BLK
12	(1A0-21446-01-33)	STAY, MUFFLER 2	1	YAMAHA BLK
13	97313-08020-00	BOLT, HEXAGON	4	
14	92990-08100-00	WASHER	4	
15	120-27431-00-00	FOOTREST, REAR 1	2	
16	120-27433-00-00	COVER, REAR FOOTREST	2	
17	91701-06035-00	PIN, CLEVIS	2	
18	90201-20279-00	WASHER, PLATE	2	
19	91490-16020-00	PIN, COTTER	2	
20	90101-06288-00	BOLT	1	
21	95380-06700-00	NUT	1	
22	1A1-25850-50-00	MSTR CYLINDER ASSEMBLY	1	
23	1A1-20000-50-00	. CYLINDER KIT	1	
24	(1A1-25899-50-00)	BOLT, UNION	1	
25	(1A1-25898-50-00)	GASKET	1	
26	97313-08018-00	BOLT, HEXAGON (97301-08016)	2	
27	92990-08100-00	WASHER	2	

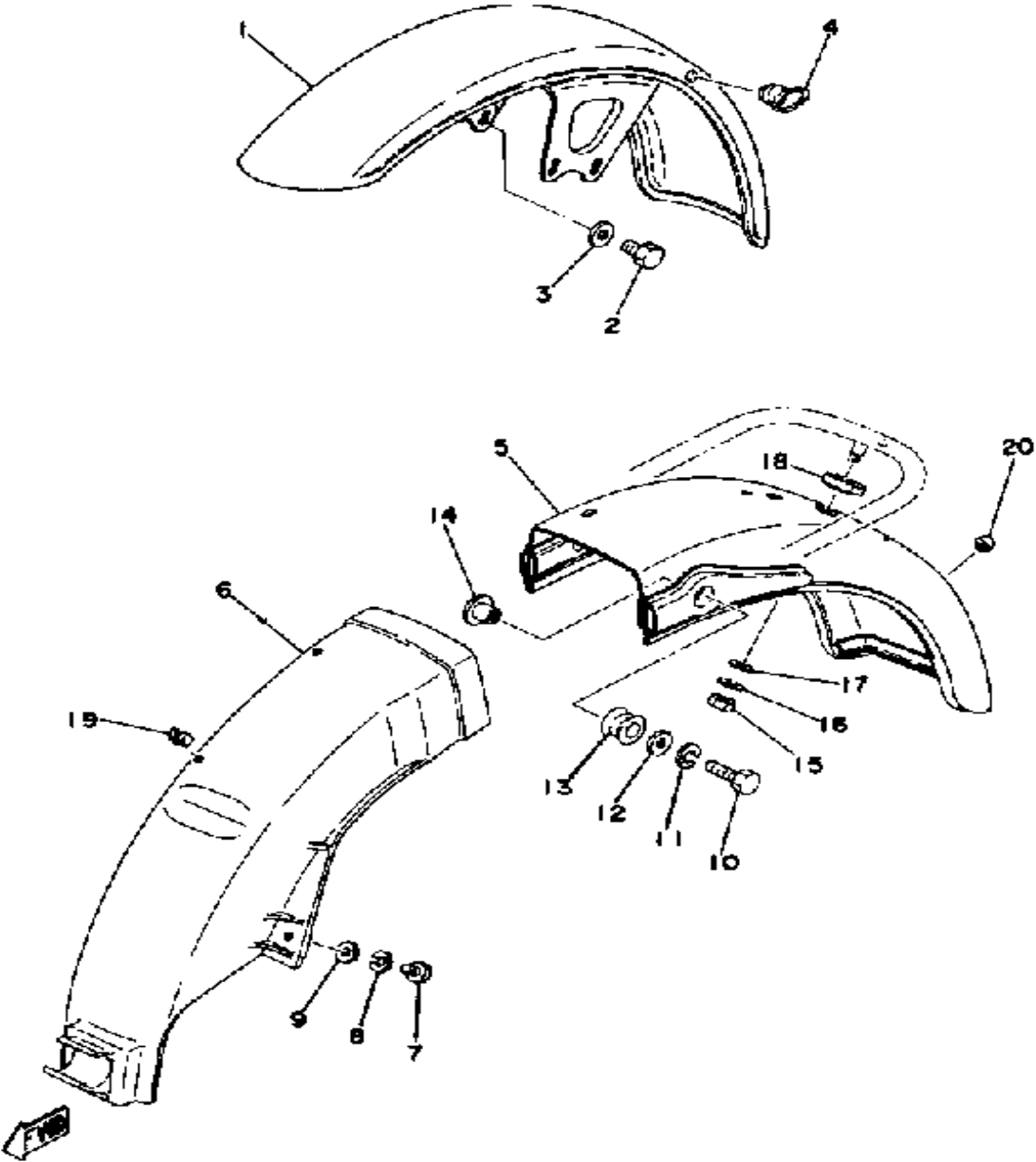
CONTINUED ON NEXT FRAME ►

BRAKE PEDAL - MASTER CYLINDER



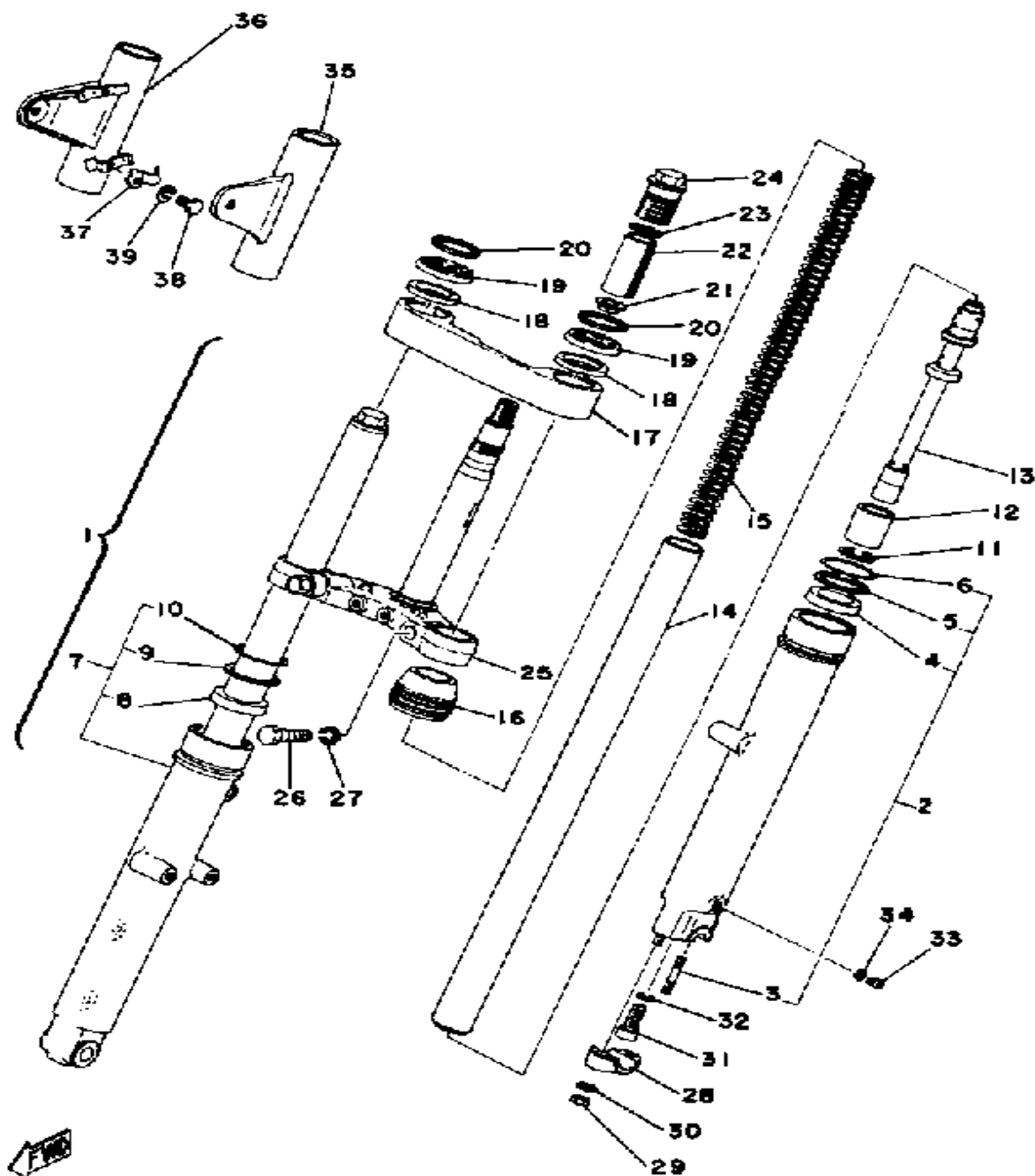
Ref. No.	Part Number	Description	Qty	Remarks
28	1A1-25894-01-00	TANK, RESERVOIR	1	
29	360-25854-00-00	DIAPHRAGM, RESERVOIR	1	
30	2GU-25855-00-00	BUSH, DIAPHRAGM	1	
31	2KF-25852-50-00	CAP, RESERVOIR	1	
32	(1A1-21798-00-00)	BRACKET, DAMPER	1	
33	90201-06050-00	WASHER, PLATE	1	
34	98580-06018-00	SCREW, PAN HEAD	1	
35	98503-06014-00	SCREW, PAN HEAD (92502-06016)	1	
36	92995-06100-00	WASHER, SPRING	2	
37	92990-06200-00	WASHER	1	
38	1A1-25895-00-00	HOSE, RESERVOIR	1	
39	90601-11525-00	CLAMP, HOSE	2	
40	(1A1-25872-52-00)	HOSE, BRAKE 1	1	
41	90401-10034-00	BOLT, UNION	2	
42	90201-10118-00	WASHER, PLATE	4	
43	341-83980-30-00	STOP SWITCH ASSEMBLY	1	
44	90201-10128-00	WASHER, PLATE	1	
45	(1A1-82531-00-00)	WIRE, LEAD	1	
46	(90501-10406-00)	SPRING, COMPRESSION	1	
47	95303-08700-00	NUT	1	

FRONT FENDER - REAR FENDER



Ref. No.	Part Number	Description	Qty	Remarks
1	1A0-21510-02-93	FENDER, FRONT	1	
2	97313-08018-00	BOLT, HEXAGON (97301-08016)	4	
3	(90201-08097-00)	WASHER, PLATE	4	
4	1A0-21518-00-00	HOLDER, CABLE	1	
5	(1A0-21610-01-93)	FENDER, REAR	1	
6	(1A0-21629-01-00)	GUARD, MUD	1	
7	97313-06016-00	BOLT, HEXAGON	2	
8	92995-06100-00	WASHER, SPRING	2	
9	92901-06600-00	WASHER	2	
10	97301-10035-00	BOLT, HEXAGON	2	
11	92990-10100-00	LOCKWASHER	2	
12	92990-10600-00	WASHER, PLATE	2	
13	168-21639-00-00	DAMPER 2	2	
14	90179-10220-00	NUT, SPEC'L SHAPE	2	
15	95380-06600-00	NUT	1	
16	92995-06100-00	WASHER, SPRING	1	
17	90201-06697-00	WASHER, PLATE	1	
18	(341-21638-00-00)	DAMPER 1	1	
19	90464-08020-00	CLAMP	1	
20	170-21746-00-00	DAMPER	1	

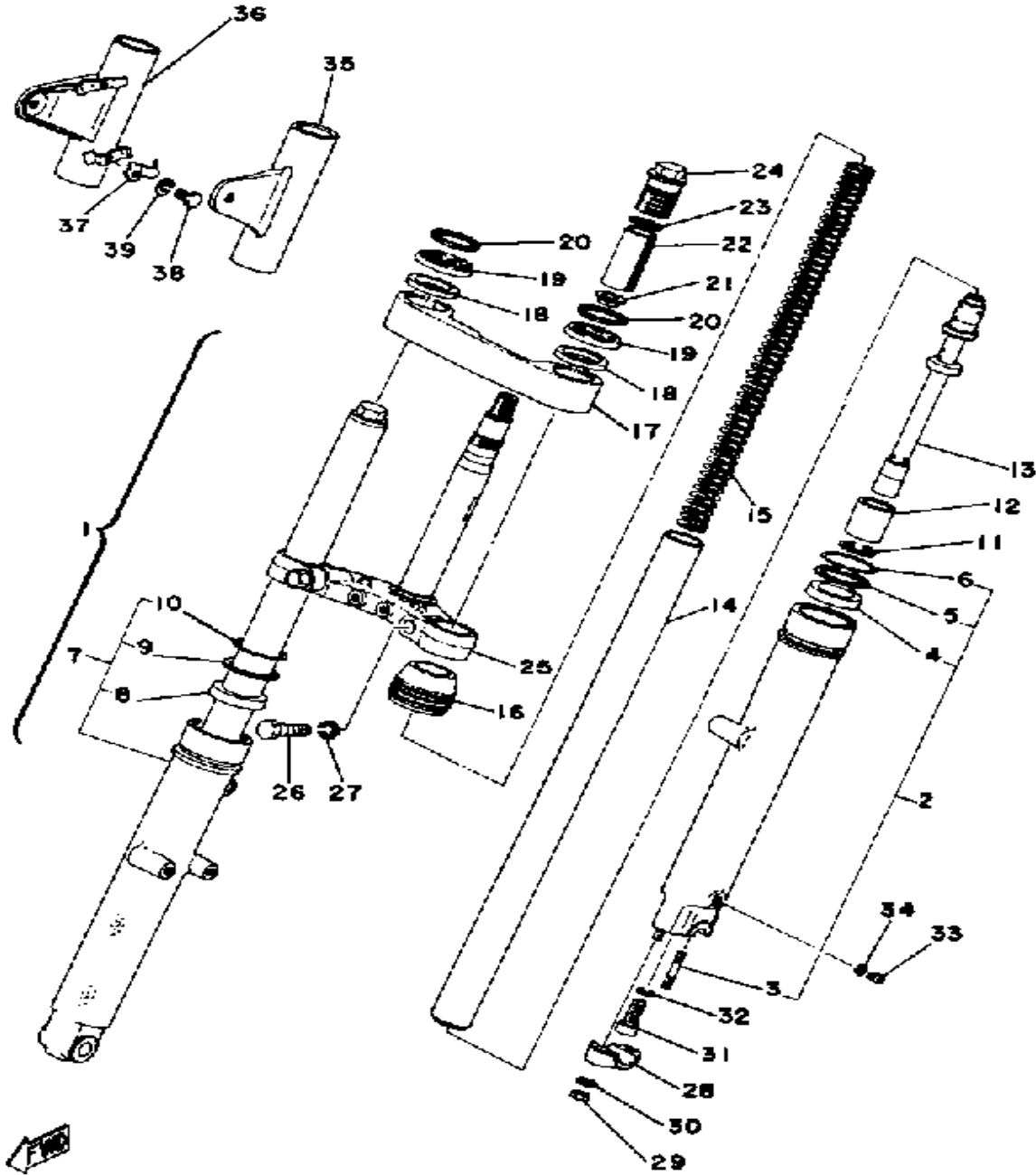
FRONT FORK



Ref. No.	Part Number	Description	Qty	Remarks
1	(1A0-23101-01-00)	FRONT FORK ASSEMBLY	1	
2	(1A0-23126-01-00)	TUBE, OUTER 1	1	
3	90116-08261-00	.. BOLT, STUD	2	
4	278-23145-51-00	.. OIL SEAL	2	
5	214-23146-00-00	.. WASHER, OIL SEAL	1	
6	214-23156-00-00	.. CLIP, OIL SEAL	1	
7	(1A0-23136-01-00)	TUBE, OUTER 2	1	
8	278-23145-51-00	.. OIL SEAL	1	
9	214-23146-00-00	.. WASHER, OIL SEAL	1	
10	214-23156-00-00	.. CLIP, OIL SEAL	1	
11	93450-30033-00	. CIRCLIP, INNER	2	
12	(434-23171-00-00)	PISTON, FRONT FORK	2	
13	(1A0-23170-01-00)	CYLINDER, FRTRFK	2	
14	1A0-23124-01-00	. TUBE, INNER 1	2	
15	1A1-23141-00-00	. SPRING, FRONT FORK (1A0-23141-00)	2	
16	584-23144-50-00	. SEAL, DUST	2	
17	(1A0-23122-00-00)	COVER, OUTER 1	1	
18	291-23163-61-00	. GASKET (LAMP STAY)	2	
19	2R8-23116-00-00	. GUIDE, COVER LOWER	2	
20	(2R8-23115-00-00)	GUIDE, COVER UPPER	2	
21	256-23142-60-00	. SEAT, SPRING UPPER	2	
22	(214-23118-00-00)	SPACER	2	
23	214-23114-00-00	. GASKET	2	
24	366-23111-60-00	. BOLT, CAP	2	
25	1A2-23340-30-33	. UNDER BRACKET	1	YAMAHA BLK
26	306-23346-60-00	. BOLT 1	2	
27	92901-12100-00	. WASHER, SPRING	2	
28	(306-23167-60-00)	HOLDER, AXLE	1	

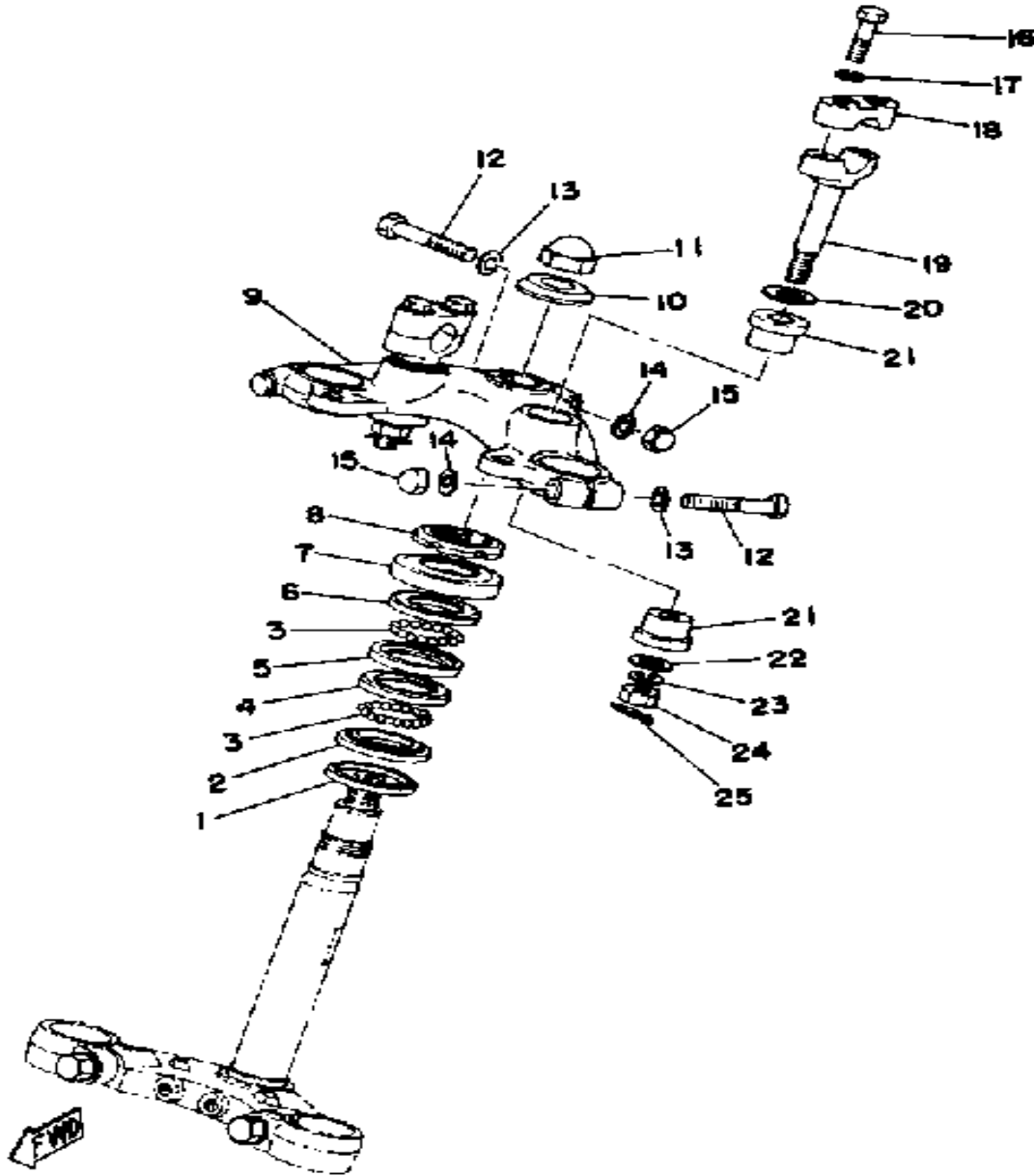
CONTINUED ON NEXT FRAME ►

FRONT FORK



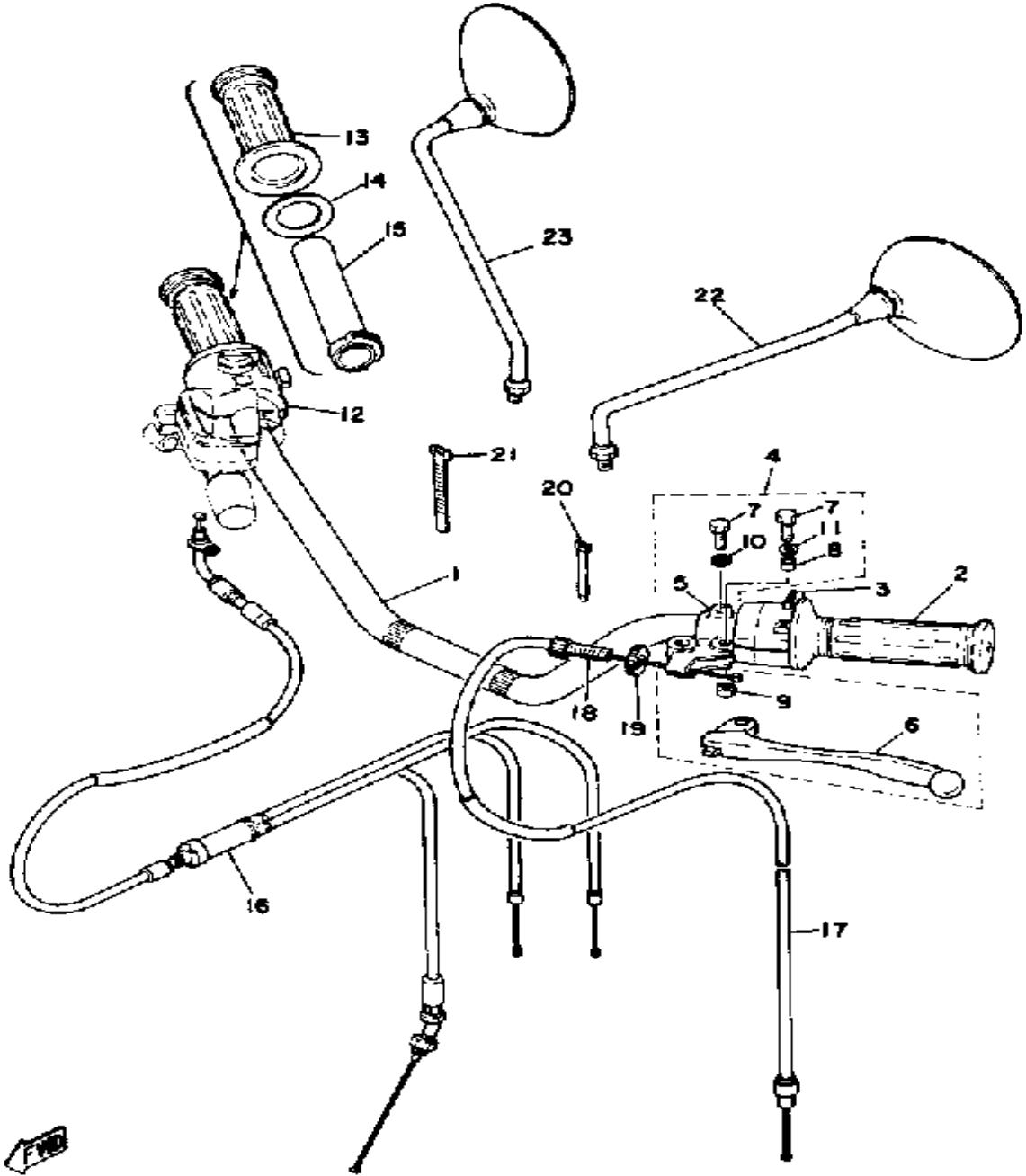
Ref. No.	Part Number	Description	Qty	Remarks
29	90185-08089-00	. NUT, SELF-LOCKING	2	
30	92901-08600-00	. WASHER	2	
31	278-23181-50-00	. BOLT, HEXAGON SOCKET HEAD	2	
32	509-23158-L0-00	. GASKET	2	
33	98580-04008-00	. SCREW, PAN HEAD	2	
34	122-23129-00-00	. GASKET, DRAIN PLUG	2	
35	1A0-23121-01-33	COVER, UPPER 1	1	YAMAHA BLK
36	1A0-23131-01-33	COVER, UPPER 2	1	YAMAHA BLK
37	1A0-23164-00-00	STAY, LIGHT GUARD	2	
38	97013-06012-00	BOLT	2	
39	92995-06100-00	WASHER, SPRING	2	

STEERING



Ref. No.	Part Number	Description	Qty	Remarks
1	164-23462-00-00	SEAL, STEERING	1	
2	156-23411-00-00	RACE, BALL 1	1	
3	93501-04011-00	BALL	38	
4	156-23412-00-00	RACE, BALL 2	1	
5	183-23412-00-00	RACE, BALL 2	1	
6	183-23411-00-00	RACE, BALL 1	1	
7	136-23415-00-00	COVER, BALL RACE 1	1	
8	90179-25033-00	NUT	1	
9	(1A0-23435-01-98)	CROWN, HANDLE	1	LOW GLOSS BLK
10	90209-17057-00	WASHER, SPEC'L SHAP	1	
11	90176-16016-00	NUT, CROWN	1	
12	97313-08055-00	BOLT, HEXAGON	3	
13	90201-08083-00	WASHER, PLATE	3	
14	92990-08100-00	WASHER	3	
15	95303-08800-00	NUT (CROWN) (95301-08800)	3	
16	97313-08030-00	BOLT, HEXAGON	4	
17	92990-08100-00	WASHER	4	
18	401-23441-00-98	HOLDER, HANDLE UPR	2	LOW GLOSS BLK
19	256-23442-00-98	HOLDER, HANDLE LWR	2	LOW GLOSS BLK
20	90201-12195-00	WASHER, PLATE	2	
21	90385-12027-00	BUSH, SPEC'L RUBBER	4	
22	90201-10146-00	WASHER, PLAIN	2	
23	92990-10100-00	LOCKWASHER	2	
24	95303-10700-00	NUT	2	
25	90468-12006-00	CLIP	2	

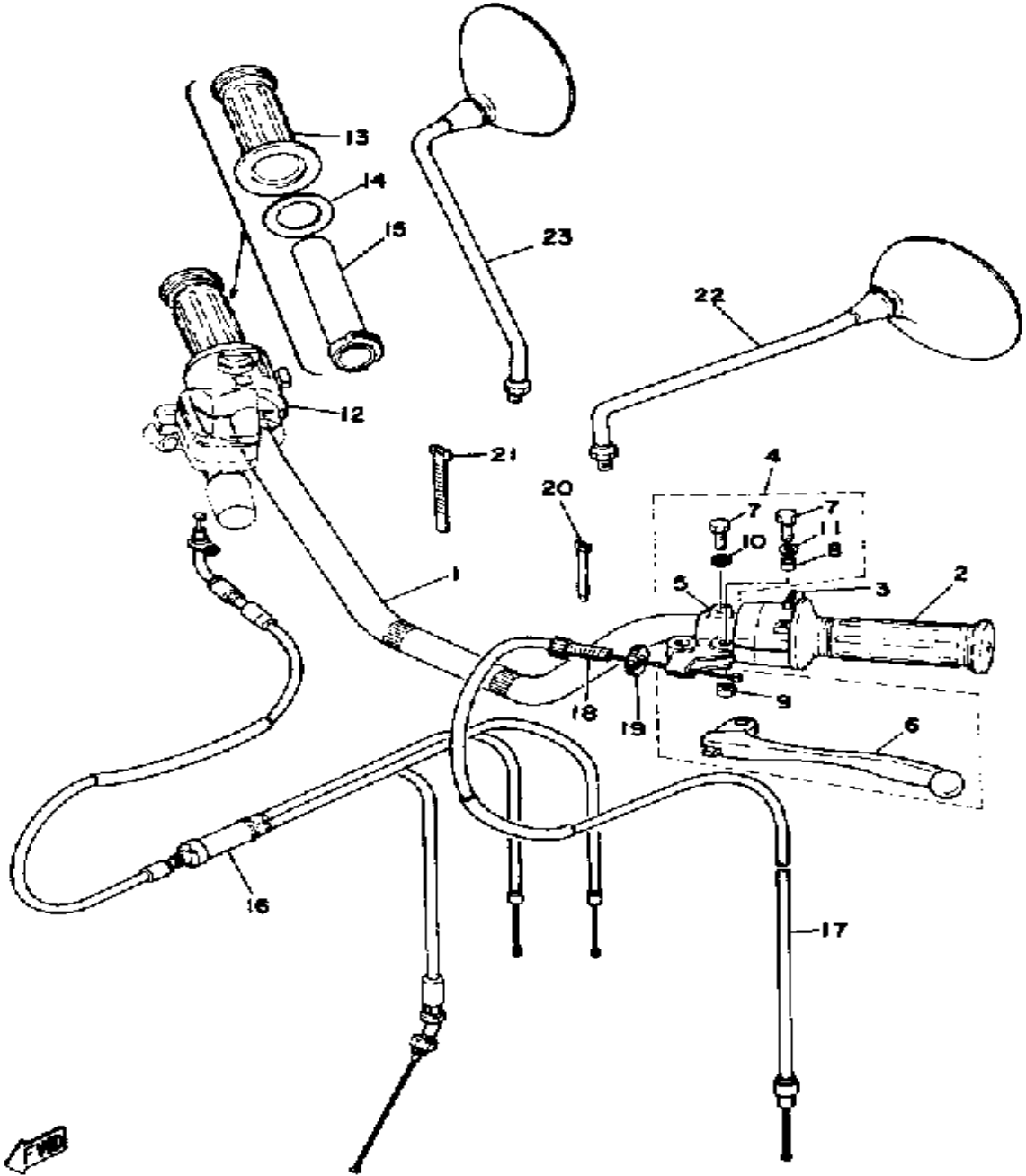
HANDLE - WIRE



Ref. No.	Part Number	Description	Qty	Remarks
1	2L0-26111-00-00	HANDLEBAR	1	
2	1E6-26241-00-00	GRIP LH	1	
3	1A0-83973-02-98	SWITCH, HANDLE 3	1	LOW GLOSS BLK
4	360-82910-02-00	LEVER HOLDER ASSEMBLY 1 (360-82910-00)	1	
5	341-82911-00-00	. HOLDER, LEVER 1	1	
6	214-83912-00-00	. LEVER 1	1	
7	97003-06022-00	. BOLT, HEXAGON (97301-06022)	2	
	97011-06020-00	. BOLT	2	
8	214-83913-00-00	. COLLAR, LEVER 1	1	
9	95380-06700-00	. NUT	1	
	95601-06100-00	. NUT, U	1	
10	92995-06100-00	. WASHER, SPRING	1	
11	90201-08083-00	. WASHER, PLATE	1	
12	1A0-83975-00-98	SWITCH, HANDLE 2	1	LOW GLOSS BLK
13	1A0-26242-01-00	GRIP (RIGHT)	1	
14	90201-261L0-00	WASHER, PLATE	1	
15	1A0-26243-01-00	TUBE, THRTL GUIDE	1	
16	1A0-26260-00-00	CBLE ASSEMBLY, THRTL/PMP	1	
17	1A0-26335-10-00	CABLE, CLUTCH (1A0-26335-00)	1	
18	90123-08046-00	BOLT	1	
19	90179-08148-00	NUT	1	
20	437-83936-01-00	BAND, SWITCH CORD	4	
21	437-83936-01-00	BAND, SWITCH CORD	1	
22	1J7-26290-12-00	MIRROR ASSEMBLY LH (1J7-26290-11)	1	
	1J7-26290-12-00	MIRROR ASSEMBLY LH (1J7-26290-11)	1	N/A

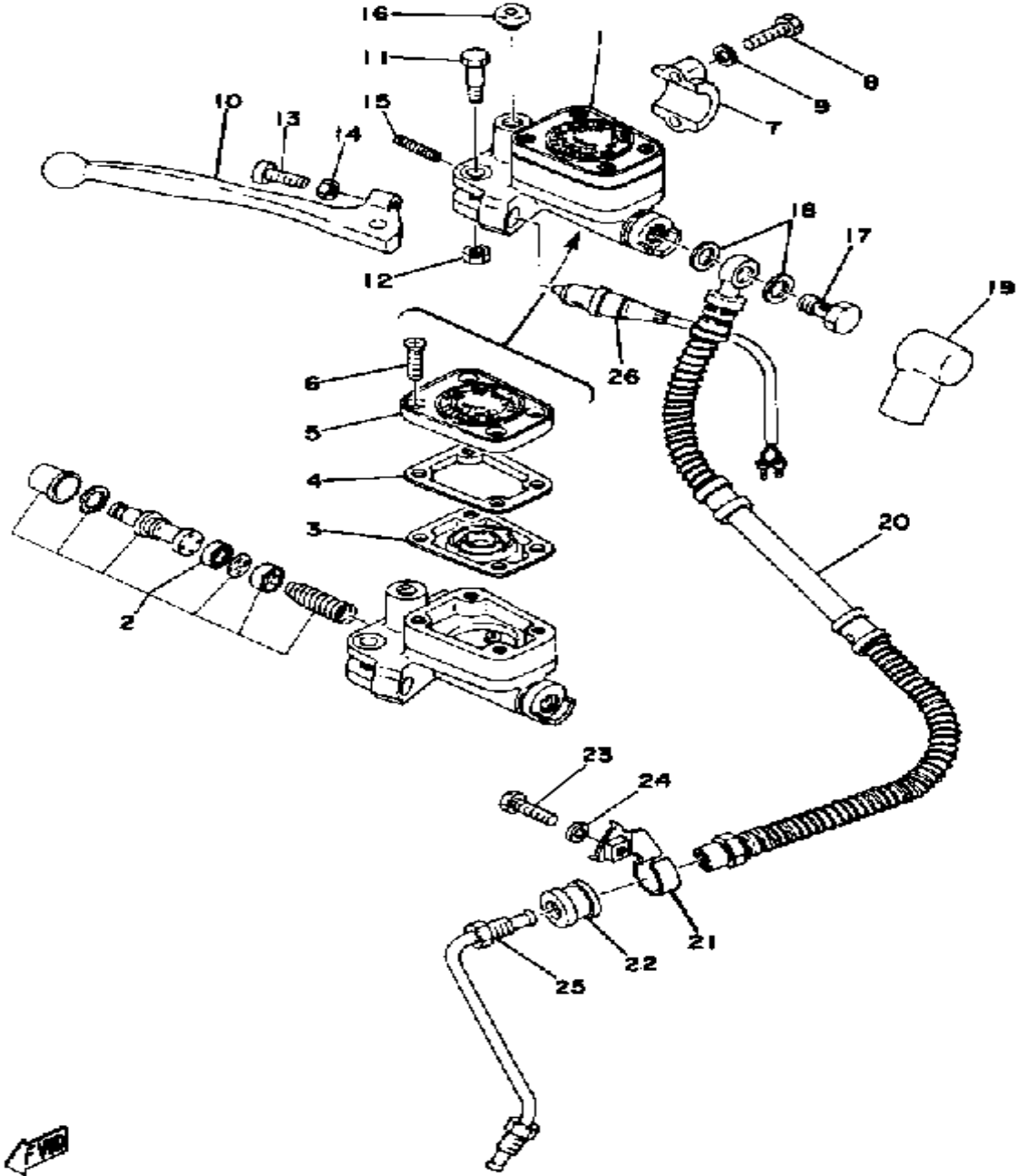
CONTINUED ON NEXT FRAME ➤

HANDLE - WIRE



Ref. No.	Part Number	Description	Qty	Remarks
22	341-26290-10-00	MIRROR ASSEMBLY LH	1	
23	1J7-26290-02-00	MIRROR ASSEMBLY RH (1J7-26290-01)	1	OPTIONAL PARTS
	1J7-26290-02-00	MIRROR ASSEMBLY RH (1J7-26290-01)	1	OPTIONAL PARTS/N/A
	341-26290-01-00	BACK MIRROR RH (341-26290-01)	1	OPTIONAL PARTS

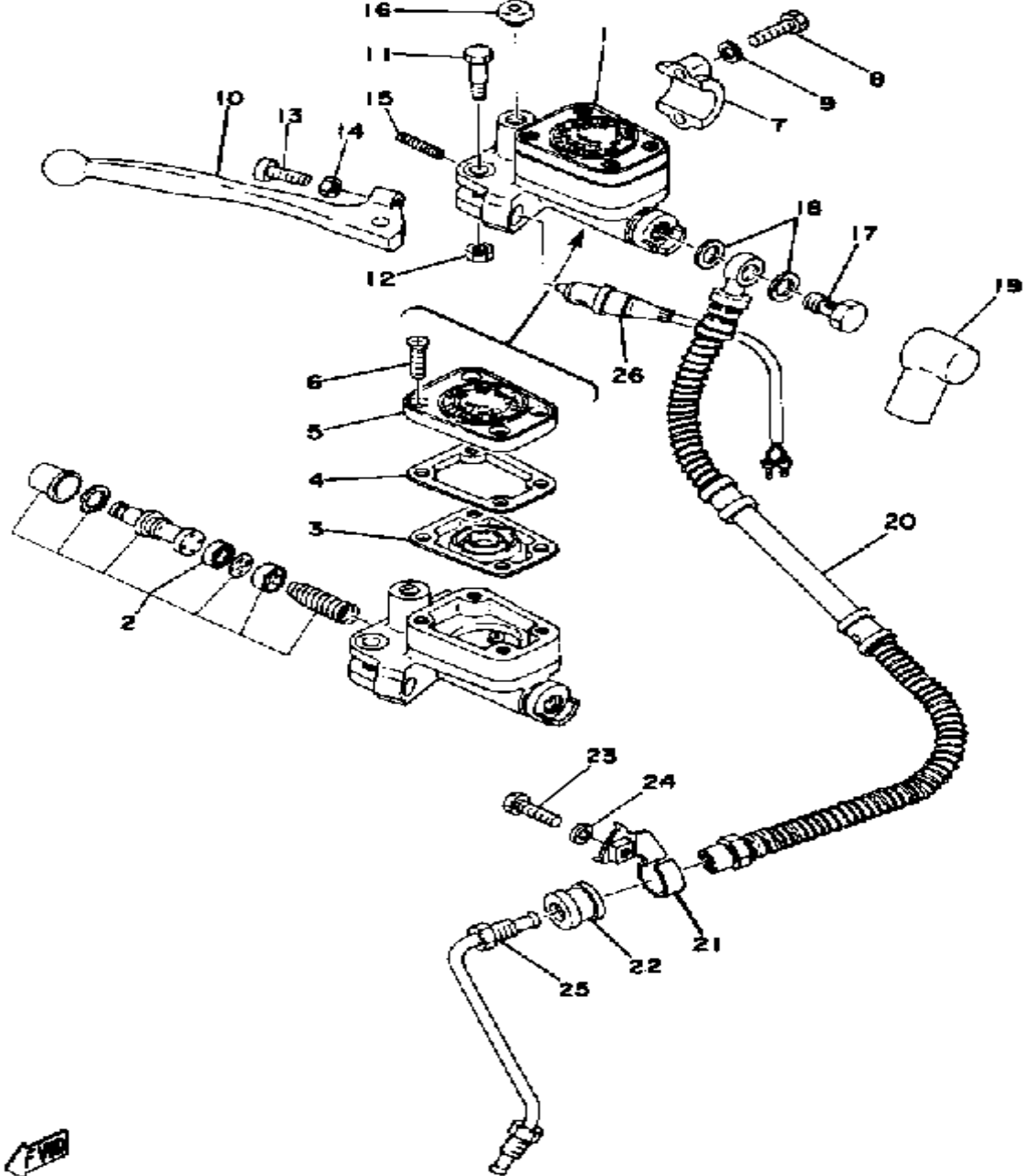
MASTER CYLINDER - BRAKE HOSE



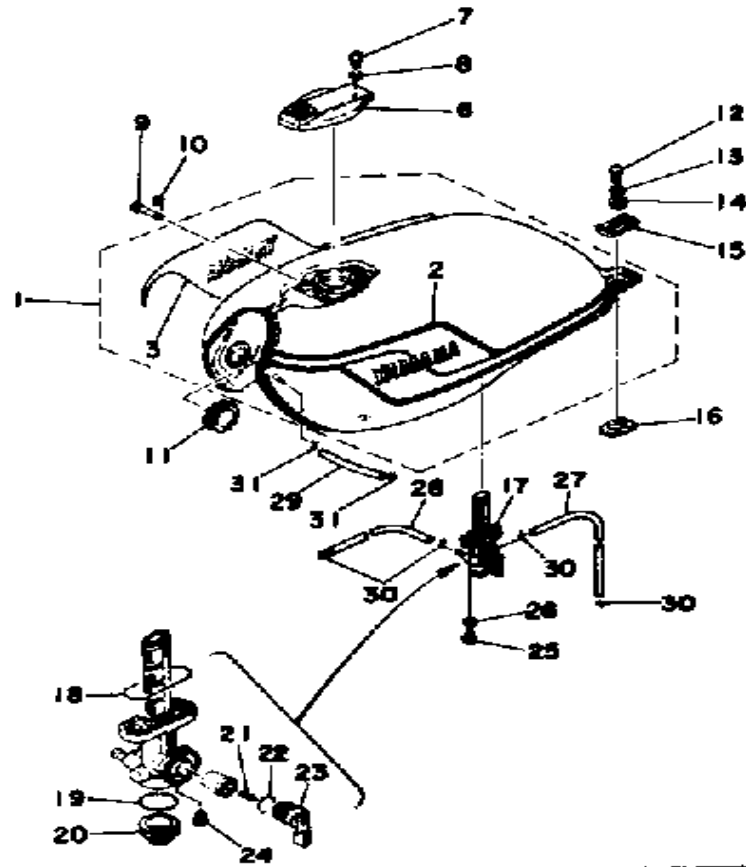
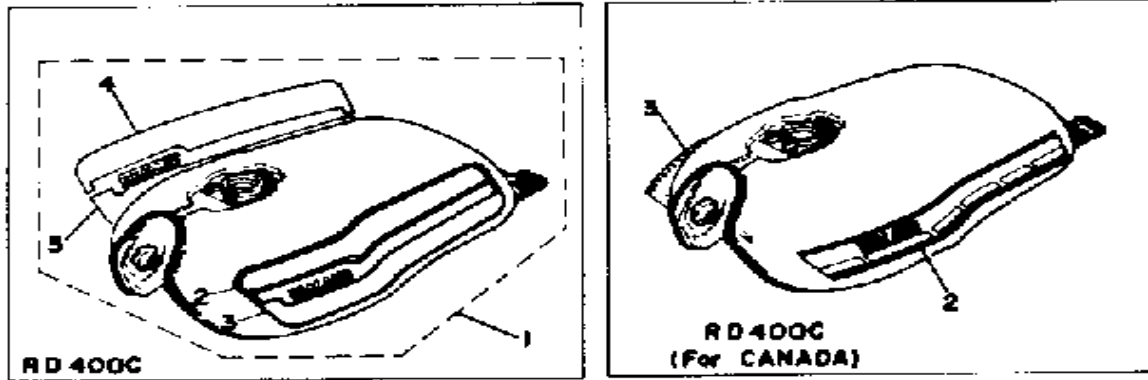
Ref. No.	Part Number	Description	Qty	Remarks
1	1A0-25850-02-00	MSTR CYLINDER ASSEMBLY (1A0-25850-01)	1	
2	1A0-W0041-00-00	. CYLINDER KIT, MASTER (360-20000-10)	1	
3	1A0-25854-01-00	. DIAPHRAGM RESERVOR	1	
4	1A0-25855-01-00	. BUSH, DIAPHRAGM	1	
5	1A0-25893-01-00	. RESERVOIR CAP ASSEMBLY	1	
6	1A0-25824-01-00	. SCREW, BLEED	4	
7	1J3-25867-00-00	BRACKET, MASTER CYLINDER (341-25867-00)	1	
8	97011-06025-00	BOLT (97001-06025)	2	
9	92995-06100-00	WASHER, SPRING	2	
10	(341-83922-00-00)	LEVER R	1	
11	90109-06465-00	BOLT	1	
12	95380-06700-00	NUT	1	
	95601-06100-00	NUT, U	1	
13	90146-06005-00	SCREW, OVAL FLSTR (306-83928-01)	1	
	90149-06131-00	SCREW	1	
14	90170-06010-00	NUT	1	
15	90501-10312-00	SPRING, COMPRESSION	1	
16	90338-09012-00	PLUG	1	
17	90401-10034-00	BOLT, UNION	1	
18	90201-10118-00	WASHER, PLATE	2	
19	360-25862-00-00	BOOT, MASTER CYLINDER	1	
20	1A0-25872-02-00	HOSE, BRAKE 1	1	
21	(1A0-25876-00-00)	HOLDER, BRKE HOSE 2	1	
22	306-25881-00-00	PROTC, BRAKE HOSE	1	
23	97011-06025-00	BOLT (97001-06025)	1	
24	92995-06100-00	WASHER, SPRING	1	

CONTINUED ON NEXT FRAME ►

MASTER CYLINDER - BRAKE HOSE



Ref. No.	Part Number	Description	Qty	Remarks
25	1A0-25871-00-00	PIPE, BRAKE	1	
26	1A0-83980-30-00	STOP SWITCH ASSEMBLY ...	1	

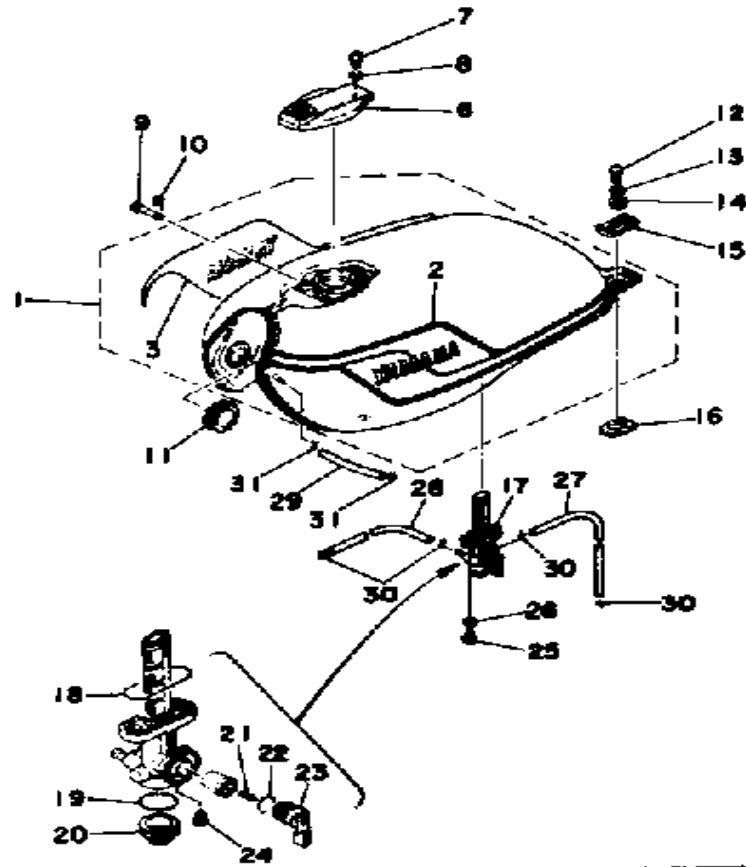
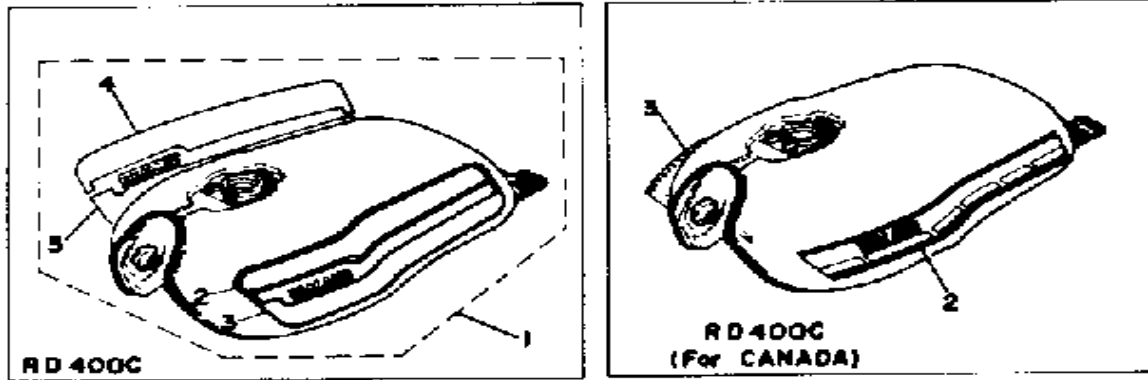


Fuel Tank 3 4 pts. Low Lead (Regular)

FUEL TANK

Ref. No.	Part Number	Description	Qty	Remarks
1	(1A0-24110-00-07)	FUEL TANK	1	FOR U.S.A.CHAPPY RED
	(1A0-24110-00-07)	FUEL TANK	1	FOR U.S.A.FOR CANADACHAPPY RED
	(1A0-24110-00-G3)	FUEL TANK	1	FOR U.S.AFRENCH BLUE
	(1A0-24110-00-K6)	FUEL TANK	1	FOR U.S.A.GENEVA GREEN
	(1A1-24110-00-02)	UNAVAILABLE IN PRICE BOOK	1	FOR CANADAN/A
2	(1A1-24244-00-00)	GRAPHIC, FUEL TNK 1	1	FOR U.S.A.CHAPPY RED
	(1A1-24244-10-00)	UNAVAILABLE IN PRICE BOOK	1	FOR CANADAN/A
	(1A1-24244-30-00)	GRAPHIC, FUEL TNK 1	1	FOR U.S.A.GENEVA GREEN
	(1A1-24244-40-00)	GRAPHIC, FUEL TNK 1	1	FOR U.S.A.FRENCH BLUE
	(1A1-24244-50-00)	GRAPHIC, FUEL TNK 1	1	FOR U.S.A.FOR CANADACHAPPY RED
3	(1A0-24245-00-00)	GRAPHIC, FUEL TNK 2	1	FOR U.S.A.CHAPPY RED
	(1A1-24245-10-00)	UNAVAILABLE IN PRICE BOOK	1	FOR CANADAN/A
	(1A1-24245-30-00)	GRAPHIC, FUEL TNK 2	1	FOR U.S.A.GENEVA GREEN
	1A1-24245-40-00	GRAPHIC, FUEL TNK 2	1	FOR U.S.A.FRENCH BLUE
	1A1-24245-50-00	GRAPHIC, FUEL TNK 2	1	FOR U.S.A.FOR CANADACHAPPY RED
4	(1A1-24246-00-00)	GRAPHIC, FUEL TNK 3	1	FOR U.S.A.CHAPPY RED
	(1A1-24246-30-00)	GRAPHIC, FUEL TNK 3	1	FOR U.S.A.GENEVA GREEN
5	(1A0-24247-00-00)	GRAPHIC, FUEL TNK 4	1	FOR U.S.A.CHAPPY RED

CONTINUED ON NEXT FRAME ➤



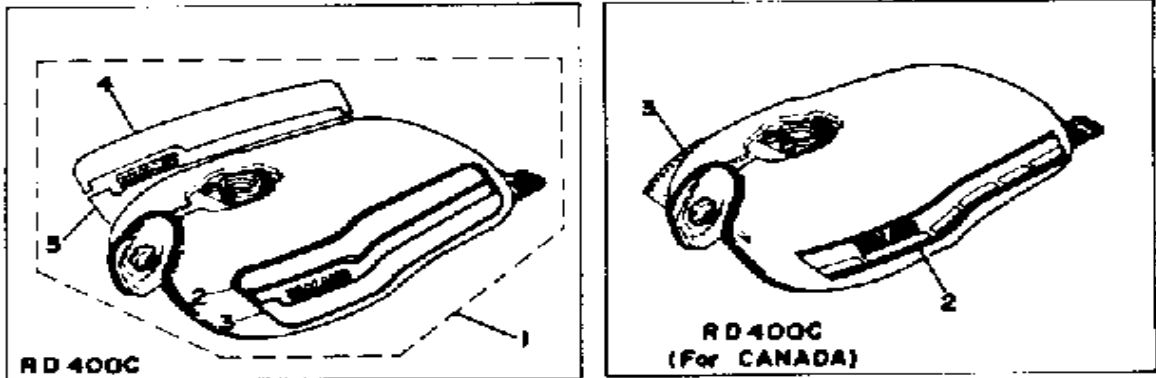
Fuel Tank 3 4 gals. Low Lead (Regular)

FUEL TANK

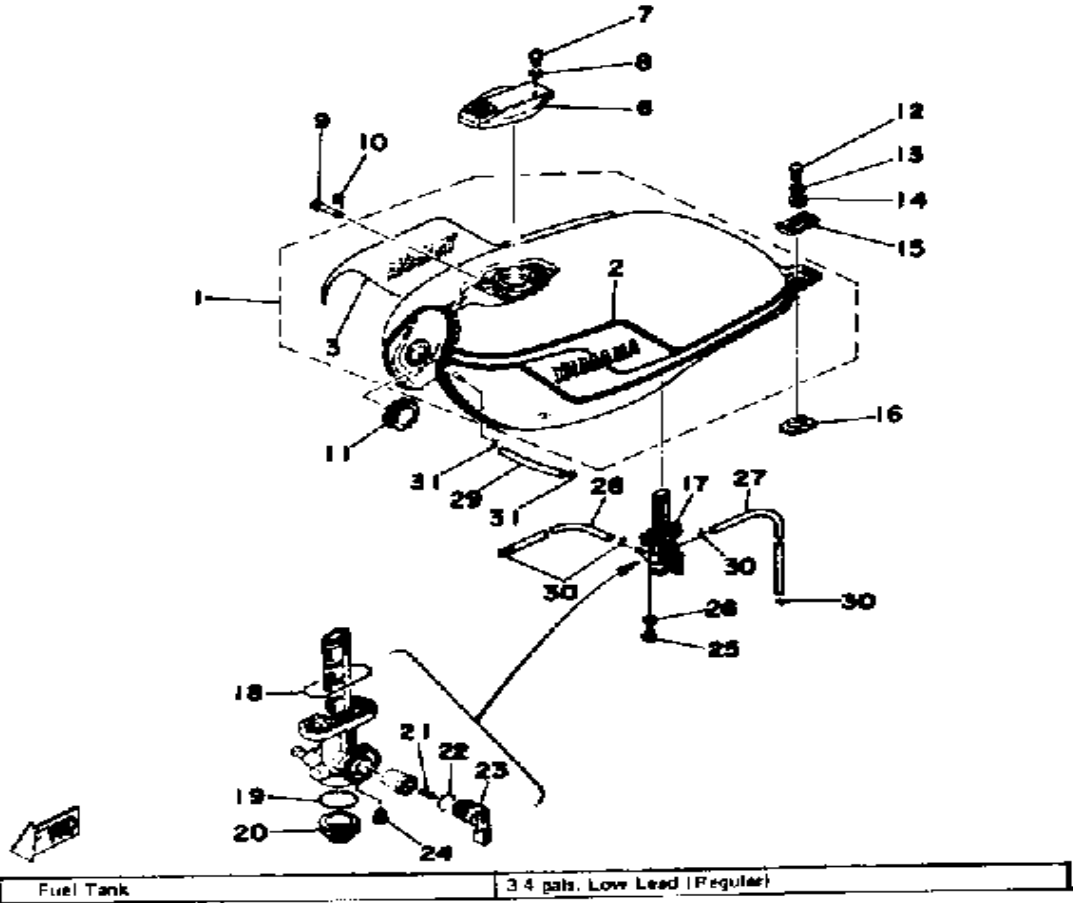
Ref. No.	Part Number	Description	Qty	Remarks
5	(1A1-24247-30-00)	GRAPHIC, FUEL TNK 4	1	FOR U.S.A.GENEVA GREEN
6	1E7-24602-00-00	CAP ASSEMBLY	1	
7	98580-05010-00	SCREW, PAN HEAD	1	
8	92990-05100-00	WASHER, SPRING	1	
9	90249-03123-00	PIN, SPEC"L SHAPE	1	
10	93430-02001-00	CIRCLIP	1	
11	278-24181-00-00	DAMPER, LOCATING 1	2	
12	97013-06012-00	BOLT	2	
13	92995-06100-00	WASHER, SPRING	2	
14	90209-06139-00	WASHER, SPEC"L SHAP	2	
15	1A0-24186-00-00	WASHER, SPECIAL	2	
16	1A0-24181-00-00	DAMPER, LOCATING 1	2	
17	4L0-24500-00-00	FUEL COCK ASSEMBLY 1	1	
18	214-24512-00-00	GASKET	1	
19	498-24522-00-00	GASKET	1	
20	1A0-24521-01-00	CUP, FILTER	1	
21	1A0-24529-01-00	SPRING	1	
22	1A0-24512-00-00	GASKET	1	
23	1A0-24524-01-00	LEVER, COCK	1	
24	619-24535-00-00	SCREW, LVR FITTING	1	
25	90149-06011-00	SCREW	2	
26	90202-05187-00	WASHER, PLATE	2	
27	90445-09083-00	HOSE	1	
	90445-09083-00	HOSE	2	
28	90445-09094-00	HOSE (90445-09221-00)	1	
29	90445-10308-00	HOSE	1	
30	90467-08003-00	CLIP	4	
	90467-08003-00	CLIP	6	

CONTINUED ON NEXT FRAME ►

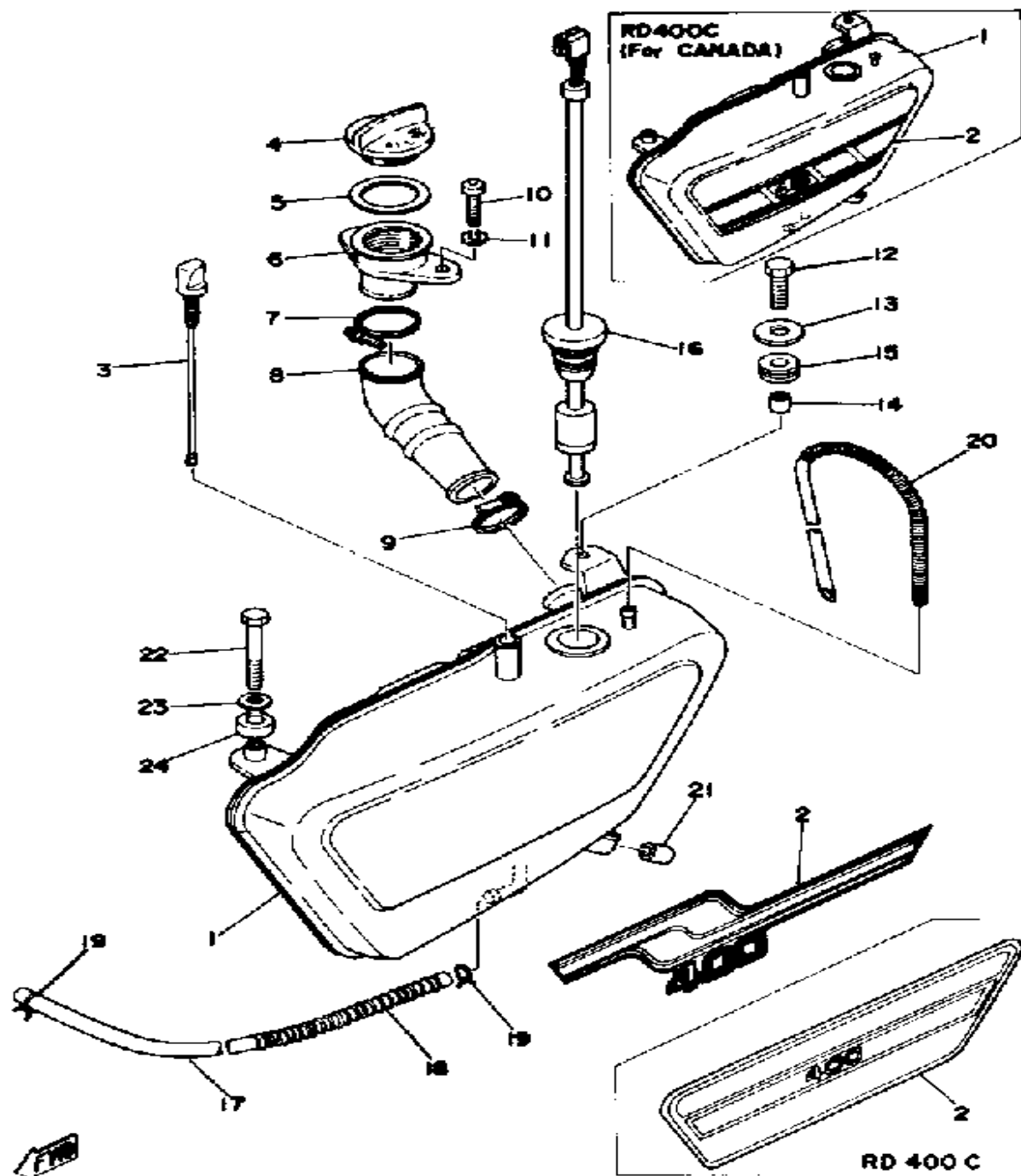
FUEL TANK



Ref. No.	Part Number	Description	Qty	Remarks
31	90467-09006-00	CLIP	2	



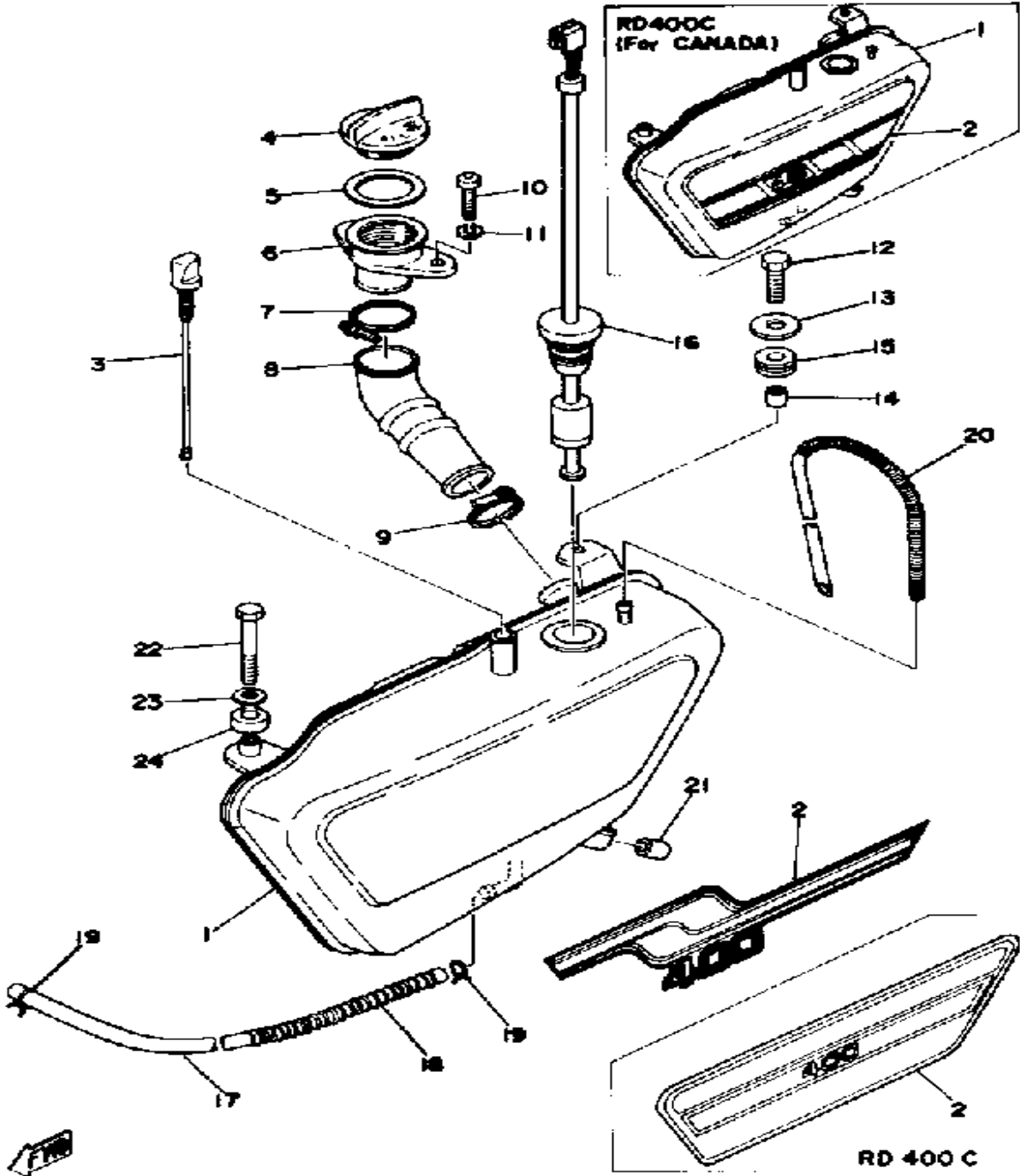
OIL TANK



Ref. No.	Part Number	Description	Qty	Remarks
1	(1A0-21751-00-98)	UNAVAILABLE IN PRICE BOOK	1	FOR CANADAN/A
	(1A0-21751-00-E1)	TANK, OIL	1	FOR U.S.A.FOR CANADACHAPPY RED
	(1A0-21751-00-G3)	TANK, OIL	1	FOR U.S.A.FRENCH BLUE
	(1A0-21751-00-K6)	TANK, OIL	1	FOR U.S.A.GENEVA GREEN
2	(1A1-21783-40-00)	EMBLEM 3	1	FOR U.S.A.FRENCH BLUE
	(1A1-21783-50-00)	EMBLEM 3	1	FOR U.S.A.FOR CANADACHAPPY RED
	(1A1-21784-00-00)	GRAPHIC 4	1	FOR U.S.A.CHAPPY RED
	(1A1-21784-10-00)	UNAVAILABLE IN PRICE BOOK	1	FOR CANADAN/A
	(1A1-21784-30-00)	GRAPHIC 4	1	FOR U.S.A.GENEVA GREEN
3	1A0-21792-00-00	GAUGE, OIL	1	
4	1A0-21771-00-00	BODY, CAP	1	
5	90430-27124-00	GASKET	1	
6	360-21752-00-00	TUBE, FILLER 1	1	
7	90460-32182-00	CLAMP, HOSE	1	
8	360-21753-00-00	BOSS, CONNECTOR	1	
9	(90460-26007-00)	CLAMP, HOSE	1	
10	97011-06025-00	BOLT (97001-06025)	2	
	98511-06025-00	SCREW PAN HEAD (92501-06025)	2	
	98580-06020-00	SCREW	2	
11	92901-06600-00	WASHER	2	
	92995-06100-00	WASHER, SPRING	2	
12	97011-06025-00	BOLT (97001-06025)	1	
13	90201-06067-00	WASHER, PLATE	1	

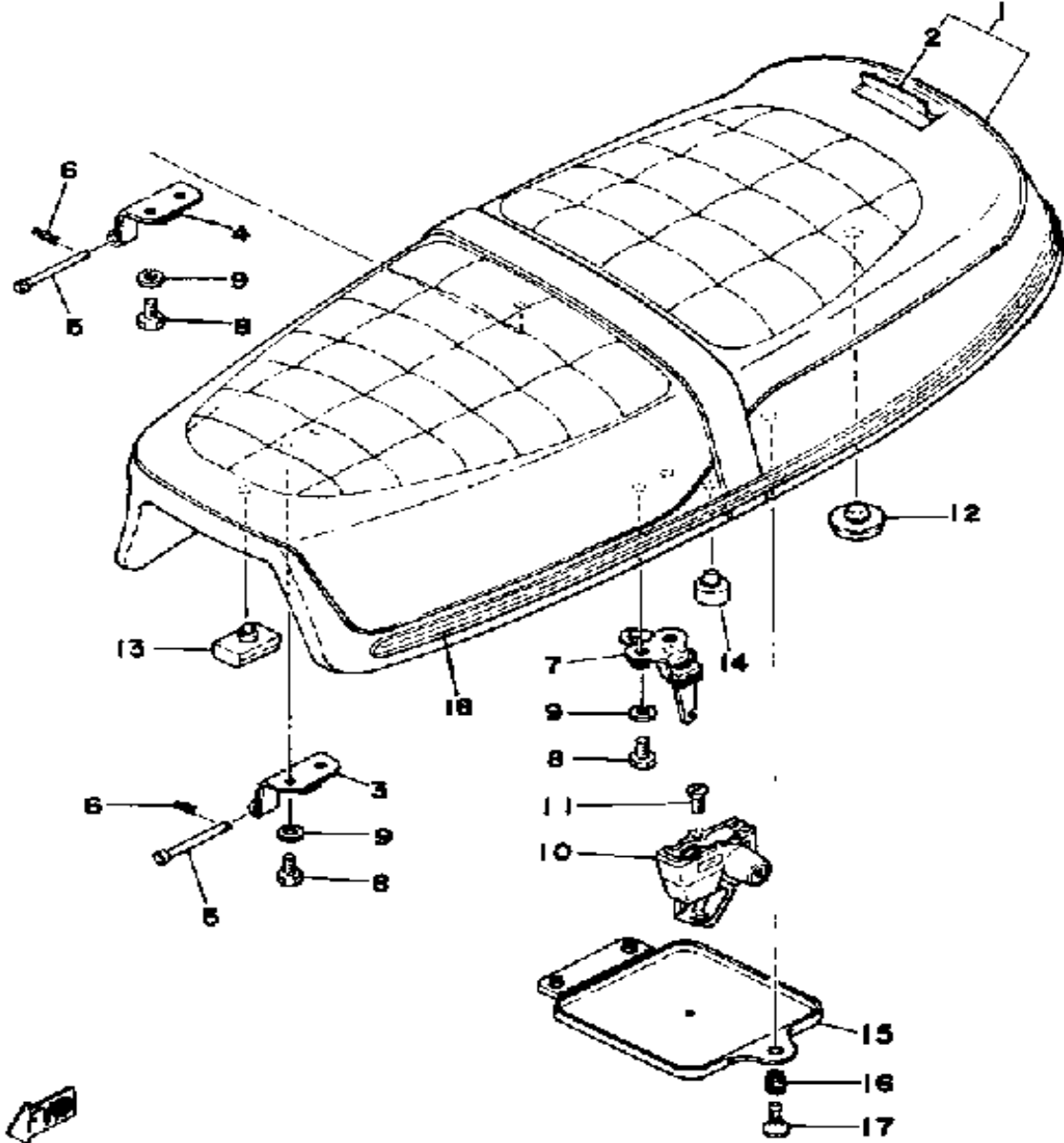
CONTINUED ON NEXT FRAME ►

OIL TANK



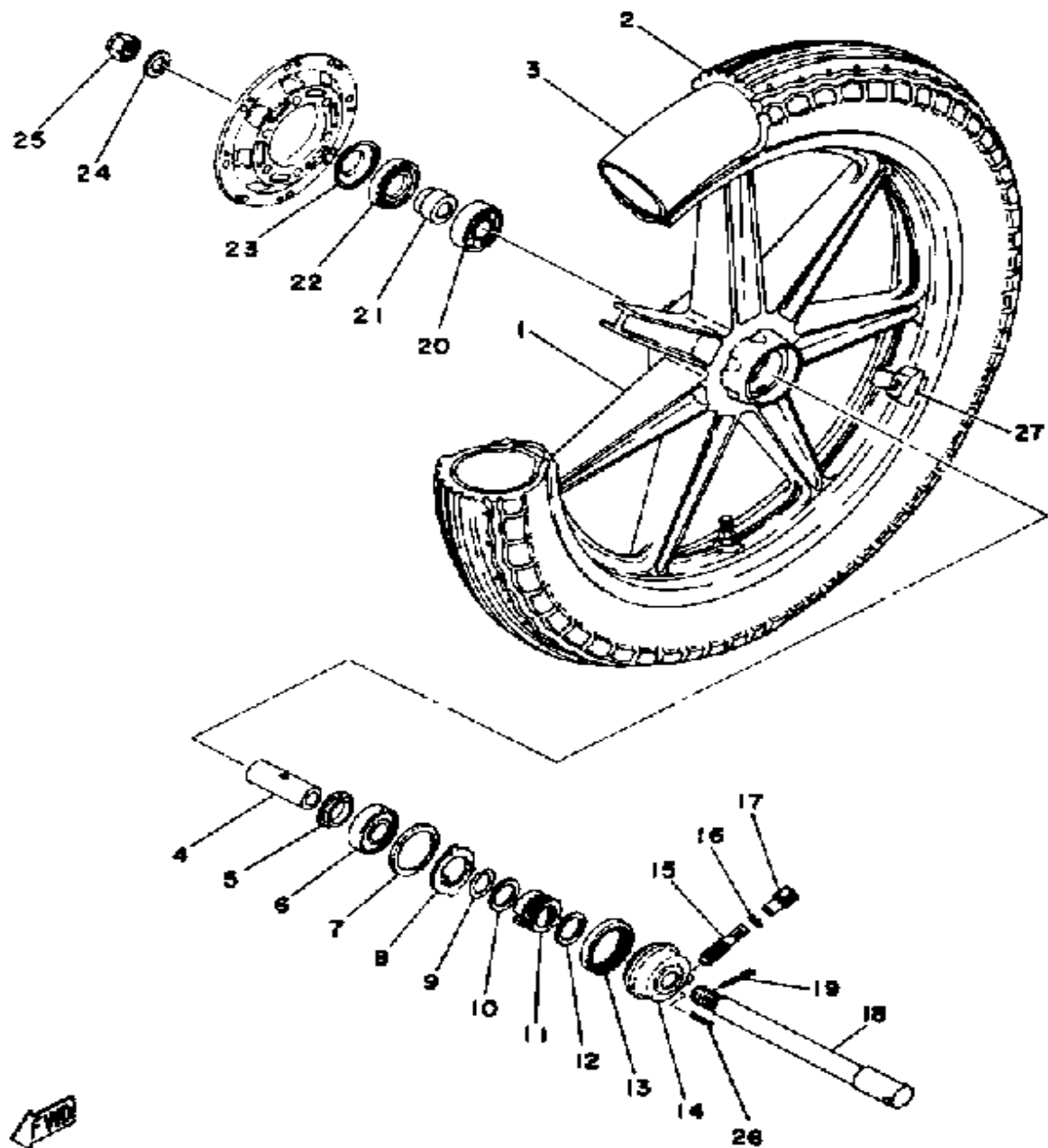
Ref. No.	Part Number	Description	Qty	Remarks
14	90387-07390-00	COLLAR	1	
15	90480-14023-00	GROMMET	1	
16	4L0-85720-00-00	OIL LVL GUAGE ASSEMBLY ..	1	
17	90445-09122-00	HOSE	1	
18	90501-08410-00	SPRING, COMPRESSION	1	
19	90467-08003-00	CLIP	2	
20	(1A0-21745-01-00)	PIPE, OIL TNK BRTHR	1	
21	437-21779-00-00	DAMPER, LOCATING 2	1	
22	97313-06050-00	BOLT	1	
23	92901-06600-00	WASHER	1	
24	90385-10026-00	BUSH	1	

SEAT



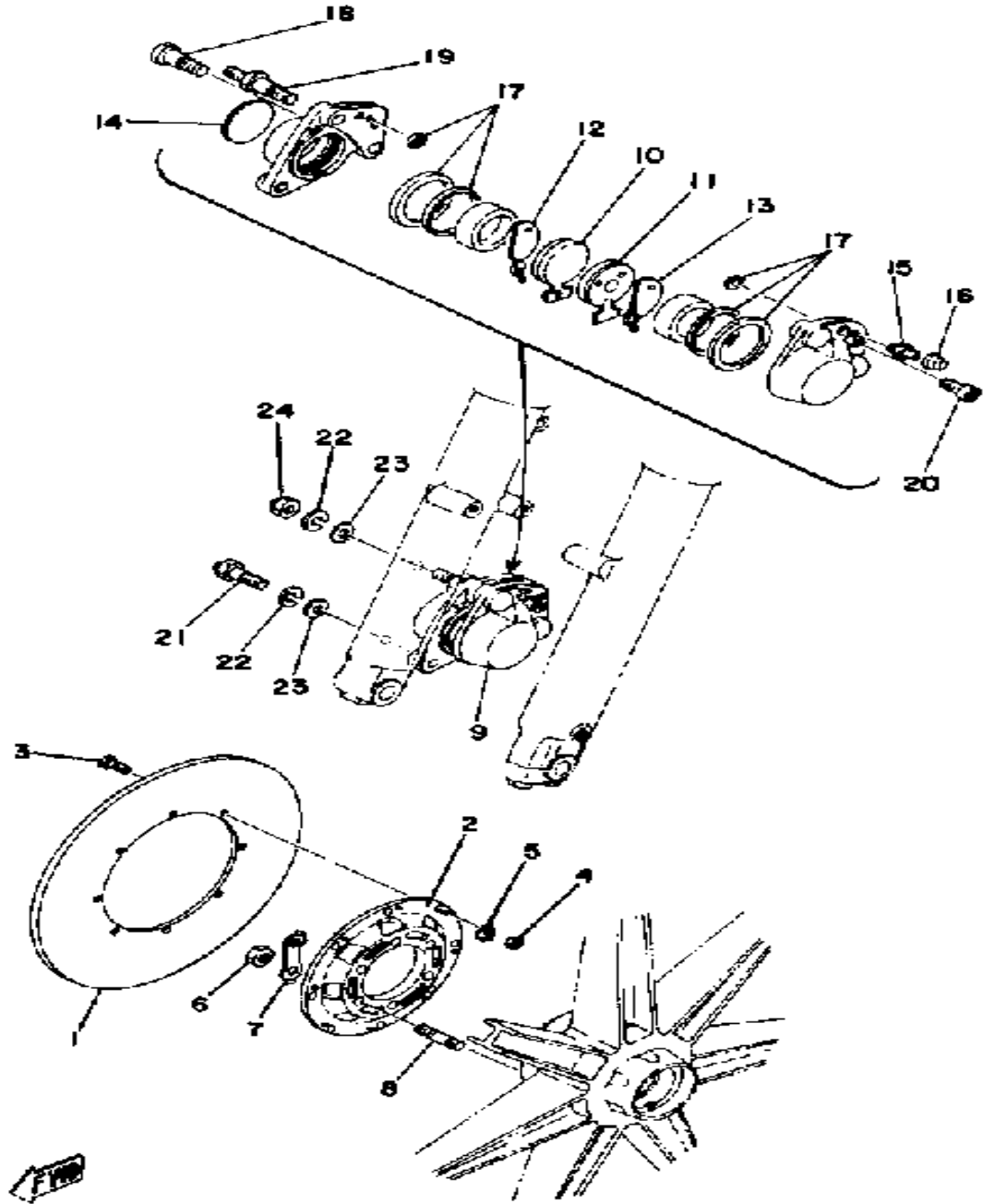
Ref. No.	Part Number	Description	Qty	Remarks
1	(1A0-W2473-10-00)	SEMI-DBL-SEAT ASSEMBLY ..	1	
2	(1A0-24731-01-00)	COVER, DOUBLE SEAT	1	
3	248-24726-00-33	HINGE, SEAT	1	YAMAHA BLK
4	1A0-24726-00-00	HINGE, SEAT	1	
5	91701-05055-00	PIN, CLEVIS	2	
6	90468-10050-00	CLIP	2	
7	371-24728-02-00	BRACKET, SEAT	1	
8	97013-06012-00	BOLT	6	
9	92995-06100-00	WASHER, SPRING	6	
10	584-24705-00-00	SEAT LOCK ASSEMBLY	1	
11	98706-06012-00	SCREW, FLAT HEAD	2	
12	1L9-24741-00-00	PAD, SEAT	2	
13	214-24724-00-00	DAMPER, SEAT	2	
14	278-27114-00-00	STOPPER, MAIN STAND	1	
15	2R6-28185-00-00	LID	1	
16	90480-06007-00	GROMMET (341-28187-00)	1	
17	341-28188-00-00	PLUNGER	1	
18	(1A0-24700-99-00)	RD400 SEATMOLD SET	2	

FRONT WHEEL



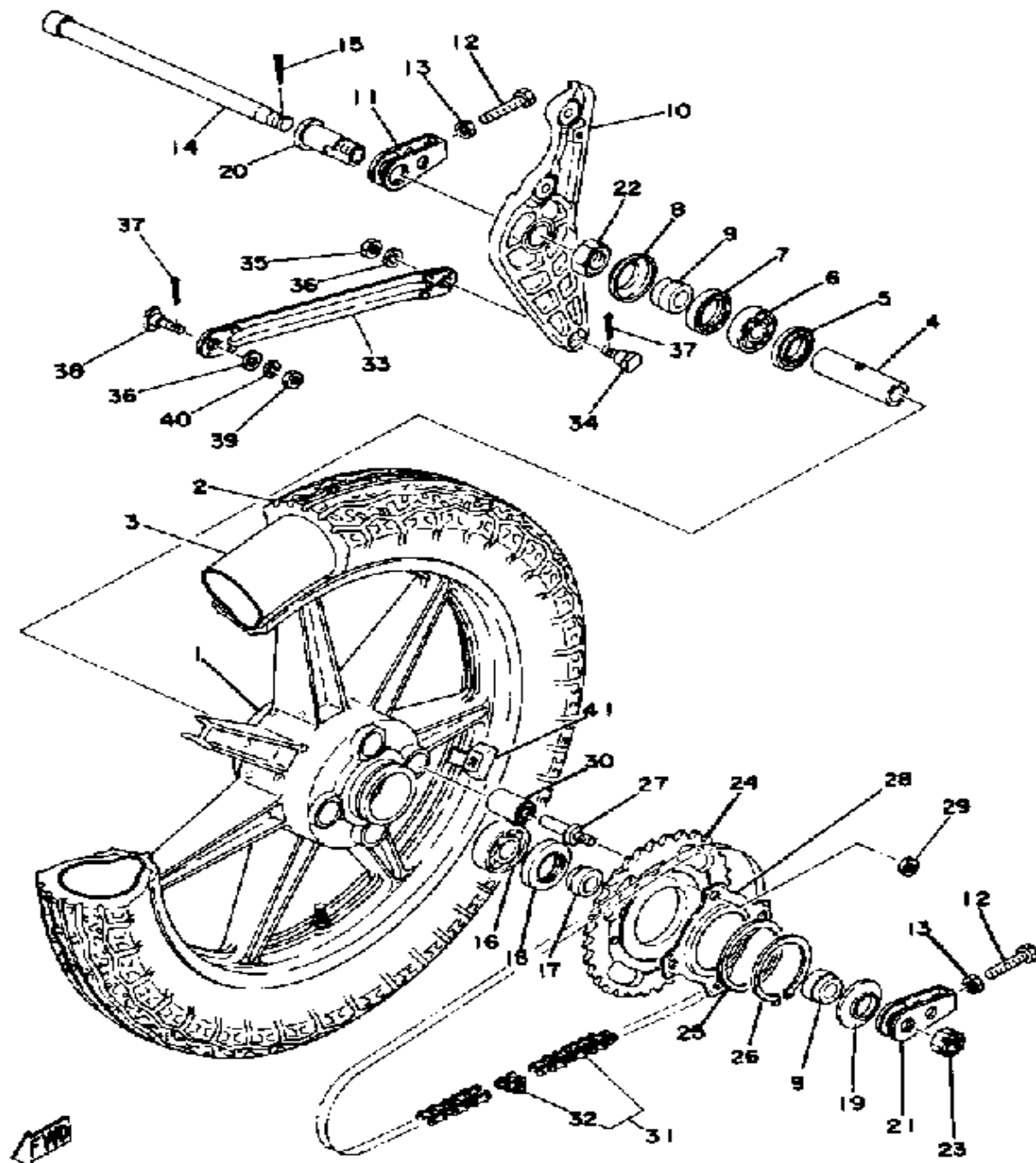
Ref. No.	Part Number	Description	Qty	Remarks
1	(1A1-25168-00-00)	WHEEL, CAST FRONT	1	
2	(94132-18348-00)	325S18 Y984C 4PLY	1	
3	94230-18084-00	TUBE	1	
4	90560-17125-00	SPACER	1	
5	146-25315-00-00	FLANGE, SPACER	1	
6	93306-30309-00	BEARING	1	
7	341-25846-00-00	RETAINER, CLUTCH	1	
8	341-25149-00-00	CLUTCH, METER	1	
9	341-25137-00-00	RING, STOP	1	
10	90201-25286-00	WASHER, PLATE (341-25147-00)	1	
11	341-25135-01-00	GEAR, DRIVE	1	
12	90201-25490-00	WASHER, PLATE	1	
13	93105-45017-00	OIL SEAL	1	
14	341-25190-01-00	GEAR UNIT ASSEMBLY	1	
15	306-25138-00-00	GEAR, METER	1	
16	102-18416-00-00	SHIM, ROD	1	
17	306-25136-00-00	BUSH	1	
18	351-25181-10-00	AXLE, WHEEL	1	
19	91401-30030-00	PIN, COTTER	1	
20	93306-30309-00	BEARING	1	
21	90387-17433-00	COLLAR	1	
22	93102-28022-00	OIL SEAL	1	
23	341-25118-00-00	COVER, hub dust	1	
24	92990-14200-00	WASHER, PLAIN	1	
25	90171-14020-00	NUT, CASTLE	1	
26	91609-20014-00	PIN, SPRING	1	
27	1A1-25398-01-00	BALANCER, WHEEL	1	
	1A1-25399-00-00	BALANCER, WHEEL	1	

FRONT DISC BRAKE - CALIPER



Ref. No.	Part Number	Description	Qty	Remarks
1	(351-25831-01-00)	DISC, BRAKE	1	
2	(351-25832-00-00)	BRACKET, DISC	1	
3	90109-06018-00	BOLT	8	
4	95380-06600-00	NUT	8	
5	90215-06106-00	WASHER, LOCK (306-25834-00)	8	
6	90170-08158-00	NUT	6	
7	341-25412-00-00	WASHER	3	
8	(90116-08242-00)	BOLT, STUD	6	
	90116-08218-00	BOLT, STUD	6	
9	533-25810-12-00	CALIPER ASSEMBLY (C)	1	
10	1A1-W0045-00-00	BRAKE PAD KIT, FRNT	1	
12	409-25827-50-00	SHIM, CALIPER	1	
13	409-25828-50-00	SHIM, CALIPER (306-25828-02)	1	
14	306-25829-00-00	EMBLEM, CALIPER	1	
15	306-25824-00-00	SCREW, BLEED	1	
16	306-25825-01-00	CAP	1	
17	856-W0047-00-00	CALIPER SEAL KIT (856-20000-50)	1	
18	306-25821-01-00	BOLT 1	1	
19	306-25822-01-00	BOLT 2	1	
20	306-25826-01-00	BOLT 3	2	
21	(90109-10041-00)	BOLT	1	
22	92990-10100-00	LOCKWASHER	2	
23	92990-10600-00	WASHER, PLATE	2	
24	90176-10013-00	NUT, CROWN	1	

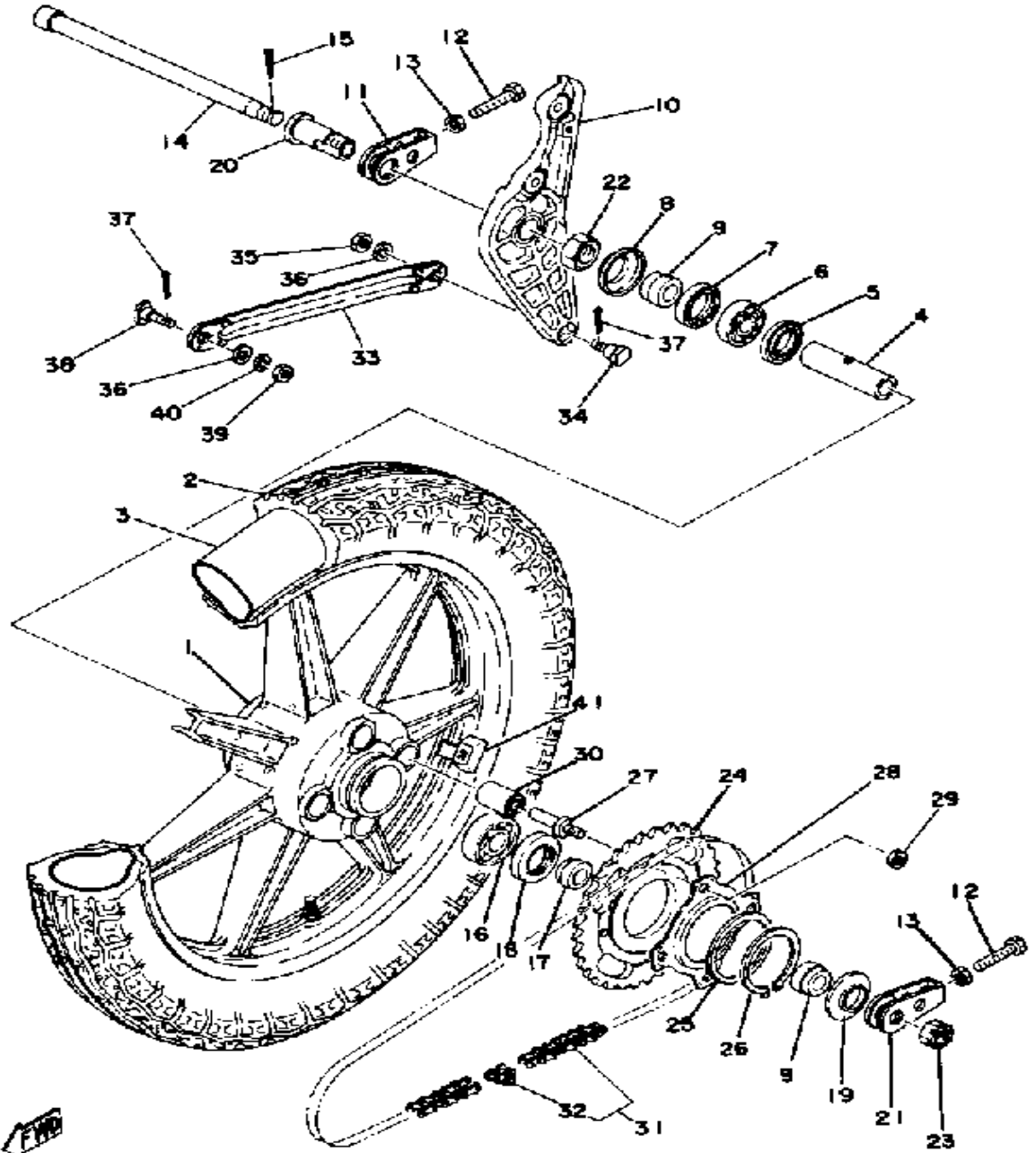
REAR WHEEL



Ref. No.	Part Number	Description	Qty	Remarks
1	(1A1-25338-00-00)	WHEEL, CAST REAR	1	
2	(94135-18380-00)	YOKO 350S18Y 9 7	1	
3	94235-18085-00	TUBE	1	
	94235-18085-00	TUBE	2	
4	90560-17233-00	SPACER	1	
5	146-25315-00-00	FLANGE, SPACER	1	
6	93306-30309-00	BEARING	1	
7	93102-28022-00	OIL SEAL	1	
8	341-25118-00-00	COVER, hub dust	1	
9	90387-17433-00	COLLAR	2	
10	(1A1-25819-00-33)	BRACKET, CALIPER	1	YAMAHA BLK
11	(1A1-25389-00-00)	PULLER, CHAIN 2	1	
12	90101-08699-00	BOLT	2	
13	90170-08158-00	NUT	2	
14	150-25381-00-00	AXLE, WHEEL	1	
15	91401-30030-00	PIN, COTTER	1	
16	93306-30417-00	BEARING (B6304ZZ)	1	
17	1A1-25377-00-00	COLLAR, WHEEL	1	
18	93102-28023-00	OIL SEAL	1	
19	1A1-25367-00-00	COVER, HUB DUST	1	
20	1A1-25387-00-00	SHAFT, BRKT CALIPER	1	
21	168-25389-00-00	PULLER, CHAIN 2	1	
22	90170-22097-00	NUT, HEXAGON	1	
23	90171-16007-00	NUT, CASTLE (275-25382-00)	1	
24	1A1-25438-20-00	SPROCKET, DRIVN 38T	1	U.R. U.R. STD
	1A3-25436-20-00	SPROCKET, DRIVN 36T (1A1-25436-20)	1	U.R. U.R.
25	90201-66585-00	WASHER, PLATE	1	
26	93410-65040-00	CIRCLIP, S-TYPE	1	

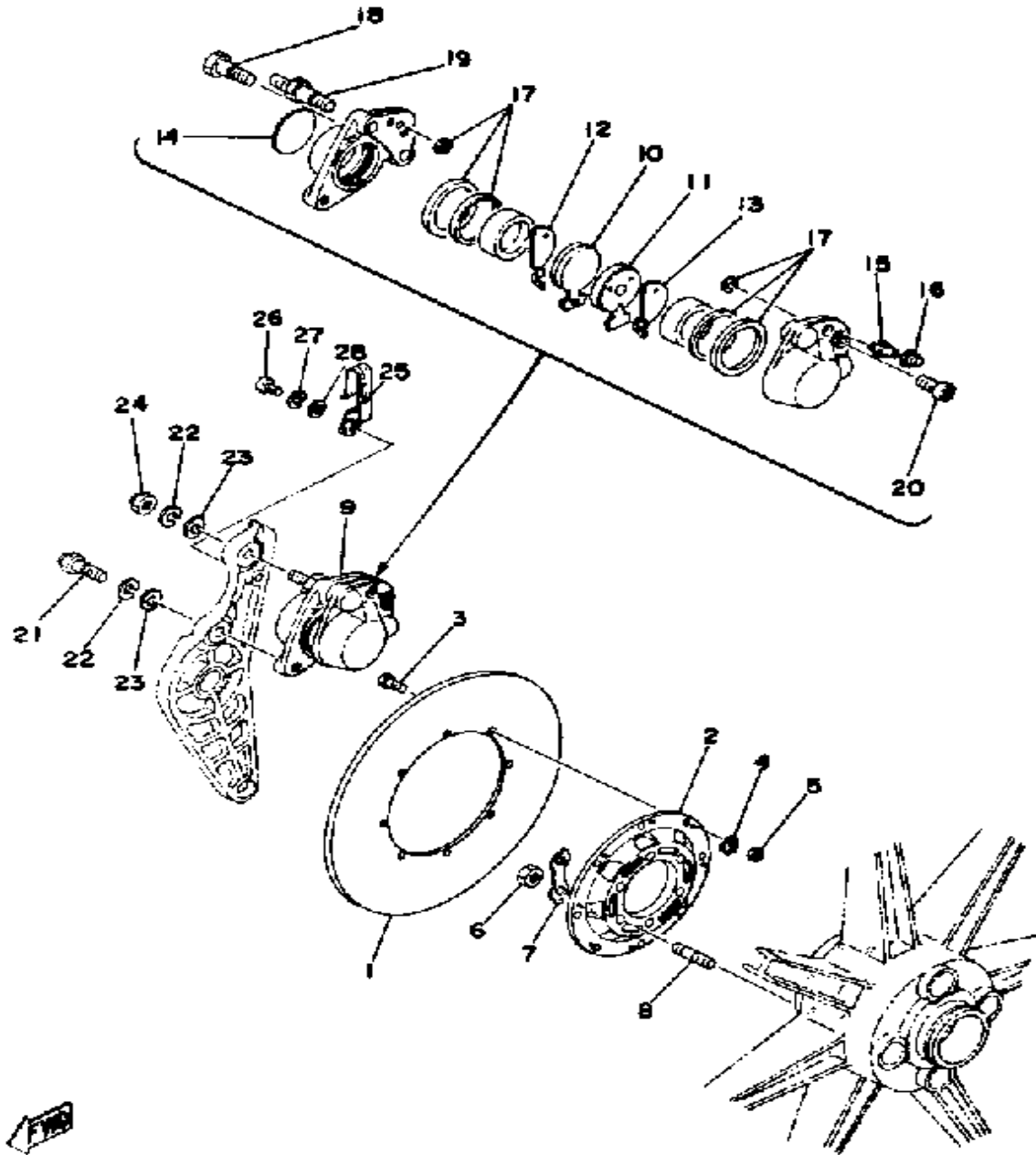
CONTINUED ON NEXT FRAME ►

REAR WHEEL



Ref. No.	Part Number	Description	Qty	Remarks
27	90109-12429-00	BOLT	4	
28	1A1-25412-00-00	UNAVAILABLE IN PRICE BOOK	1	
29	95301-12700-00	NUT (95302-12700)	4	
	95311-12700-00	NUT	4	
30	1A1-25363-00-00	BUSH, CLUTCH PIN	4	
31	94580-10096-00	530 DS 96L	1	
32	94658-30011-00	UNAVAILABLE IN PRICE BOOK	1	
33	(171-25371-00-00)	BAR, TENSION	1	
34	90109-08184-00	BOLT (168-25378-00)	1	
35	90170-08185-00	UNAVAILABLE IN PRICE BOOK	1	
36	92901-08600-00	WASHER	2	
37	91490-20020-00	PIN, COTTER	2	
38	90109-08375-00	BOLT (168-25373-00)	1	
39	90179-08639-00	NUT, SPEC'L SHAPE (30)	1	
40	92990-08100-00	WASHER	1	
41	1A1-25398-01-00	BALANCER, WHEEL	1	
	1A1-25399-00-00	BALANCER, WHEEL	1	

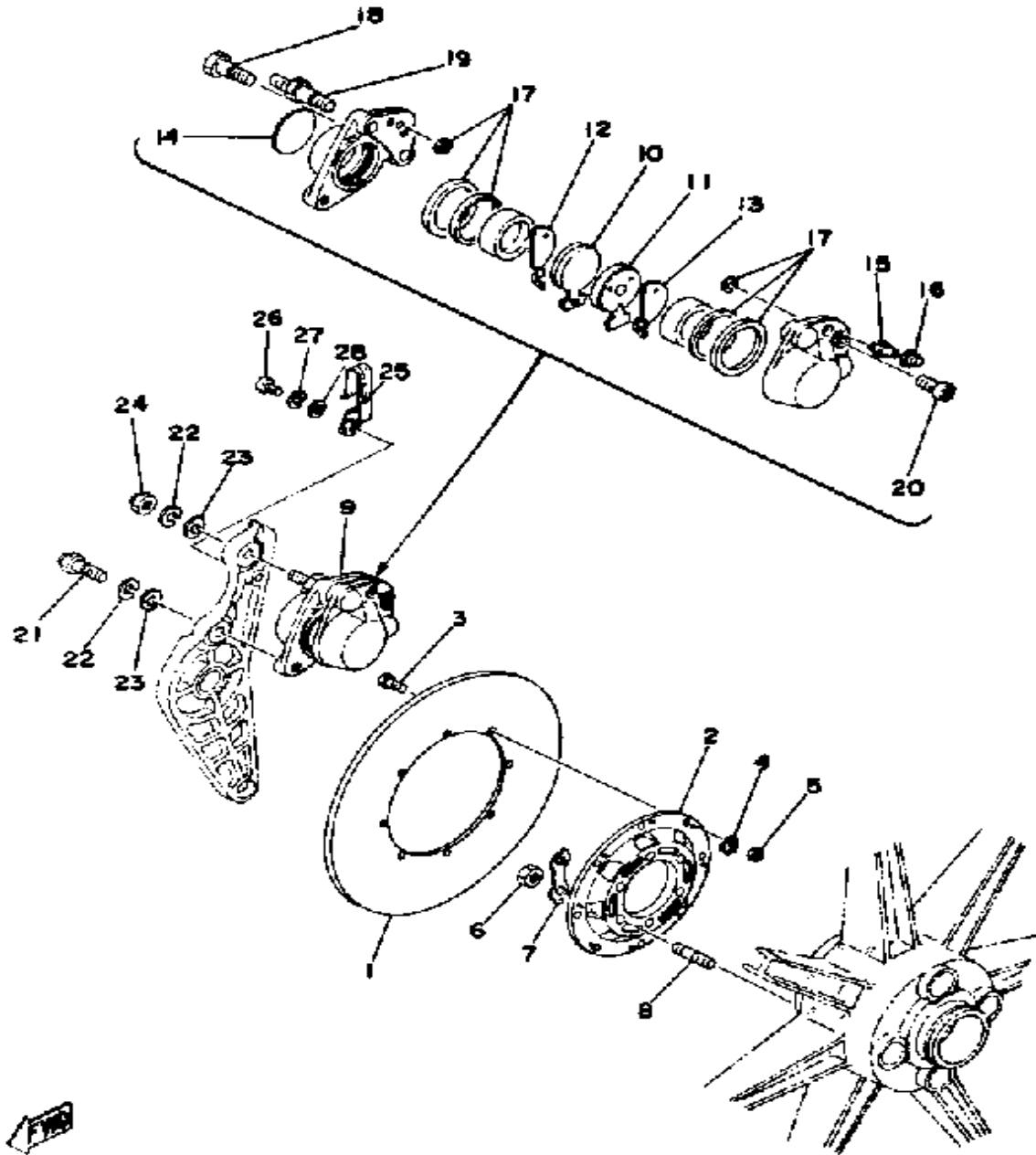
REAR DISC BRAKE - CALIPER



Ref. No.	Part Number	Description	Qty	Remarks
1	(351-25831-01-00)	DISC, BRAKE	1	
2	(351-25832-00-00)	BRACKET, DISC	1	
3	90109-06018-00	BOLT	8	
4	90215-06106-00	WASHER, LOCK (306-25834-00)	8	
5	95380-06600-00	NUT	8	
6	90170-08158-00	NUT	6	
7	341-25412-00-00	WASHER	3	
8	(90116-08242-00)	BOLT, STUD	6	
	90116-08218-00	BOLT, STUD	6	
9	(1A1-25810-51-00)	CALIPER ASSEMBLY	1	
10	1A1-W0045-00-00	. BRAKE PAD KIT, FRNT	1	
12	409-25827-50-00	. SHIM, CALIPER	1	
13	409-25828-50-00	. SHIM, CALIPER (306-25828-02)	1	
14	306-25829-00-00	. EMBLEM, CALIPER	1	
15	306-25824-00-00	. SCREW, BLEED	1	
16	306-25825-01-00	. CAP	1	
17	856-W0047-00-00	. CALIPER SEAL KIT (856-20000-50)	1	
18	306-25821-01-00	. BOLT 1	1	
19	306-25822-01-00	. BOLT 2	1	
20	306-25826-01-00	. BOLT 3	2	
21	(90109-10041-00)	BOLT	1	
22	92990-10100-00	LOCKWASHER	2	
23	92990-10600-00	WASHER, PLATE	2	
24	(1A1-25875-02-00)	HOLDER, BRKE HOSE 1	1	
	90176-10013-00	NUT, CROWN	1	
26	98503-06014-00	SCREW, PAN HEAD (92502-06016)	1	
27	92995-06100-00	WASHER, SPRING	1	

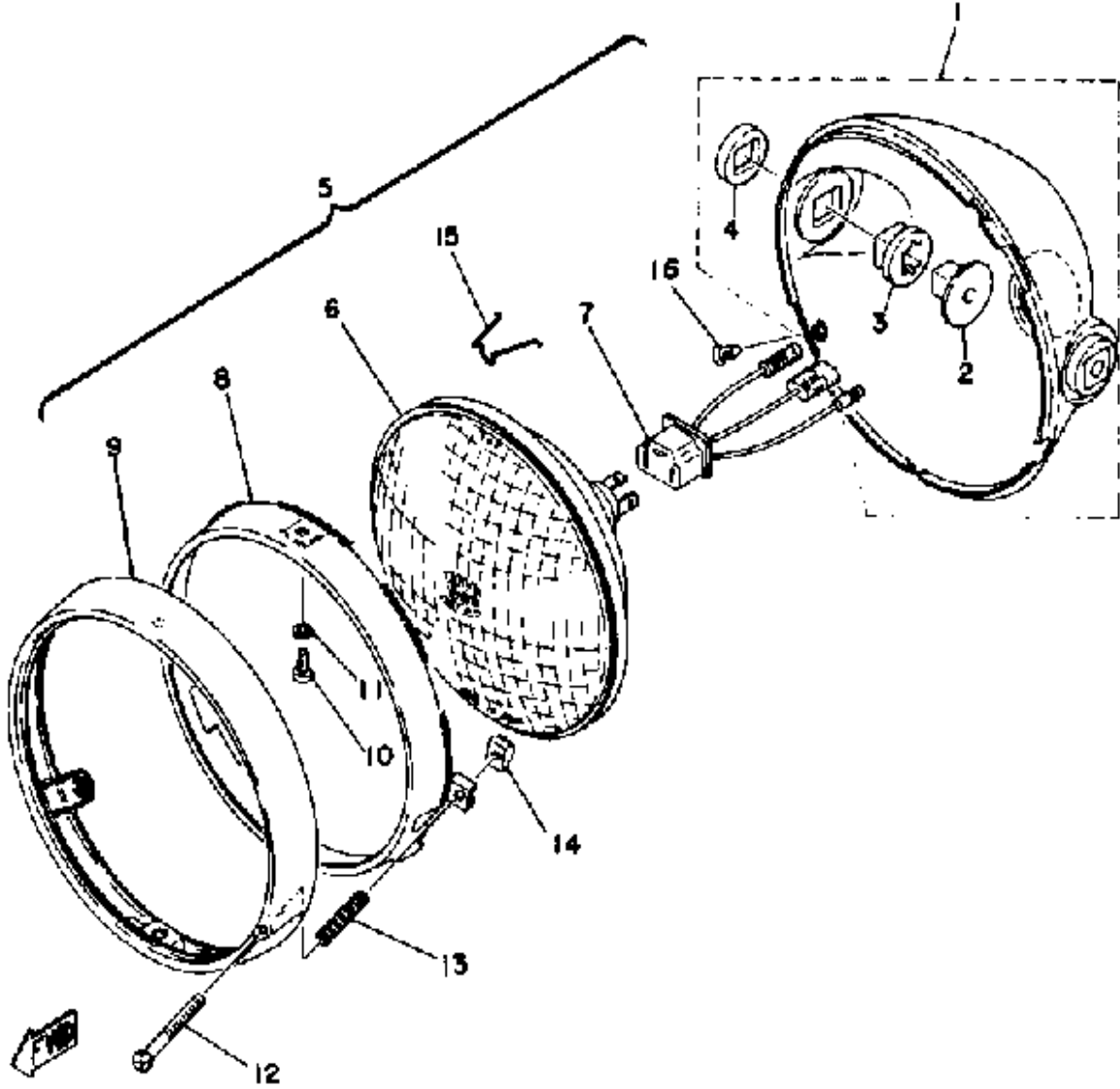
CONTINUED ON NEXT FRAME ►

REAR DISC BRAKE - CALIPER



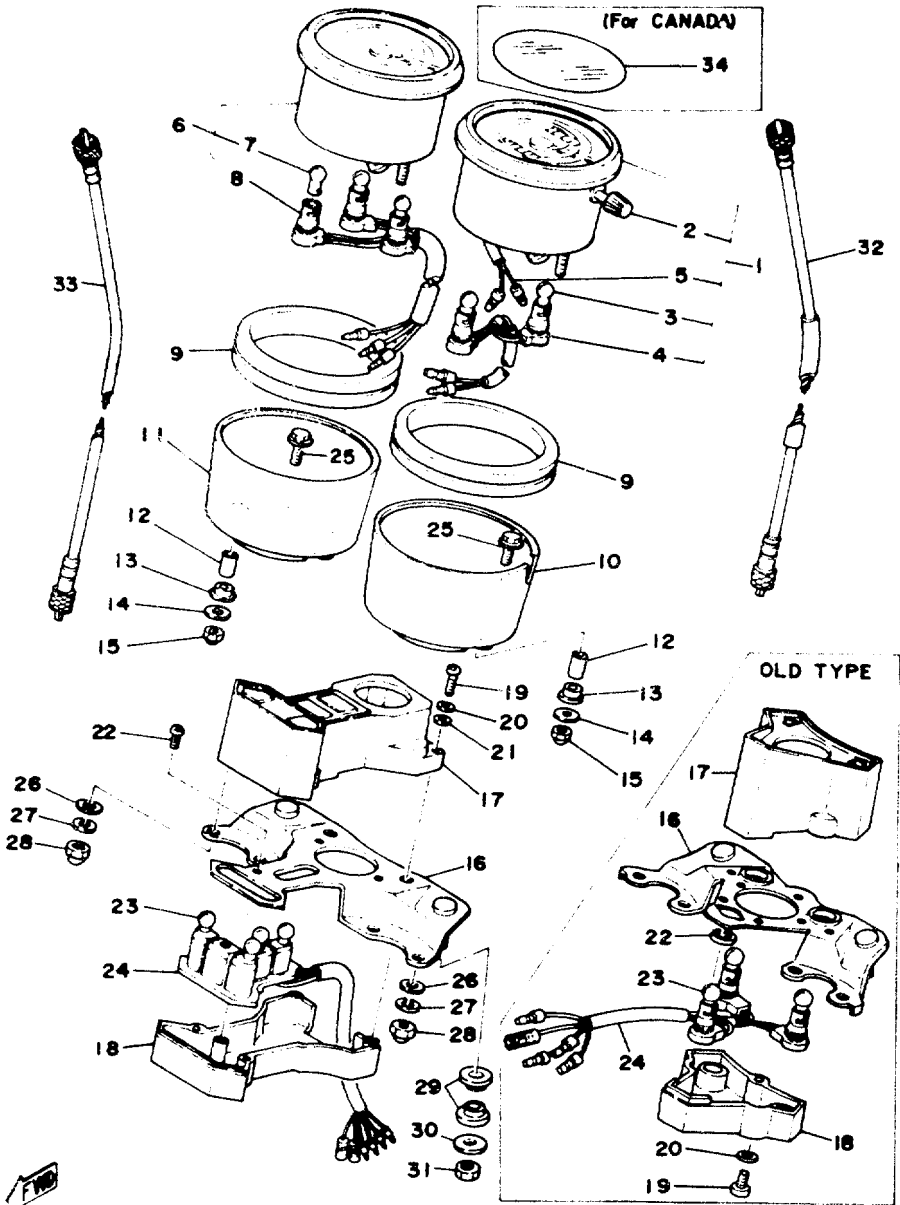
Ref. No.	Part Number	Description	Qty	Remarks
28	92990-06200-00	WASHER	1	

HEAD LAMP



Ref. No.	Part Number	Description	Qty	Remarks
1	1A0-84330-60-33	BODY ASSEMBLY	1	YAMAHA BLK
2	498-84145-60-00	. COLLAR, BODY FITTING	2	
3	498-84163-60-00	. DAMPER	2	
4	498-84164-60-00	. DAMPER	2	
6	1A0-84320-61-00	. LENS ASSEMBLY	1	
7	371-84312-60-00	. SOCKET	1	
8	1A0-84395-60-00	. RING, RETAINING	1	
9	1A0-84315-60-00	. RIM, HEADLIGHT	1	
10	438-84194-60-00	. RING, MOUNTING	2	
11	92990-05100-00	. WASHER, SPRING	2	
12	90157-04001-00	. SCREW, PAN HEAD	1	
13	447-84332-60-00	. SPRING, SCREW	1	
14	198-84334-60-00	. NUT, ADJUSTING	1	
15	507-84324-60-00	. SPRING, REFLECTOR	3	
16	90152-05005-00	SCREW, COUNTERSUNK	1	

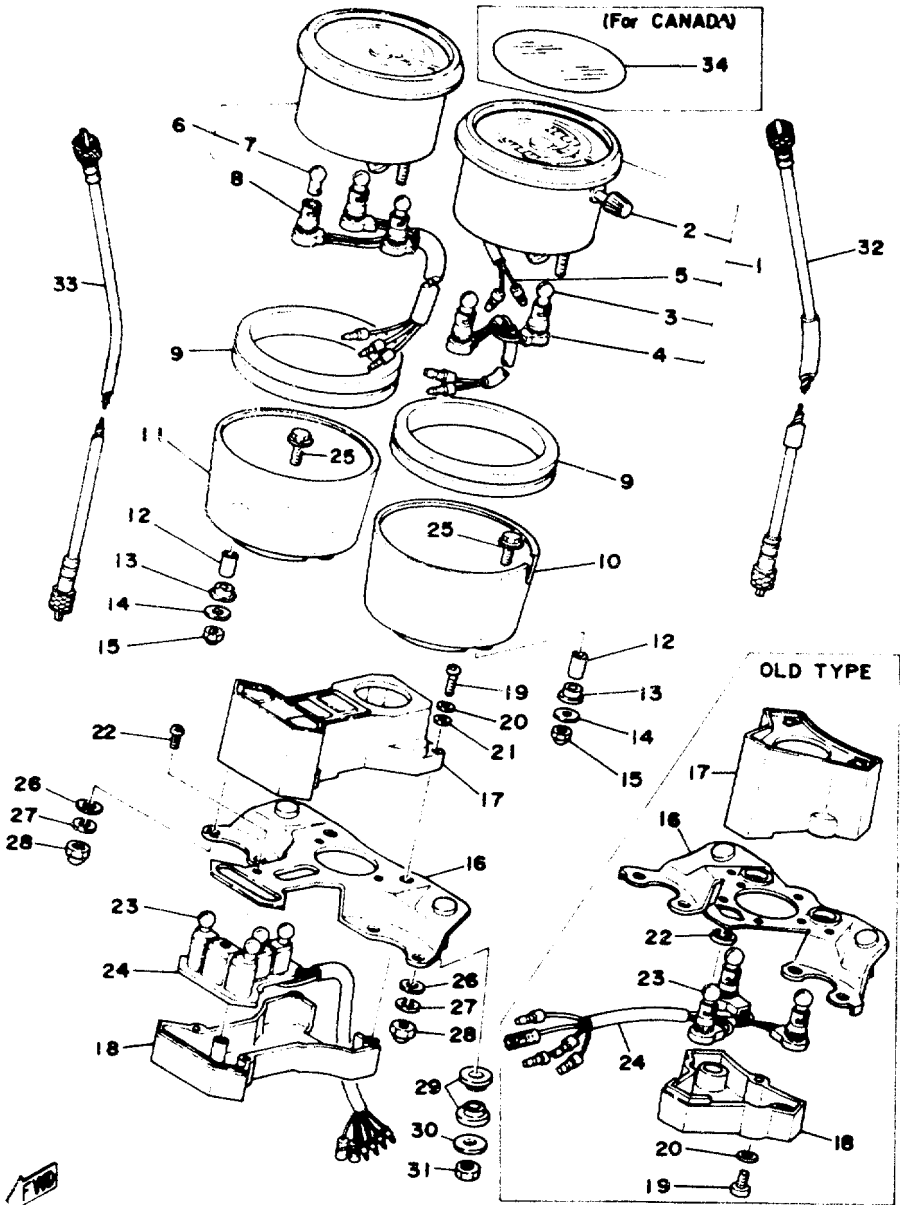
SPEEDOMETER - TACHOMETER



Ref. No.	Part Number	Description	Qty	Remarks
1	(1A2-83570-21-00)	SPEEDOMETER ASSEMBLY ..	1	FOR CANADA KM/H
	1A0-83570-41-00	SPEEDOMETER ASSEMBLY ..	1	
2	584-83578-71-00	. KNOB, TRIP METER	1	
3	123-83516-21-00	. BULB (12V-3.4W)	2	
4	(1A0-83536-01-00)	. SOCKET, METER	1	
5	(1A0-83556-01-00)	. SENDER	1	
6	(1A0-83540-01-00)	TACHOMETER ASSEMBLY ...	1	
	(1A0-83540-02-00)	TACHOMETER ASSEMBLY 0 1	1	301~
7	123-83516-21-00	. BULB (12V-3.4W)	3	301~
	123-83516-21-00	. BULB (12V-3.4W)	4	
8	(1A0-83520-01-00)	. SOCKET CORD ASSEMBLY 0 1	1	301~
	(1A0-83572-00-00)	. CASE, SPD MTR LOWER	1	
9	1A0-83513-00-00	DAMPER	2	
10	1A0-83507-00-00	COVER, SPEEDOMETER	1	
11	1A0-83508-00-00	COVER, TACHOMETER	1	
12	1A0-83522-00-00	COLLAR	4	
13	584-83523-00-00	DAMPER	4	
14	92990-05200-00	WASHER, PLAIN	4	
15	95303-05800-00	NUT (CROWN)	4	
16	(1A0-83519-00-00)	BRACKET, METER	1	
	(1A0-83519-01-00)	BRACKET, METER 0 1	1	301~
17	(1A0-83568-00-00)	PILOT BOX, UPPER	1	
	(1J3-83568-71-00)	PILOT BOX, UPPER	1	301~
18	(584-83569-00-00)	PILOT BOX, LOWER	1	
	1J3-83569-71-00	PILOT BOX, LOWER	1	301~
19	98506-04020-00	SCREW, PAN HEAD	4	301~
	98580-04010-00	SCREW, PAN HEAD	3	
20	92901-04100-00	WASHER, SPRING	3	

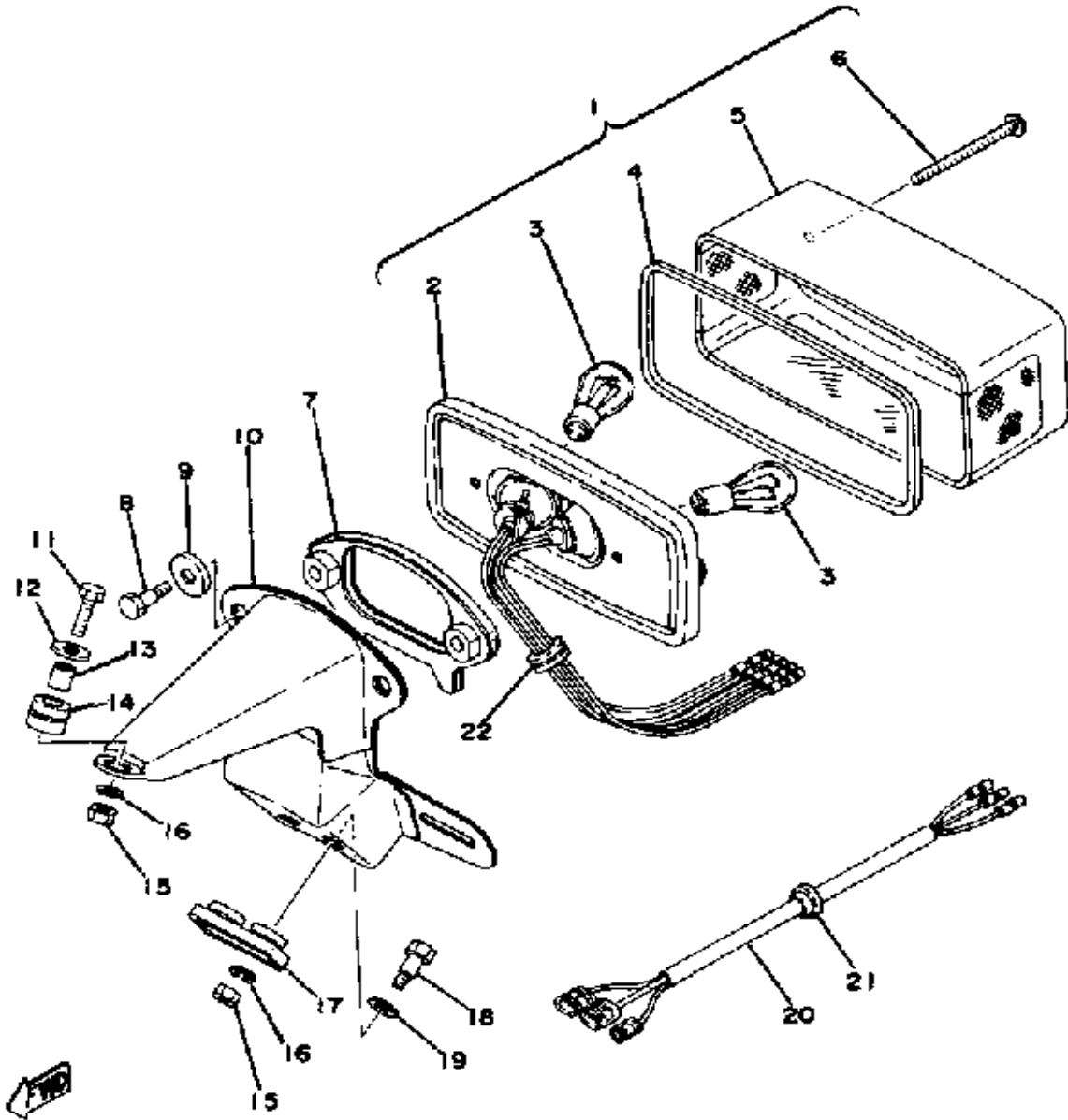
CONTINUED ON NEXT FRAME ►

SPEEDOMETER - TACHOMETER



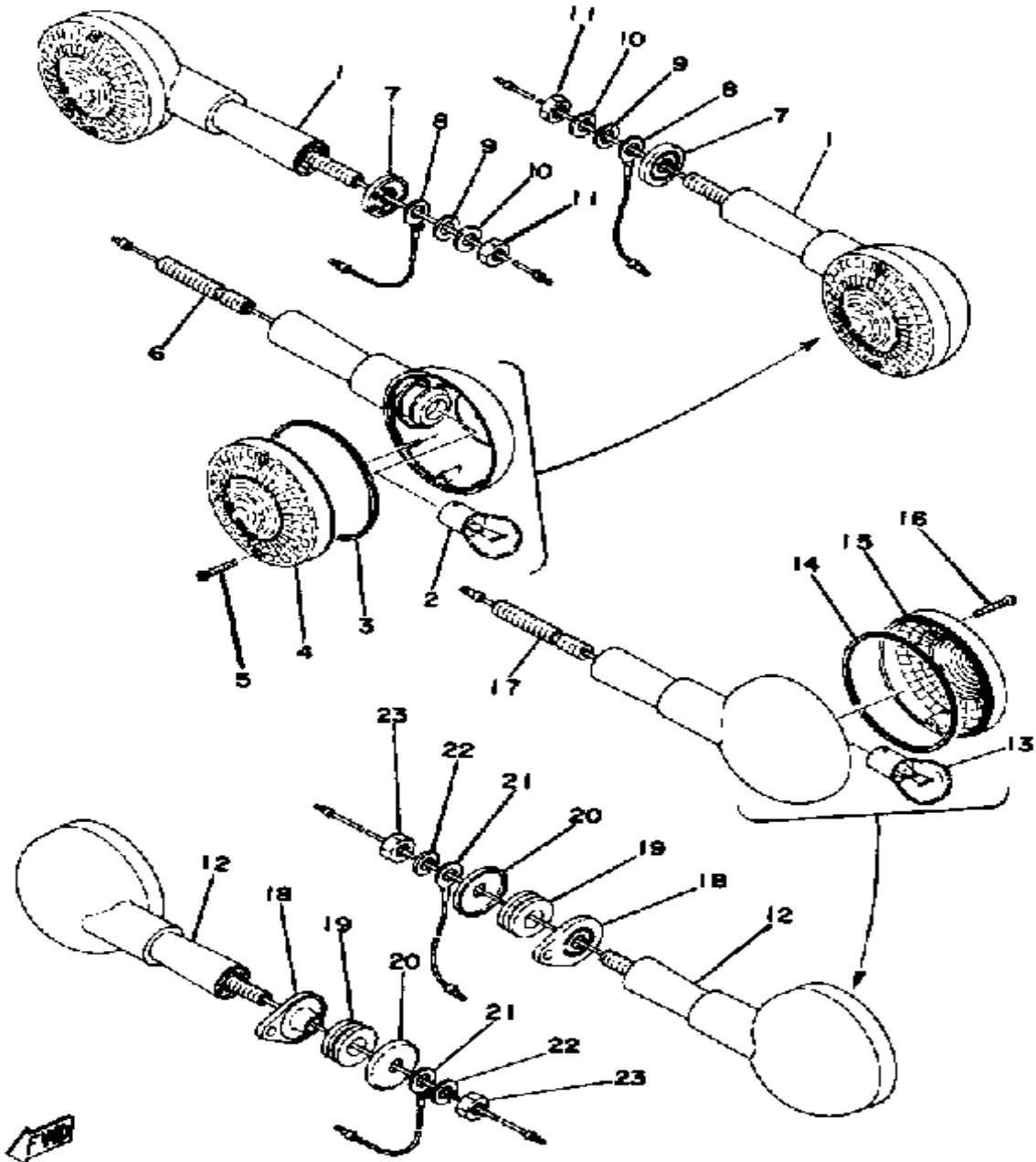
Ref. No.	Part Number	Description	Qty	Remarks
20	92906-04100-00	WASHER, SPRING	4	301~
21	92906-04600-00	WASHER, PLATE	4	
22	(1A0-83541-00-00)	DAMPER	1	
	98580-05010-00	SCREW, PAN HEAD	1	301~
23	123-83516-21-00	BULB (12V-3.4W)	3	
	123-83516-21-00	BULB (12V-3.4W)	4	301~
24	(1A0-83573-00-00)	SOCKET CORD ASSEMBLY 3 .	1	
	(1J7-83509-70-00)	SOCKET CORD ASSEMBLY ..	1	301~
25	584-83546-00-00	BOLT	4	
26	92990-06200-00	WASHER	4	
27	92995-06100-00	WASHER, SPRING	4	
28	95303-06800-00	NUT (CROWN)	4	
29	1A0-83523-00-00	DAMPER	4	
30	90201-06063-00	WASHER, PLATE	2	
31	95380-06600-00	NUT	2	
32	(351-83500-00-0)	UNAVAILABLE IN PRICE BOOK	1	N/A
	55K-83550-01-00	SPEEDOMETER CABLE (351-83550-00)	1	
33	360-83560-01-00	TACHOMETER CABLE (360-83560-00)	1	
34	(1A1-83585-00-00)	UNAVAILABLE IN PRICE BOOK	1	FOR CANADA N/A

TAIL LAMP



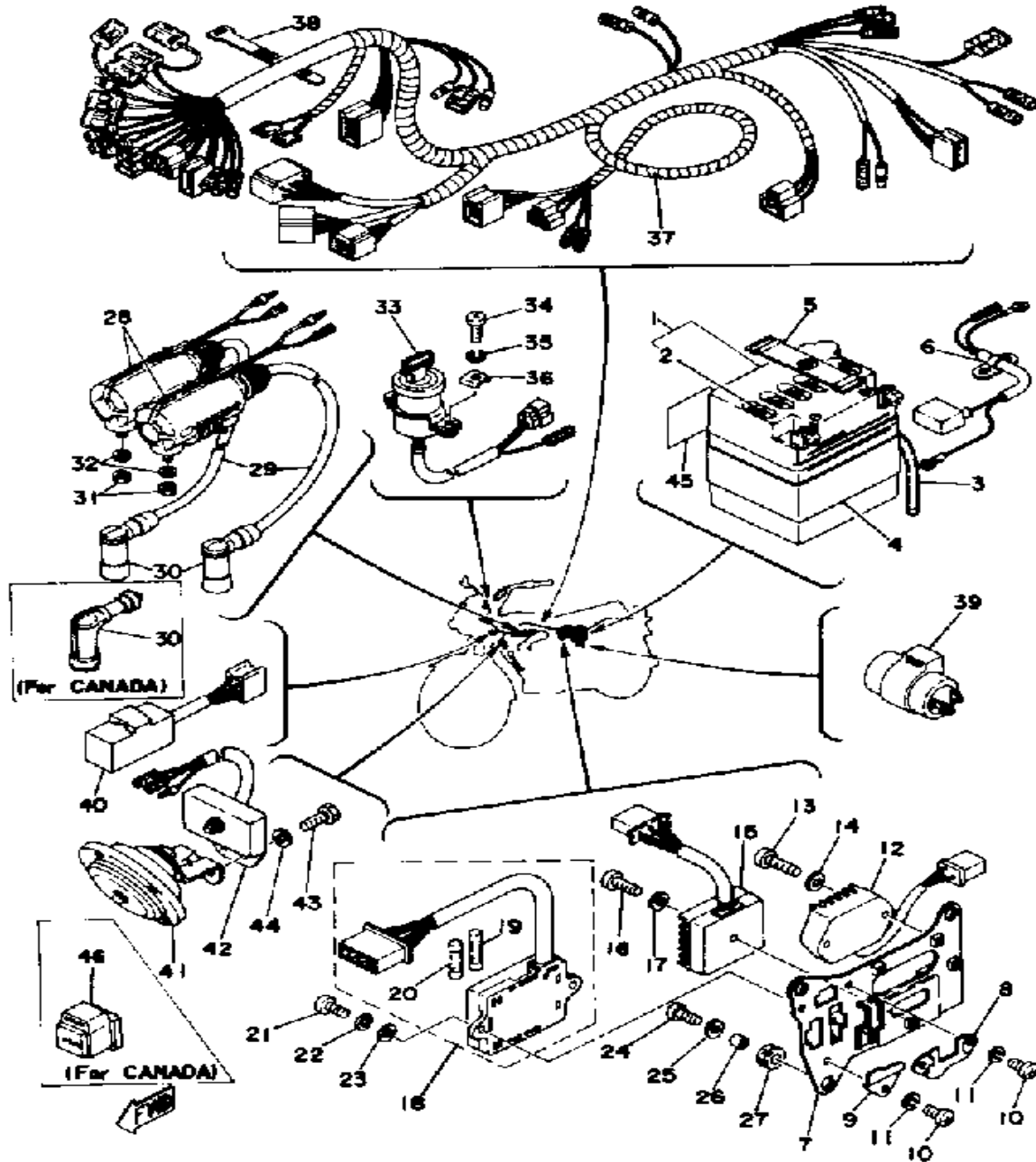
Ref. No.	Part Number	Description	Qty	Remarks
1	2A2-84710-60-00	TAILLIGHT UNIT ASSEMBLY ..	1	
2	(1A0-84711-60-00)	BASE, TAILLIGHT	1	
3	256-84714-61-00	. BULB (12V-27/8W)	2	
4	1A0-84723-60-00	. GASKET, TAIL LENS	1	
5	1A0-84721-60-00	. LENS, TAILLIGHT	1	
6	98580-04055-00	. SCREW, LENS FITTING	2	
7	1A0-84712-60-00	SEAT, BASE	1	
8	1A0-84726-60-00	SCREW	2	
9	2H7-84754-00-00	WASHER, SPECIAL	2	
10	1A0-84751-60-33	BRACKET, LICENSE	1	YAMAHA BLK
11	97011-06020-00	BOLT	1	
12	90209-06095-00	WASHER, SPEC'L SHAP (102-28323-00)	1	
13	90387-07390-00	COLLAR	1	
14	90480-14023-00	GROMMET	1	
15	95380-06600-00	NUT	3	
16	92995-06100-00	WASHER, SPRING	3	
17	214-84553-01-00	DAMPER	1	
18	90109-06017-00	BOLT	2	
19	92990-08200-00	WASHER, PLAIN	2	
20	8L1-84727-00-00	CORD, TAILLIGHT	1	
21	90480-12013-00	GROMMET	1	
22	90480-12067-00	GROMMET	1	

FLASHER LAMP



Ref. No.	Part Number	Description	Qty	Remarks
1	4G5-83310-90-00	FRONT FLASHER ASSEMBLY .	2	
2	256-83311-70-XX	. BULB, TS 12V27W	2	
3	3Y6-83313-00-00	. GASKET, FLSHR LENS	2	
4	341-83312-70-00	. LENS, FLASHER	2	AMBER
5	341-83333-70-00	. SCREW, LENS FITTING	4	
6	360-83367-09-00	. BOLT, STUD	2	
7	360-83316-00-00	COLLAR, FLASHER 1	2	
8	256-84313-01-00	WIRE, EARTH	2	
9	92990-08200-00	WASHER, PLAIN	2	
10	92990-08100-00	WASHER	2	
11	95333-08600-00	NUT, HEXAGON	2	
12	360-83330-21-93	. R FLSHR LITE ASSEMBLY . .	2	AMBER
	360-83330-71-93	R FLSHR LITE ASSEMBLY . . .	2	RED
13	256-83311-70-XX	. BULB, TS 12V27W	2	
14	3Y6-83313-00-00	. GASKET, FLSHR LENS	2	
15	341-83312-70-00	. LENS, FLASHER	2	AMBER
	341-83332-70-00	. LENS, FLASHER	2	RED
16	341-83333-70-00	. SCREW, LENS FITTING	4	
17	360-83367-09-00	BOLT, STUD	2	
18	360-83326-00-00	COLLAR, FLASHER 2	2	
19	90480-18128-00	GROMMET	2	
20	90201-08612-00	WASHER, PLATE	2	
21	256-83336-01-00	CORD	2	
22	92990-08100-00	WASHER	2	
23	95333-08600-00	NUT, HEXAGON	2	

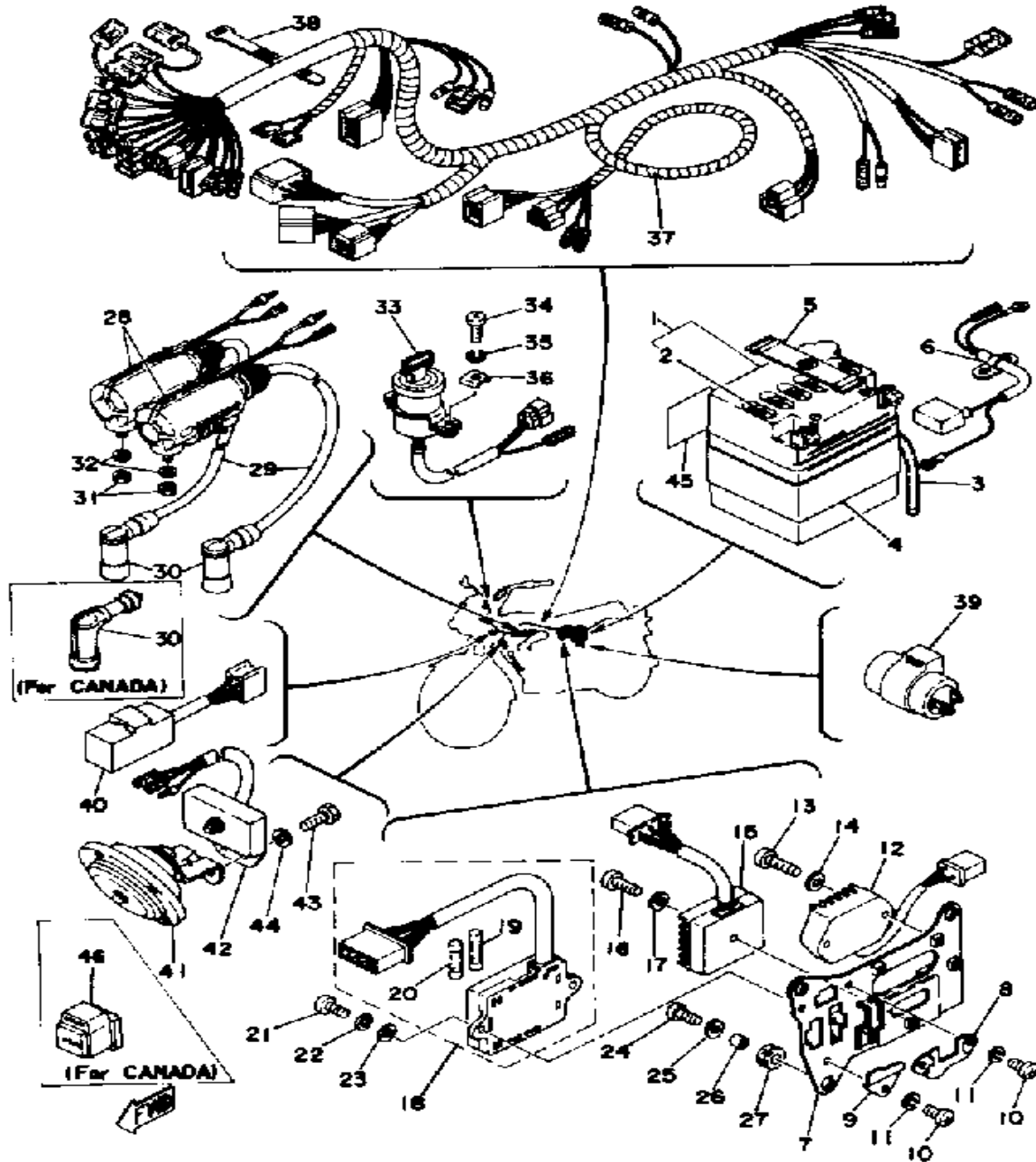
ELECTRICAL



Ref. No.	Part Number	Description	Qty	Remarks
1	BTY-12N55-A3-B0	YUASA 12N5.5A-3B	1	
2	(104-82111-20-00)	CAP, BATTERY	6	
3	90445-08047-00	HOSE (168-82112-00)	1	
4	1UA-82124-00-00	BAND, BATTERY	1	
5	122-82131-00-00	BAND, BATTERY	1	
6	1A0-82117-00-00	WIRE, LEAD	1	
7	(1A0-21543-01-00)	PLATE 1	1	
8	(1A0-21544-00-00)	COLLAR 1	1	
9	(1A0-21545-00-00)	PLATE 3	1	
10	98580-06010-00	SCREW, PAN HEAD (92503-06010)	3	
11	92995-06100-00	WASHER, SPRING	3	
12	1A0-81910-20-00	VOLTAGE REG ASSEMBLY ..	1	
13	98580-06030-00	SCREW PAN HEAD	2	
14	92995-06100-00	WASHER, SPRING	2	
15	1L9-81970-60-00	RECTIFIER ASSEMBLY (1A0-81970-20)	1	
16	92503-06200-00	UNAVAILABLE IN PRICE BOOK	1	
17	92995-06100-00	WASHER, SPRING	1	
18	1J7-82170-40-00	FUSE BOX ASSEMBLY	1	
19	116-82151-00-00	. FUSE (10A)	4	
20	1A0-82161-00-00	. FUSE (20A) (148-82151-00-00)	2	
21	98580-05016-00	SCREW, PAN HEAD (98501-05016)	2	
22	92903-05100-00	WASHER, SPRING	2	
23	92990-05200-00	WASHER, PLAIN	2	
24	98580-06018-00	SCREW, PAN HEAD	3	
25	90201-062A8-00	WASHER, PLATE	3	
26	90387-062N2-00	COLLAR	3	
27	90480-13018-00	GROMMET	3	

CONTINUED ON NEXT FRAME ►

ELECTRICAL



Ref. No.	Part Number	Description	Qty	Remarks
28	1A0-82310-10-00	IGNITION COIL ASSEMBLY ...	2	
29	137-82341-01-00	CORD, HIGH TENSION 1 (3AD-82341-00-00)	2	
30	512-82370-10-00	PLUG CAP ASSEMBLY	2	FOR CANADA
	56J-82370-00-00	PLUG CAP ASSEMBLY	2	FOR U.S.A.
31	95380-06600-00	NUT	4	
32	92995-06100-00	WASHER, SPRING	4	
33	1A0-82508-50-00	MAIN SWITCH ASSEMBLY ...	1	FOR CANADA
	584-82508-40-00	MAIN SWITCH ASSEMBLY ...	1	FOR U.S.A.
34	98501-05018-00	SCREW, PAN HEAD	2	
35	92990-05100-00	WASHER, SPRING	2	
36	533-82517-00-00	WASHER, SPECIAL	2	
37	(1A0-82590-50-00)	UNAVAILABLE IN PRICE BOOK	1	FOR CANADA N/A
	1A0-82590-62-00	WIRE HARNESS ASSEMBLY ..	1	FOR U.S.A.
38	437-83936-11-00	BAND, SWITCH CORD	2	
39	2F0-83350-70-00	FLASHER RELAY ASSEMBLY .	1	
40	1A0-83395-03-00	FLASHER CANCL UNIT	1	
41	1A0-83371-21-00	HORN	1	
42	1A0-85370-10-00	RESISTOR ASSEMBLY	1	
43	97011-06016-00	BOLT	2	
44	92995-06100-00	WASHER, SPRING	2	
45	118-82141-09-00	LABEL, BATTERY	1	
46	(360-81590-10-00)	UNAVAILABLE IN PRICE BOOK	1	FOR CANADA N/A

RD400C

1975 SERVICE DATA

MOTORCYCLE
M5-091

RD400D

1977 SERVICE DATA

MOTORCYCLE
M6-037

MODEL - IBM I.D. NUMBER	RD400CG (Green) RD400CR (Red)	1A1
Starting Engine and Frame Number	1A1-000101	
Basic Color (fuel tank)	Geneva Green or Chappy Red	
Net Weight	342 lbs.	
ENGINE (type, induction system)	2-stroke, 7-port, Twin, Reed Valve	
Bore x Stroke x Cylinder(s) Displacement	64 x 62mm x 2	398cc
Compression Ratio	6.3:1	
Piston Skirt Clearance (new/max.)	.035 ~ .040mm (.0014 ~ .0016") / 0.1mm (.004")	
Ring End Gap (top/2nd/3rd)	0.3 ~ 0.5mm (.012 ~ .020") / Same / ϕ	
Ring Groove Clearance (top/2nd/3rd)	ϕ / .03 ~ .05mm (.0012 ~ .0020") / ϕ	
Valve Clearance (eng. cold) Intake/Exhaust	ϕ	
AUTOLUBE - Minimum Pump Stroke/Color Code	0.20 ~ 0.25mm (.008 ~ .010") / Blue	
CARBURETOR (mfr.) (type) (I.D. number)	Mikuni / VM28SC / 1A100	
Main Jet	No. 115	
Needle Jet	P-2 (175 length)	
Jet Needle/Clip Position	5L1/3rd	
Cutaway	2.5	
Pilot Jet	No. 25	
Air Jet	0.5	
Starter Jet	No. 70	
Air Screw (turns out)	1½	
Float Level	23 ± 1.0mm	
Air Filter (type x quantity)	Dry paper x 1	
DRIVE - Primary (type) (teeth) (ratio)	Helical Gear	66/23 2.869
Secondary (type) (teeth) (ratio)	DK530DS, 96L	38/17 2.235
Transmission Ratios 1st (teeth) (ratio) (O.A.)	36/14	2.571 16.485
2nd	32/18	1.777 11.394
3rd	29/22	1.318 8.451
4th	26/24	1.083 6.944
5th	25/26	0.961 6.162
6th	24/27	0.888 5.694
CAPACITIES - Transmission	1500cc (Oil change) / 1700cc (Dry) SAE20W40	
Oil Tank or Engine Sump	1.9 qts. Yamalube 2-cycle*	
Fuel Tank	3.4 gals. Low Lead (Regular)	
Front Forks	144cc (4.9 oz.) 10, 20 or 30wt. Fork Oil*	
Rear Shocks	ϕ	
Tires (size/nominal pressure)	Front: 3.25S-18/26psi / Rear: 3.50S-18/28psi	
ELECTRICAL - Charging System (mfr.) (type)	Mitsubishi / AZ2015Y / A.C. Generator	
No Load Voltage Adj. (AC & DC generators)	14.5 ± 0.3V @ 2,000rpm	
Max. Generator (Magneto) Output	14V20A above 5,000rpm	
Field Coil (and/or) Charging Coil Resistance	4.3 Ω (Rotor) / 0.32 Ω (Stator)	
Battery (mfr.) (model) (charging rate)	YUASA / 12N5.5A-3B / 12V5.5A	
Headlight/Tailight Ratings	12V40W/30W / 12V8W/27W	
Ign. Coil Min. Spark Gap/Pri. Res./Sec. Res.	6mm / 1.4 Ω / 6.6K Ω	
Source Coil Res./Pulse Coil Res.	ϕ	
Condenser Capacity	0.22 μ F	
Point Gap/Spark Plug (type/gap)	0.3 ~ 0.4mm (.012 ~ .016") / NGK B-8ES / 0.6mm (.024")	
Timing (advanced) (retarded)	2.3 ± 0.15mm B.T.D.C. / ϕ	

N/A = Information Not Available * Available from Yamaha Parts Distributors, Inc.
 ϕ = Does Not Apply To This Model

MODEL - IBM I.D. NUMBER	RD400DB (Blue) RD400DR (Red)	1A1
Starting Engine and Frame Number	1A1-300101	1A1-300101
Basic Color (fuel tank)	French Blue or Chappy Red	
Net Weight	342 lbs.	
ENGINE (type, induction system)	2-stroke, 7-port, Twin, Reed Valve	
Bore x Stroke x Cylinder(s) Displacement	64 x 62mm x 2	398cc
Compression Ratio (Pressure)	6.2:1	
Piston Skirt Clearance (new/max.)	.035 ~ .040mm (.0014 ~ .0016") / 0.1mm (.004")	
Ring End Gap (top/2nd/3rd)	0.3 ~ 0.5mm (.012 ~ .020") / Same / ϕ	
Ring Groove Clearance (top/2nd/3rd)	ϕ / .03 ~ .05mm (.0012 ~ .0020") / ϕ	
Valve Clearance (eng. cold) Intake/Exhaust	ϕ	
AUTOLUBE - Minimum Pump Stroke/Color Code	0.20 ~ 0.25mm (.008 ~ .010") / Blue	
CARBURETOR (mfr.) (type) (I.D. number)	Mikuni / VM28SC / 1A100	
Main Jet	No. 115	
Needle Jet	P-2 (175 length)	
Jet Needle/Clip Position	5L1/3rd	
Cutaway	2.5	
Pilot Jet	No. 25	
Air Jet	0.5	
Starter Jet	No. 70	
Air Screw (turns out)	1½	
Float Level	23 ± 1.0mm	
Air Filter (type x quantity)	Dry paper x 1	
DRIVE - Primary (type) (teeth) (ratio)	Helical Gear	66/23 2.869
Secondary (type) (teeth) (ratio)	DK530DS, 96L	38/17 2.235
Transmission Ratios 1st (teeth) (ratio) (O.A.)	36/14	2.571 16.485
2nd	32/18	1.777 11.394
3rd	29/22	1.318 8.451
4th	26/24	1.083 6.944
5th	25/26	0.961 6.162
6th	24/27	0.888 5.694
CAPACITIES - Transmission	1500cc (Oil change) / 1700cc (Dry) SAE20W40	
Oil Tank or Engine Sump	1.7 qts. Yamalube 2-cycle*	
Fuel Tank	3.4 gals. Low Lead (Regular)	
Front Forks	144cc (4.9 oz.) 10, 20 or 30wt. Fork Oil*	
Rear Shocks	ϕ	
Tires (size/nominal pressure)	Front: 3.25S-18/26psi / Rear: 3.50S-18/28psi	
ELECTRICAL - Charging System (mfr.) (type)	Mitsubishi / AZ2015Y / A.C. Generator	
No Load Voltage Adj. (AC & DC generators)	14.5 ± 0.3V @ 2,000 rpm	
Max. Generator (Magneto) Output	14V20A above 5,000 rpm	
Field Coil (and/or) Charging Coil Resistance	4.3 Ω (Rotor) / 0.32 Ω (Stator)	
Battery (mfr.) (model) (charging rate)	YUASA / 12N5.5A-3B / 12V5.5A X 10 hrs.	
Headlight/Tailight Ratings	12V40W/30W / 12V8W/27W	
Ign. Coil Min. Spark Gap/Pri. Res./Sec. Res.	6mm / 1.4 Ω / 6.6K Ω	
Source Coil Res./Pulse Coil Res.	ϕ	
Condenser Capacity	0.22 μ F	
Point Gap/Spark Plug (type/gap)	0.3 ~ 0.4mm (.012 ~ .016") / NGK B-8ES / 0.6mm (.024")	
Timing (advanced) (retarded)	2.3 ± 0.15mm B.T.D.C. / ϕ	

N/A = Information Not Available * Available from Yamaha Parts Distributors, Inc.
 ϕ = Does Not Apply To This Model

RD400D
1977 SERVICE DATA

MODEL -- IBM I.D. NUMBER	RD400DB (Blue)	RD400DR (Red)	1A1
Starting Engine and Frame Number	1A1-300101	1A1-300101	
Basic Color (fuel tank)	French Blue or Chappy Red		
Net Weight	342 lbs.		
ENGINE (type, induction system)	2-stroke, 7-port, Twin, Reed Valve		
Bore x Stroke x Cylinder(s) Displacement	64 x 62mm x 2	398cc	
Compression Ratio (Pressure)	6.2:1		
Piston Skirt Clearance (new/max.)	.035 ~ .040mm (.0014 ~ .0016") / 0.1mm (.004")		
Ring End Gap (top/2nd/3rd)	0.3 ~ 0.5mm (.012 ~ .020") / Same / ϕ		
Ring Groove Clearance (top/2nd/3rd)	ϕ / .03 ~ .05mm (.0012 ~ .0020") / ϕ		
Valve Clearance (eng. cold) Intake/Exhaust	ϕ		
AUTOLUBE -- Minimum Pump Stroke/Color Code	0.20 ~ 0.25mm (.008 ~ .010") / Blue		
CARBURETOR (mfr.) (type) (I.D. number)	Mikuni / VM28SC / 1A100		
Main Jet	No. 115		
Needle Jet	P-2 (175 length)		
Jet Needle/Clip Position	5L1/3rd		
Cutaway	2.5		
Pilot Jet	No. 25		
Air Jet	0.5		
Starter Jet	No. 70		
Air Screw (turns out)	1 1/2		
Float Level	23 \pm 1.0mm		
Air Filter (type x quantity)	Dry paper x 1		
DRIVE -- Primary (type) (teeth) (ratio)	Helical Gear	66/23	2.869
Secondary (type) (teeth) (ratio)	DK530DS, 96L	38/17	2.235
Transmission Ratios 1st (teeth) (ratio) (O.A.)	36/14	2.571	16.485
2nd	32/18	1.777	11.394
3rd	29/22	1.318	8.451
4th	26/24	1.083	6.944
5th	25/26	0.961	6.162
6th	24/27	0.888	5.694
CAPACITIES -- Transmission	1500cc (Oil change) / 1700cc (Dry) SAE20W40		
Oil Tank or Engine Sump	1.7 qts. Yamalube 2-cycle*		
Fuel Tank	3.4 gals. Low Lead (Regular)		
Front Forks	144cc (4.9 oz.) 10,20 or 30wt. Fork Oil*		
Rear Shocks	ϕ		
Tires (size/nominal pressure)	Front: 3.25S-18/26psi / Rear: 3.50S-18/28psi		
ELECTRICAL -- Charging System (mfr.) (type)	Mitsubishi / AZ2015Y / A.C. Generator		
No Load Voltage Adj. (AC & DC generators)	14.5 \pm 0.3V @ 2,000 rpm		
Max. Generator (Magneto) Output	14V20A above 5,000 rpm		
Field Coil (and/or) Charging Coil Resistance	4.3 Ω (Rotor) / 0.32 Ω (Stator)		
Battery (mfr.) (model) (charging rate)	YUASA / 12N5.5A-3B / 12V5.5A X 10 hrs.		
Headlight/Tailight Ratings	12V40W/30W / 12V8W/27W		
Ign. Coil Min. Spark Gap/Pri. Res./Sec. Res.	6mm / 1.4 Ω / 6.6K Ω		
Source Coil Res./Pulse Coil Res.	ϕ		
Condenser Capacity	0.22 μ F		
Point Gap/Spark Plug (type/gap)	0.3 ~ 0.4mm (.012 ~ .016") / NGK B-8ES / 0.6mm (0.24")		
Timing (advanced) (retarded)	2.3 \pm 0.15mm B.T.D.C. / ϕ		

N/A = Information Not Available * Available from Yamaha Parts Distributors, Inc.
 ϕ = Does Not Apply To This Model