

YAMAHA

**GENUINE
PARTS CATALOGUE**

FOREWORD

- INTRODUCTION - To The Yamaha Parts Fiche

This parts fiche lists parts and sub-assemblies for this model.

When preparing a parts order, please refer to the most recently updated microfiche for this model.

THE YAMAHA PARTS FICHE

SYMBOLS

- []** Inactive, no longer available
- U.R.** Use size (thickness) and/or number as required
- U.N.** Use as many as you need
- T** Number of teeth in a gear
- V** Voltage for light bulbs
- S** "S" type oil seal or "S" type circlip
- SD,SO,SW** "SD", "SO", or "SW" type oil seal
- E,R** "E" or "R" type circlip
- F/No.** Frame No. (Applicable Machine No.)
- L.M.** Locally made
- O.L.** Obtain locally

SUPERSEDED PART NUMBERS

If part 'A' has been superseded by part 'B', the superseding part number "B" will appear in the part number listing with the superseded part number "A" appearing in parentheses immediately following the description.

Example:

Ref. No.	Part	No. Description	Qty
	(Part 'B')	(Part 'A')	
8	123-45678-00-00	CYLINDER(111-12345-00)	1

A part that has been superseded to a kit may be identified by a 99999-00000 part number appearing in the part number column. The old superseded part number will appear in parentheses immediately following the description. Listed directly below the 99999 part number will be those parts making up the kit. The description of the parts making up the kit will be preceded by a small black dot(.) and the description will be indented one letter space.

Example:

Ref. No.	Part	No. Description	Qty
8	99999-12345-00	CYLINDER(111-12345-00)	1
	234-56789-00-00	. HEAD, cylinder	1
	345-67890-00-00	. GASKET, cylinder	1

SIZES

Except for steel balls(ball sizes are indicated in inches), all parts sizes are indicated in millimeters as in the following examples:

- Hose(Rubber or Vinyl).....Inside Diameter - Length
- O-Ring.....Section Area - Inside Diameter
- Washer, Shim, Collar.....Inside Diameter - Outside Diameter
Thickness (Length)

FOREWORD

ASSEMBLIES AND COMPONENT PARTS

Assemblies and their component parts, are identified by an indentation of one letter space, and the description is preceded by a dot (.). If 2 main assemblies are listed, and have the same basic description (i.e.: left and right sides of the same assembly), one will immediately follow the other. If each of these main assemblies is made up of almost the same components, these component parts will be listed immediately under the second main assembly line and will be indicated, as noted above.

If the component is the same for both main assemblies, the quantity indicated will be the total required. If the component is not the same for both main assemblies, the quantity for each separate item will be listed separately.

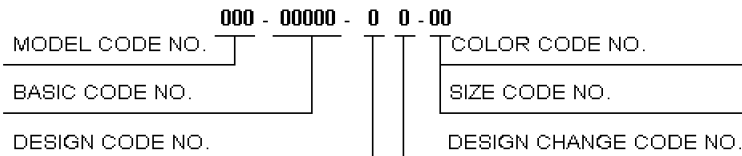
Examples:

Description	Qty
CARBURETOR ASS'Y, left	1
CARBURETOR ASS'Y, right	1
. JET, pilot	2
. NOZZLE, main	2
. LEVER, starter, left	1
. LEVER, starter, right	1

THE YAMAHA PART NUMBER

The Yamaha part number consists of 12 digits. Each number represents a specific piece of information relating to a replacement part. The following is a guide for reading and interpreting the Yamaha part number.

BASIC PART NUMBER CONFIGURATION:



MODEL CODE NUMBER

FIRST THREE DIGITS . . . **000**-00000-00-00

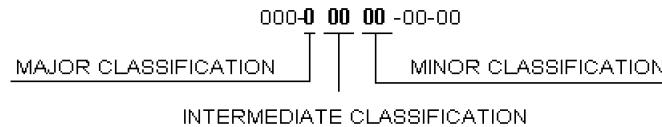
Every model in each Yamaha product line is assigned a model number to identify that particular model. All component parts are given the model code number relating to the model on which they were first used.

Example: 2K3-00000-00-00 identifies the XS750D.
 2F4-00000-00-00 identifies the GT80E.

BASIC CODE NUMBER

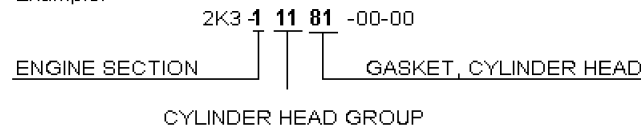
MIDDLE FIVE DIGITS . . . 000-**00000**-00-00

These "Middle Five Digits" indicate the type of part i.e. piston, rings, lower units, etc. The five digits are broken down as follows:



The "Major Classification" indicates the section to which the parts belong, i.e., engine, electrical etc. The "Intermediate" and "Minor Classifications" indicate more specific details.

Example:



DESIGN CODE NUMBER: 000-00000-00-00

The design code distinguishes like component parts from one another when specification differences are involved. For example, distinguishing a standard size piston ring from an oversized piston ring.

Example:

4U8-11610-0 0-00 Standard Piston Ring Set for XJ550H
 4U8-11610-2 0-00 Oversize Piston Ring Set for XJ550H

FOREWORD

DESIGN CHANGE CODE NUMBER: 000-00000-0 0-00

This code number is used to identify a difference between a new component part and old one when a new part is created by changing the old one.

Example: XJ550H

4U8-11610-0 0 -00 Piston Ring Set, std. - ORIGINAL
 4U8-11610-0 1 -00 Piston Ring Set, std. - FIRST DESIGN CHANGE

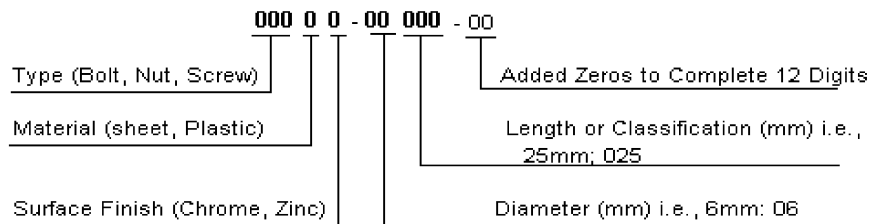
Only major changes to performance, durability, quality, appearance, cost or interchange ability will affect a part number change.

COLOR CODE & SIZE CODE NUMBER: 000-00000-00- 00

When applicable, the last two digits of the part number identify:

1. Color Code: The painted color or type of plating or surface treatment used on certain parts.
2. Size Code: The last two digits are also used to show the size of parts (mm). Such as the thickness of shims or the size of pistons.

HARDWARE (Fastener) PART NUMBER CONFIGURATION:



TYPE:

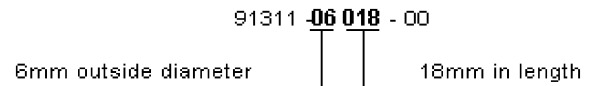
A fastener part number always begins with the number "9" followed by either a 0, 1, 2, 3, 4, 5, 7, or 8 designating one of eight major divisions within this group.

Example:

- 9 0 000-00000-00 "0" designates various types.
- 9 1 000-00000-00 "1" designates bolts, cotter pins, etc.
- 9 2 000-00000-00 "2" designates screws, nuts, etc.
- 9 3 000-00000-00 "3" designates oils seals, o-rings, bearings, etc.
- 9 4 000-00000-00 "4" designates spark plugs.
- 9 5 000-00000-00 "5" designates bolts and nuts.
- 9 7 000-00000-00 "7" designates ISO bolts.
- 9 8 000-00000-00 "8" designates ISO screws and nuts.

The only major divisions which the mechanic should become familiar with are those related to the general hardware (nuts, bolts, and washers), since these are the most commonly used and most often replaced items. By knowing how to interpret the part number, the dimensions of a piece of hardware can be determined. This can be very helpful during major engine repair, and general parts replacement.

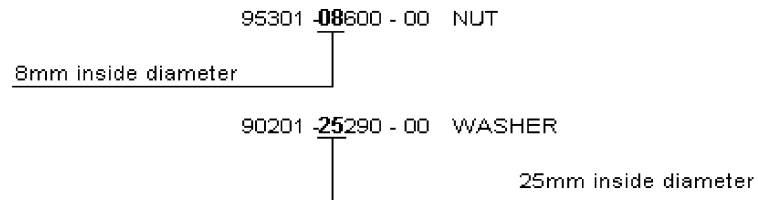
BOLT EXAMPLE:



EXCEPTION:

It is NOT possible to identify the LENGTH of bolts having a 901 prefix. Only the bolt diameter can be identified with this number.

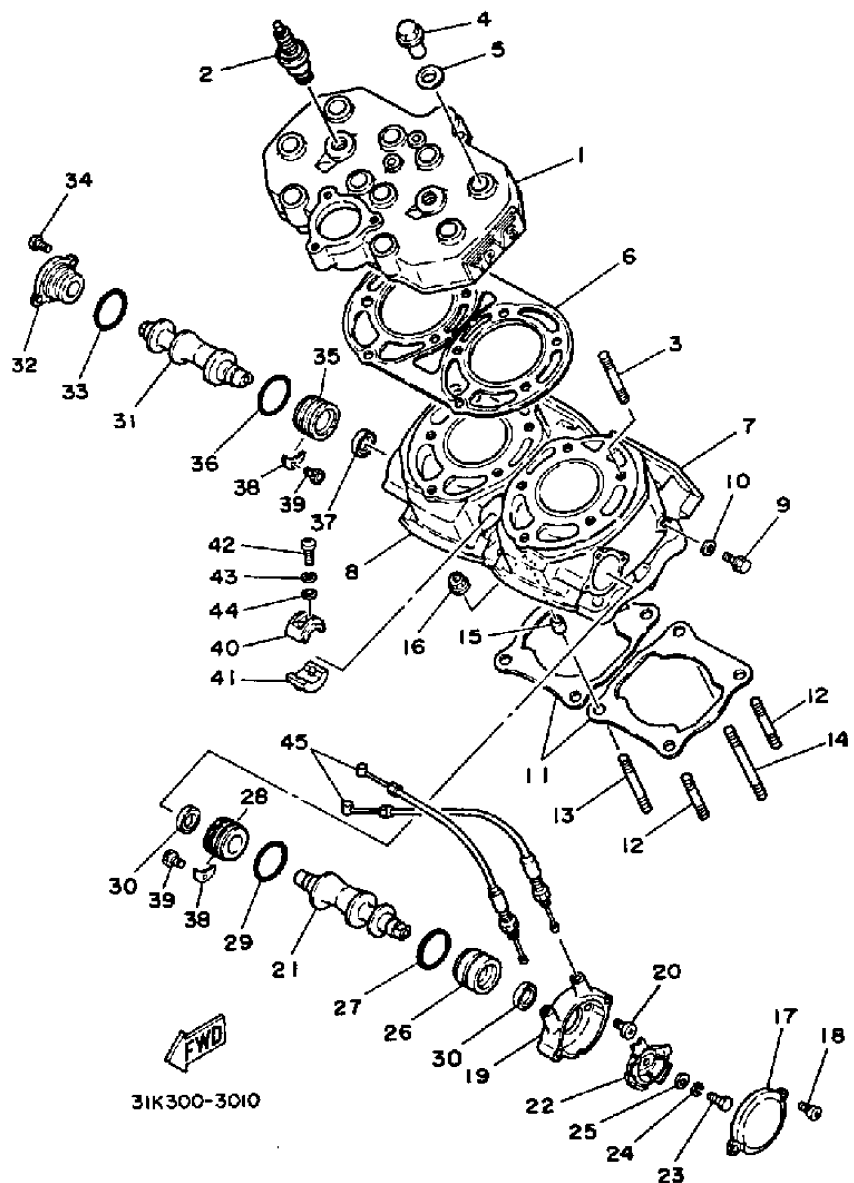
NUT AND WASHER EXAMPLE:



Catalog Title:
1985 RZ350N/NC/NCII

Block No.
A-5

Block Title:
CYLINDER

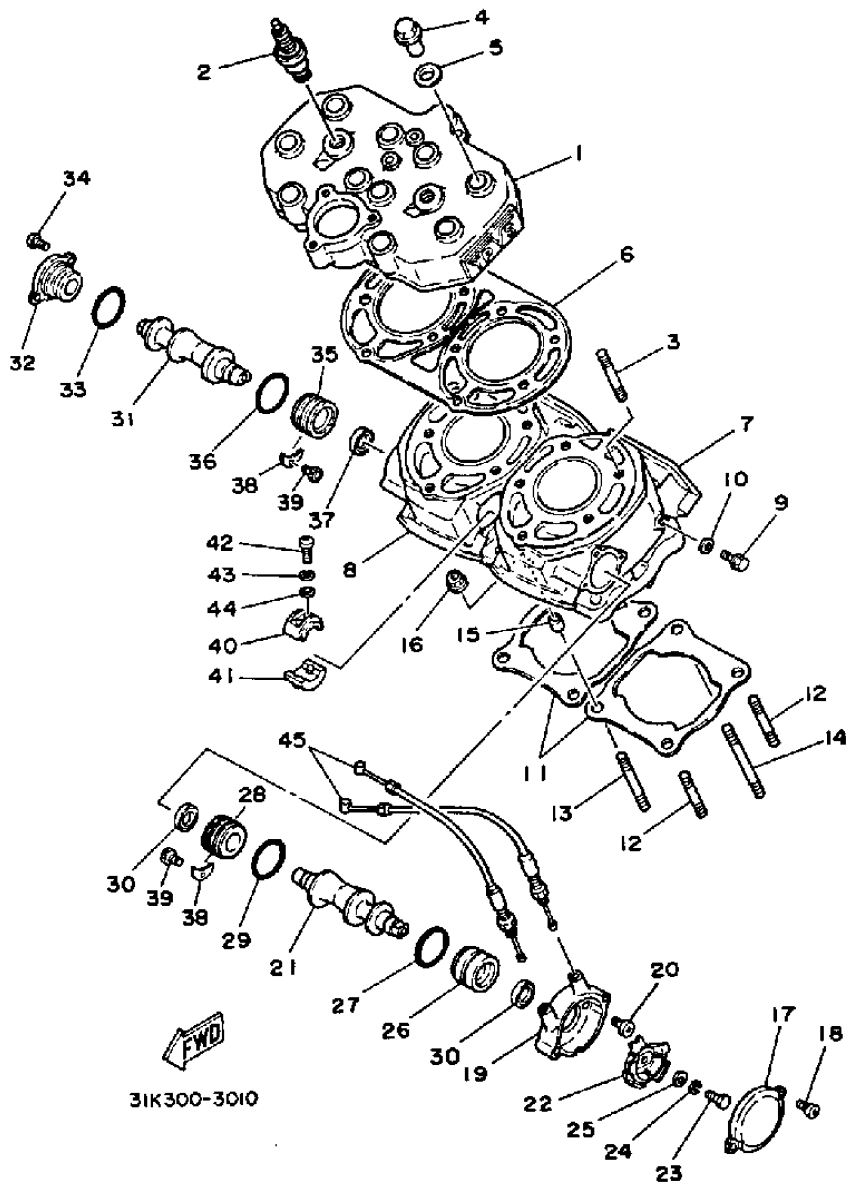


Ref. No.	Part No.	Description
1	31K-11111-00-00	HEAD,CYLINDER 1
2	NGK-BR8ES-00-00	NGK BR8ES 10PK
3	90116-08424-00	BOLT,STUD
4	90179-08343-00	NUT,SPEC'L SHAPE
5	90201-122A7-00	WASHER,PLATE
6	31K-11181-00-00	GASKET,CYL HEAD 1
7	48H-11311-00-00	CYLINDER 1
8	48H-11321-00-00	CYLINDER 2
9	95826-06010-00	95827-06010-00
10	90430-06166-00	GASKET
11	29L-11351-00-00	29L-11351-01-00
12	90116-08318-00	90116-08394-00
13	90116-08388-00	90116-08392-00
14	90116-08064-00	BOLT,STUD
15	99510-10114-00	PIN,DOWEL
16	90179-08491-00	NUT,SPEC'L SHAPE
17	29L-1131R-00-00	2RH-1131R-10-00
18	98516-05012-00	98517-05012-00
19	29L-1131M-00-00	COVER
20	98580-05012-00	SCREW,PAN HEAD
21	31K-1131A-00-00	VALVE 1
22	29L-1132E-00-00	PULLEY 1
23	97116-06020-00	UNAVAILABLE
24	92906-06100-00	92907-06100-00
25	92906-06600-00	92907-06600-00

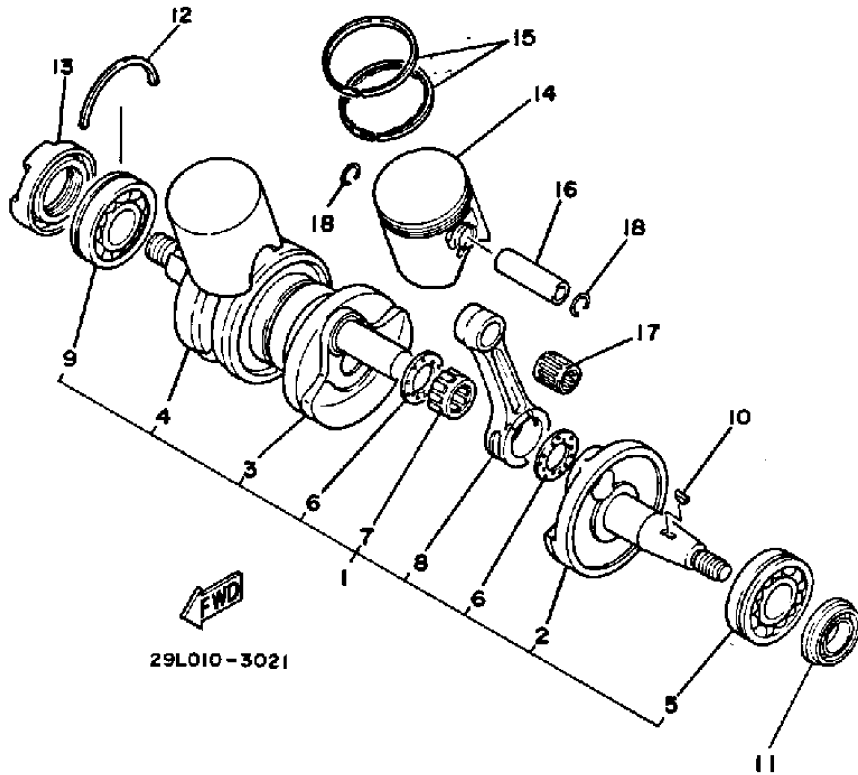
Catalog Title:
1985 RZ350N/NC/NCII

Block No.
A-5

Block Title:
CYLINDER



Ref. No.	Part No.	Description
26	31K-1131U-00-00	HOLDER 3
27	93210-30734-00	O-RING
28	31K-1131F-00-00	HOLDER 2
29	93210-30734-00	O-RING
30	93108-23010-00	OIL SEAL,OSO-TYPE
31	31K-1132A-00-00	VALVE 2
32	1UA-1131E-00-00	HOLDER 1
33	93210-30734-00	O-RING
34	98516-05012-00	98517-05012-00
35	31K-1131F-00-00	HOLDER 2
36	93210-30734-00	O-RING
37	93108-23010-00	OIL SEAL,OSO-TYPE
38	31K-11915-00-00	PLATE, THRUST 1
39	91316-05010-00	91317-05010-00
40	29L-1131H-00-00	JOINT 1
41	29L-1131J-00-00	JOINT 2
42	98511-04025-00	98517-04025-00
43	92901-04600-00	92990-04600-00
44	92901-04600-00	92990-04600-00
45	29L-1133E-00-00	WIRE,PULLEY 1



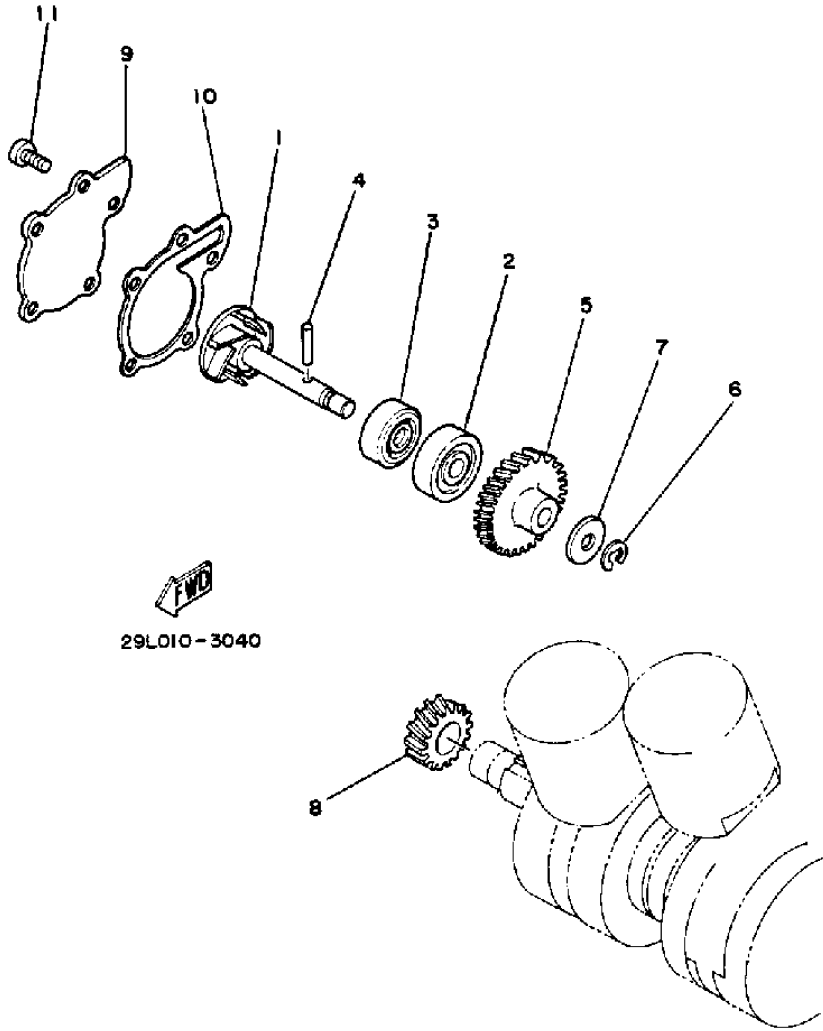
Ref. No.	Part No.	Description
1	29L-11400-21-00	CRANKSHAFT ASSY
2	29L-11412-00-00	» CRANK 1
3	29L-11409-30-00	» CRANK SUB ASSY
4	29L-11442-10-00	» CRANK 4
5	93306-30564-00	» 93306-30561-00
6	90209-22248-00	» WASHER, SPEC'L SHAP
7	93310-522L4-00	» 93310-523D2-00
8	29L-11651-00-00	» ROD, CONNECTING
9	93306-30549-00	» BEARING
10	90280-05033-00	KEY, WOODRUFF
11	93103-25108-00	OIL SEAL, SW-TYPE
12	278-17424-01-00	CIRCLIP 1
13	93103-40077-00	OIL SEAL, SW-TYPE
14	31K-11631-00-94	PISTON STD
14	31K-11635-00-00	PISTON 1 O/S 0.25
14	31K-11636-00-00	PISTON 2 O/S 0.50
15	31K-11610-00-00	1UA-11610-00-00
15	31K-11610-10-00	1UA-11610-10-00
15	31K-11610-20-00	1UA-11610-20-00
16	4L0-11633-00-00	PIN, PISTON
17	93310-316H6-00	93310-316D6-00
18	93450-17129-00	CIRCLIP, INNER

Catalog Title:
1985 RZ350N/NC/NCII

Block No.
A-8

Block Title:
WATER PUMP

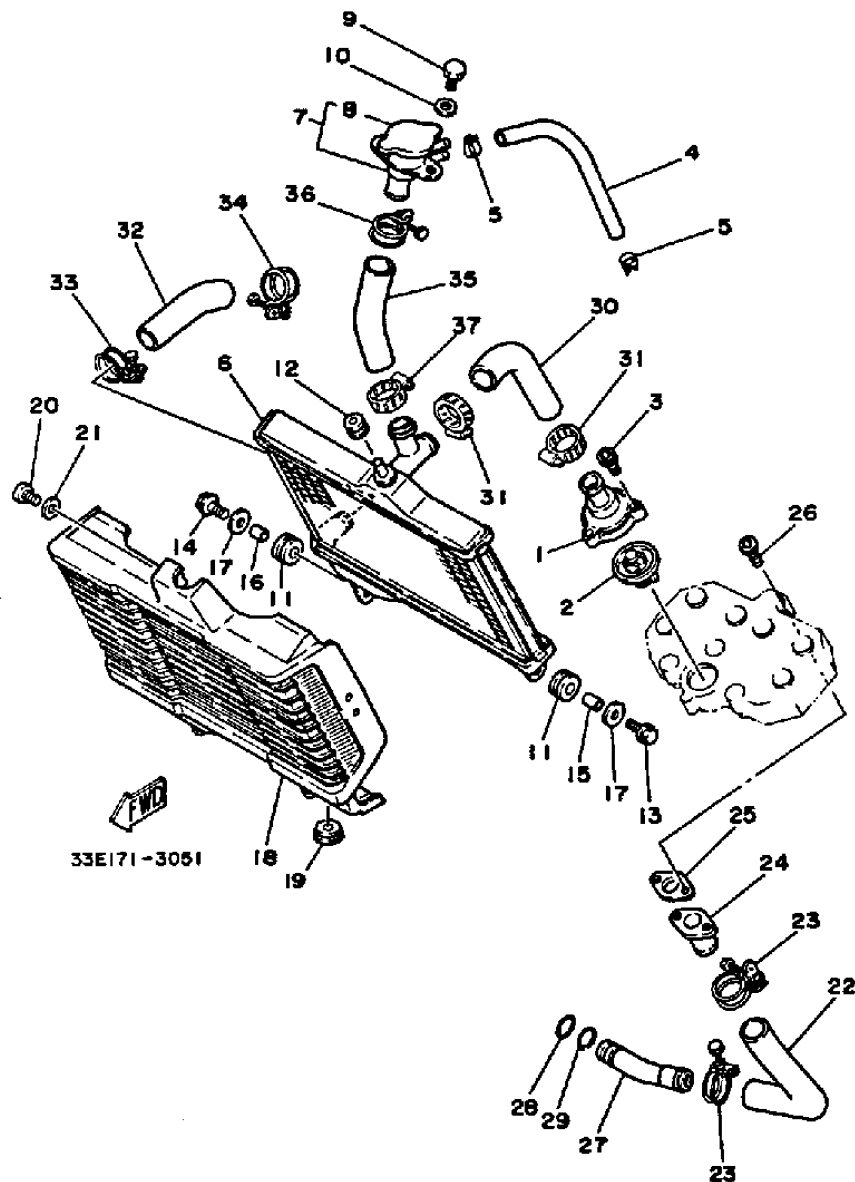
Ref. No.	Part No.	Description
1	4L0-12450-01-00	IMPELLER SHAFT ASY
2	93306-30003-00	BEARING
3	93103-10168-00	OIL SEAL, SW-TYPE
4	93603-22028-00	PIN, DOWEL
5	4L0-12459-00-00	GEAR, IMPELLER SHAF
6	99080-07600-00	CIRCLIP
7	90201-08784-00	WASHER, PLATE
8	4L0-12436-00-00	GEAR, DRIVE
9	4L0-12422-00-00	COVER, HOUSING
10	3GG-12428-00-00	GASKET, HSNG CVR 2
11	98503-06014-00	98507-06014-00



Catalog Title:
1985 RZ350N/NC/NCII

Block No.
A-9

Block Title:
RADIATOR - HOSE

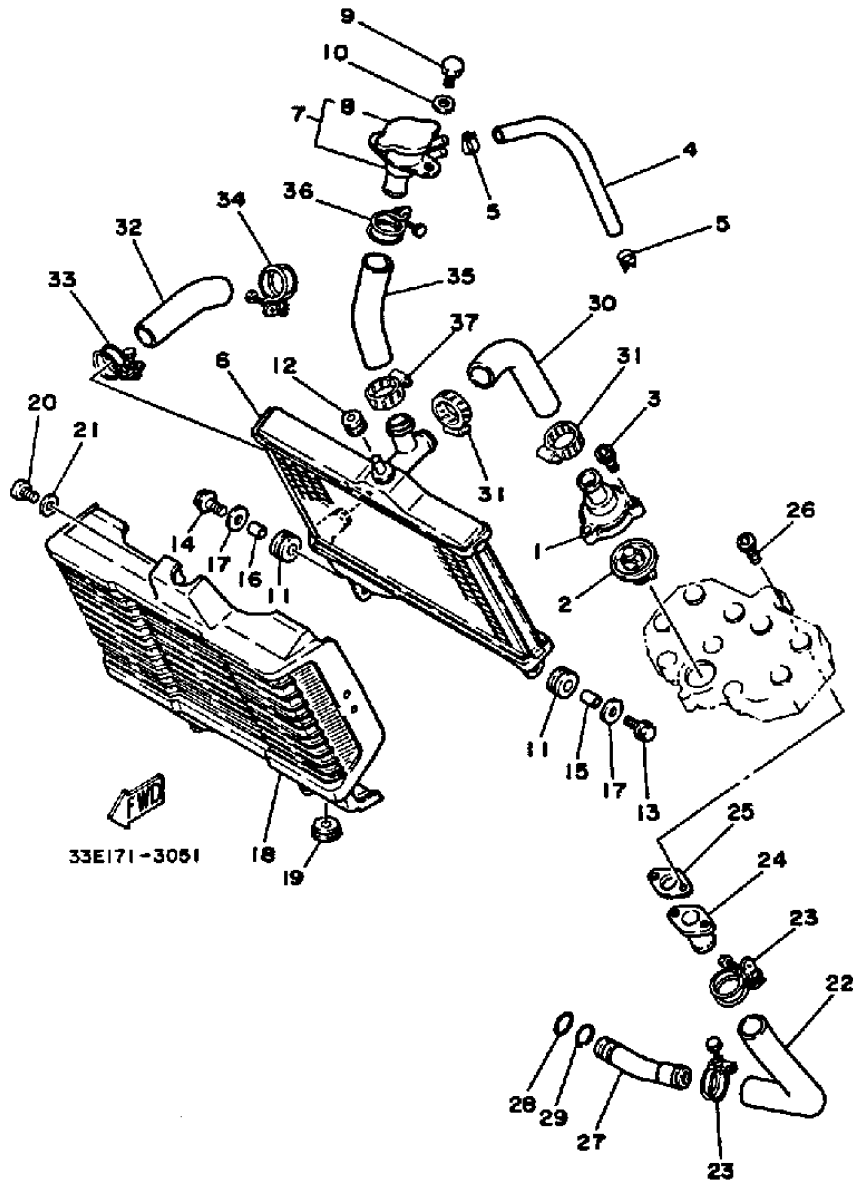


Ref. No.	Part No.	Description
1	29L-12446-01-00	JOINT
2	29L-12411-00-00	THERMOSTAT
3	91316-06020-00	91317-06020-00
4	29L-12485-00-00	PIPE 5
5	90467-13083-00	CLIP,SCISSOR
6	29L-12461-00-00	1YH-12461-00-00
7	47X-12590-01-00	CONDUCTION ASSY
8	22W-12462-00-00	» 4FL-12462-00-00
9	97313-06016-00	97095-06016-00
10	90201-06067-00	90201-06765-00
11	90480-15363-00	GROMMET
12	90480-16284-00	GROMMET
13	95816-06025-00	95817-06025-00
14	95826-06020-00	95817-06020-00
15	90387-074W0-00	90387-061V1-00
16	90387-07390-00	90387-0714B-00
17	90201-060A3-00	WASHER,PLATE
18	22L-12467-00-00	UNAVAILABLE
19	90480-12320-00	GROMMET
20	98506-06016-00	98507-06016-00
21	90201-06067-00	90201-06765-00
22	29L-12481-00-00	PIPE 1
23	90460-30158-00	CLAMP,HOSE
24	4L0-12479-00-00	JOINT
25	3XV-12435-00-00	GASKET

Catalog Title:
1985 RZ350N/NC/NCII

Block No.
A-9

Block Title:
RADIATOR - HOSE

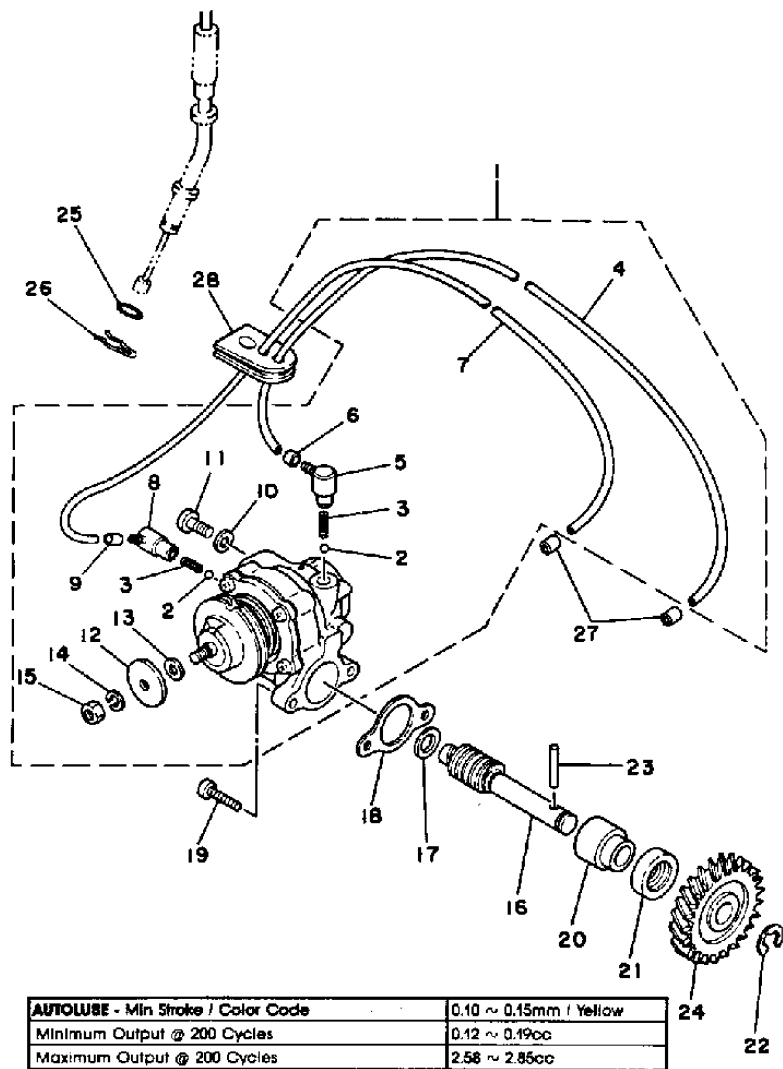


Ref. No.	Part No.	Description
26	91316-06020-00	91317-06020-00
27	29L-12469-00-00	JOINT 1
28	93210-16314-00	O-RING
29	93440-19083-00	CIRCLIP, OUTER
30	29L-12482-00-00	PIPE 2
31	90460-27219-00	CLAMP, HOSE
32	4L0-12484-00-00	PIPE 4
33	90460-30158-00	CLAMP, HOSE
34	90460-33159-00	90460-34094-00
35	29L-12483-00-00	PIPE 3
36	90460-30158-00	CLAMP, HOSE
37	90460-27219-00	CLAMP, HOSE

Catalog Title:
1985 RZ350N/NC/NCII

Block No.
A-11

Block Title:
OIL PUMP



Ref. No.	Part No.	Description
1	1UA-13101-00-00	OIL PUMP ASSY
2	93505-32002-00	» BALL 5/32
3	90501-02018-00	» SPRING, COMPRESSION
4	90445-05203-00	» 90445-05319-00
5	353-13552-01-00	» NOZZLE
6	90468-02033-00	» CLIP
7	90445-05765-00	» 90445-05242-00
8	353-13552-01-00	» NOZZLE
9	90468-02033-00	» CLIP
10	90430-04004-00	» GASKET
11	98901-04008-00	» 98980-04008-00
12	137-13138-01-00	» PLATE, ADJUSTING
13	137-13137-00-03	» SHIM, PLUNGER
13	137-13137-00-05	» SHIM, PLUNGER
13	137-13137-00-10	» SHIM, PLUNGER
14	92990-05100-00	» WASHER, SPRING
15	95380-05600-00	» NUT
16	4L0-13175-02-00	SHAFT, WORM
17	90201-08624-00	WASHER, PLATE
18	3MT-13116-00-00	126-13116-01-00
19	98580-05016-00	97885-05016-00
20	1E7-13176-00-00	137-13176-00-00
21	93101-10002-00	OIL SEAL, S-TYPE
22	93430-08036-00	93430-08007-00
23	93603-22028-00	PIN, DOWEL



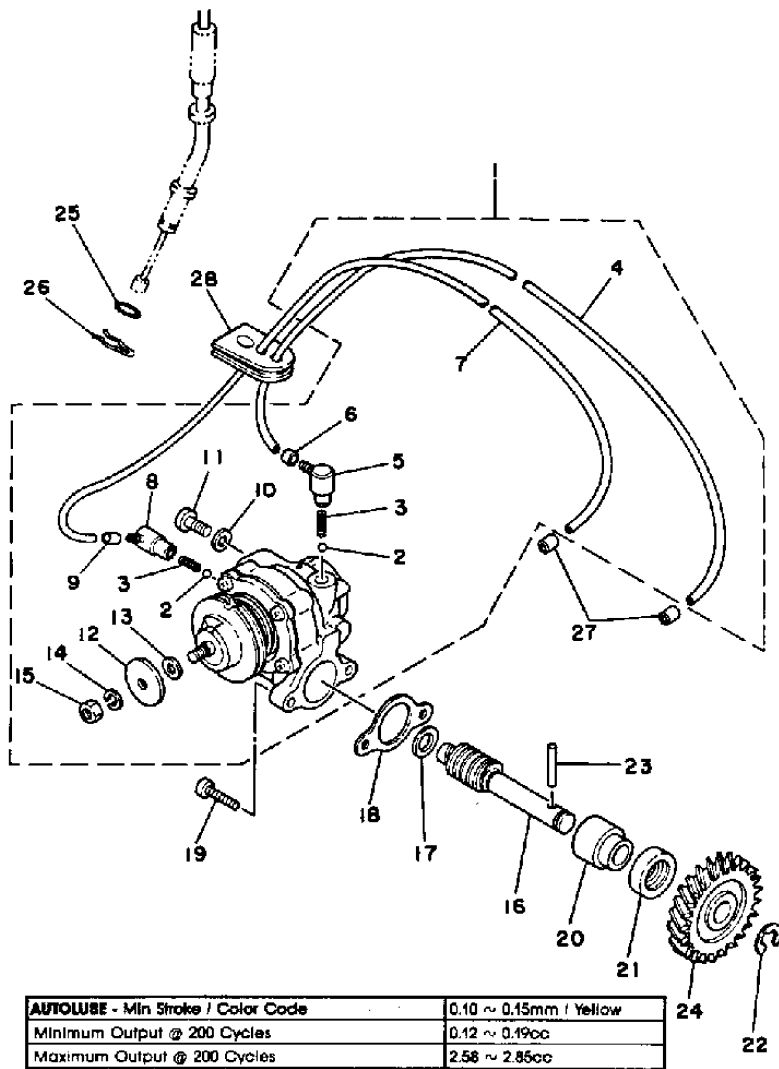
29L010 - 3060

Catalog Title:
1985 RZ350N/NC/NCII

Block No.
A-11

Block Title:
OIL PUMP

Ref. No.	Part No.	Description
24	4L0-13178-00-00	GEAR, PUMP DRIVE
25	93210-07100-00	O-RING
26	90468-08086-00	CLIP
27	90468-02033-00	CLIP
28	4L0-13174-00-00	HOLDER, OIL PIPE

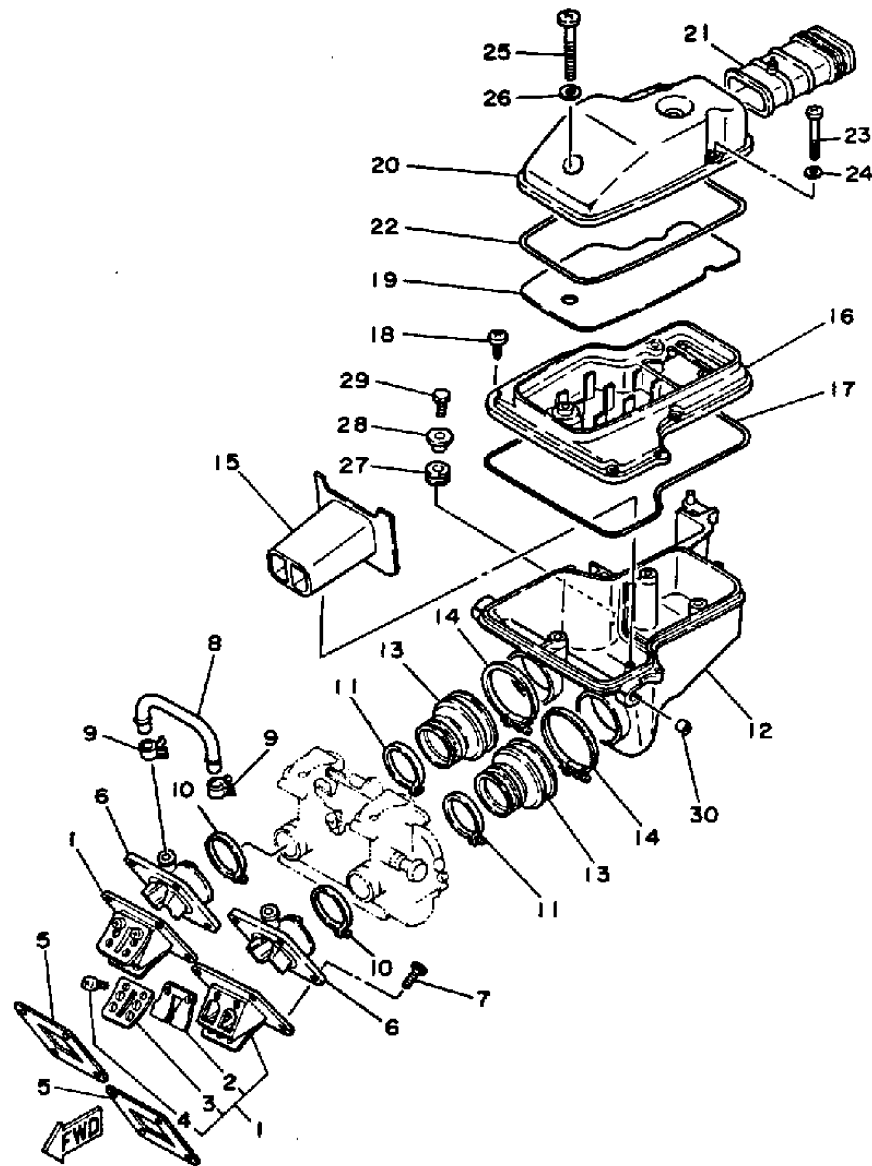


29L010 - 3060

Catalog Title:
1985 RZ350N/NC/NCII

Block No.
A-12

Block Title:
AIR FILTER



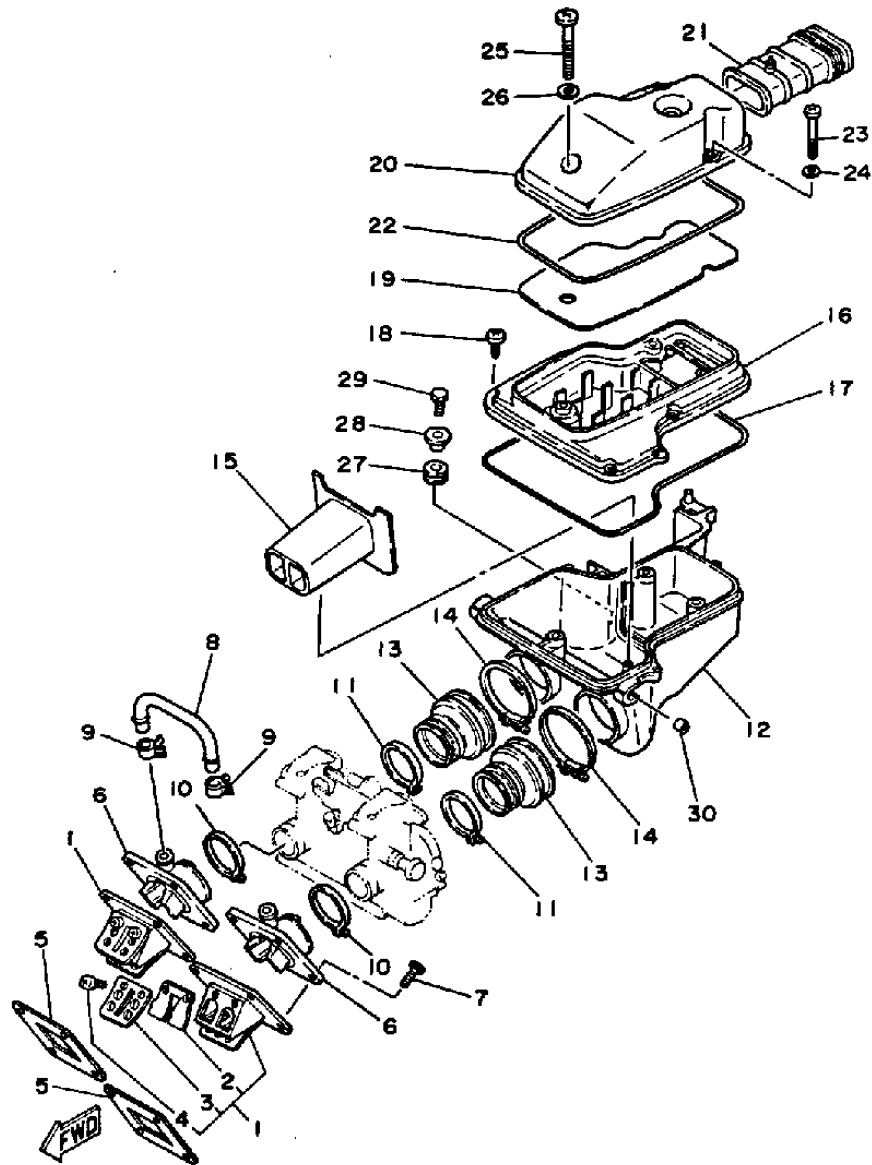
48H110-4060

Ref. No.	Part No.	Description
1	1UA-13610-00-00	REED VALVE ASY.
2	10V-13613-01-00	» REED, VALVE
3	1UA-13616-00-00	» STOPPER REED VALVE
4	98580-03008-00	» SCREW, PAN HEAD
5	31K-13621-00-00	3GG-13621-00-00
6	31K-13565-01-00	JOINT, CARBURETOR
7	91316-06025-00	91317-06025-00
8	48H-14465-00-00	PIPE
9	90467-20085-00	CLIP, SCISSOR
10	90450-44046-00	HOSE CLAMP ASSY
11	90460-49058-00	CLAMP, HOSE
12	51L-14411-00-00	CASE, AIR CLEANER 1
13	29L-14453-01-00	JOINT, AIR CLEANER
14	90460-68230-00	CLAMP, HOSE
15	29L-1441F-00-00	PARTN, AIR CLNR CS
16	29L-14421-00-00	CASE, AIR CLEANER 2
17	1VJ-14462-00-00	SEAL
18	97780-50125-00	SCREW, TAPPING
19	29L-14451-00-00	ELEMENT, AIR CLNR
20	29L-14412-00-00	CAP, CLEANER CASE 1
21	29L-14437-00-00	DUCT
22	1VJ-14462-00-00	SEAL
23	98580-06055-00	98580-06555-00
24	90201-061A5-00	WASHER, PLATE
25	98501-06075-00	98580-06575-00

Catalog Title:
1985 RZ350N/NC/NCII

Block No.
A-12

Block Title:
AIR FILTER



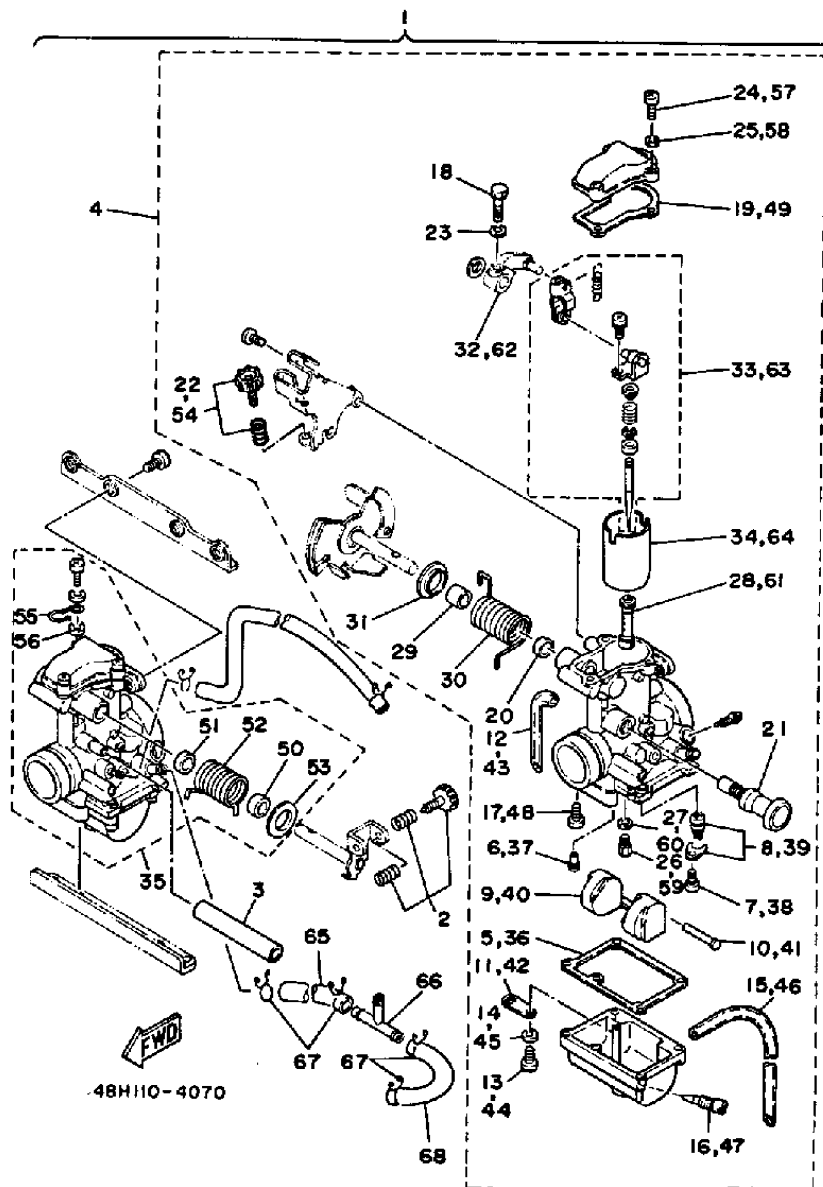
48H110-4060

Ref. No.	Part No.	Description
26	90201-061A5-00	WASHER, PLATE
27	90480-16233-00	GROMMET
28	90387-07037-00	COLLAR
29	97001-06018-00	97017-06020-00
30	90445-12718-00	DISCONTINUED

Catalog Title:
1985 RZ350N/NC/NCII

Block No.
B-1

Block Title:
CARBURETOR RZ350N

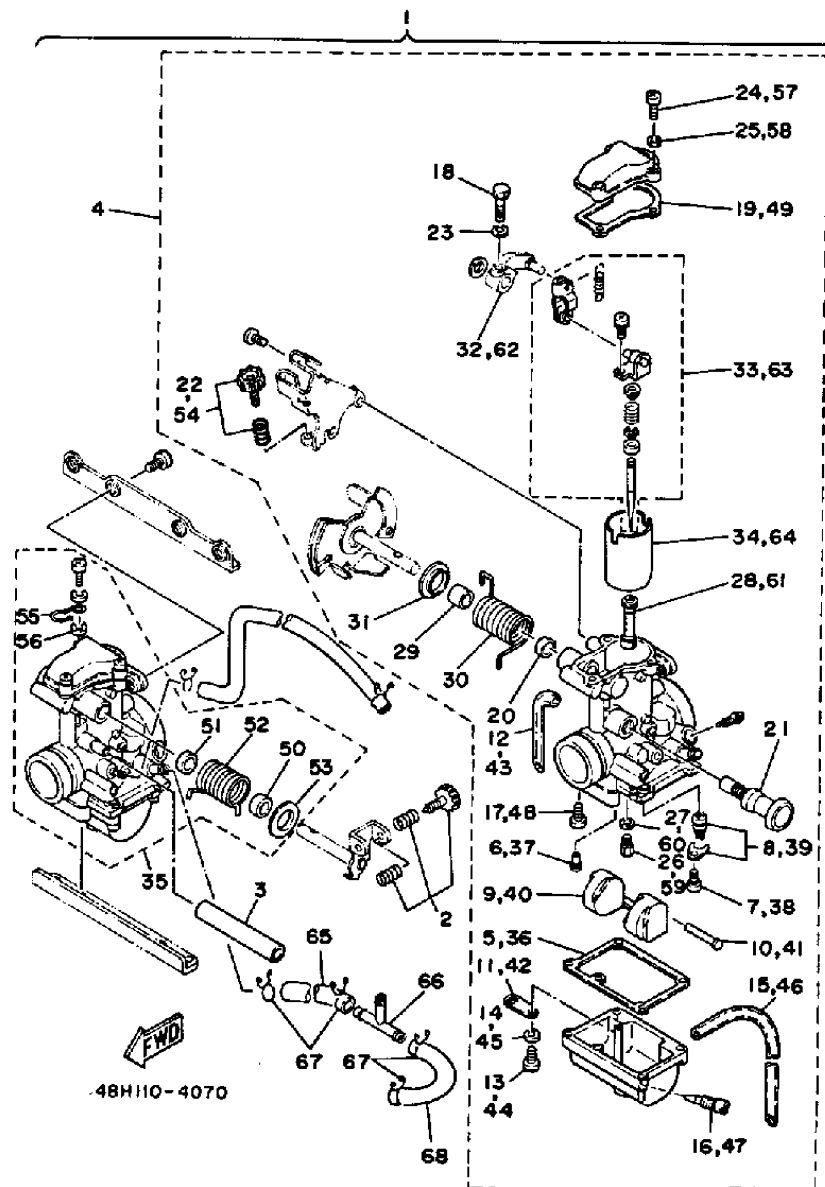


Ref. No.	Part No.	Description
1	48H-14100-00-00	UNAVAILABLE
2	48H-1490K-00-00	» STOP SCREW SET
3	48H-14987-00-00	UNAVAILABLE
4	48H-14101-00-00	» CARBURETOR ASY 1
5	304-14184-00-00	» » GASKET,FLOAT CHMBR
6	260-14142-20-A0	» » JET,PILOT #20.
7	98580-04008-00	» » SCREW,PAN HEAD
8	48H-14107-28-00	» » NEEDLE VALVE SET
9	4L0-14185-00-00	» » FLOAT
10	537-14186-00-00	» » PIN,FLOAT
11	500-14146-00-00	» » PLATE
12	4L0-14197-00-00	» » PIPE,AIRVENT
13	98511-04016-00	» » 98517-04016-00
14	92901-04600-00	» » 92990-04600-00
15	4L0-14196-00-00	» » PIPE,OVERFLOW
16	12R-14191-00-00	» » PLUG,DRAIN
17	98580-05010-00	» » 97885-05010-00
18	583-14592-00-00	» » SCREW
19	48H-14536-00-00	» » GASKET
20	256-14997-00-00	» » SEAL
21	4U5-14171-00-00	» » PLUNGER,STARTER
22	41V-14103-00-00	» » THROTTLE SCREW SET
23	92901-04600-00	» » 92990-04600-00
24	98503-04014-00	» » 98504-04014-00
25	92901-04600-00	» » 92990-04600-00

Catalog Title:
1985 RZ350N/NC/NCII

Block No.
B-1

Block Title:
CARBURETOR RZ350N

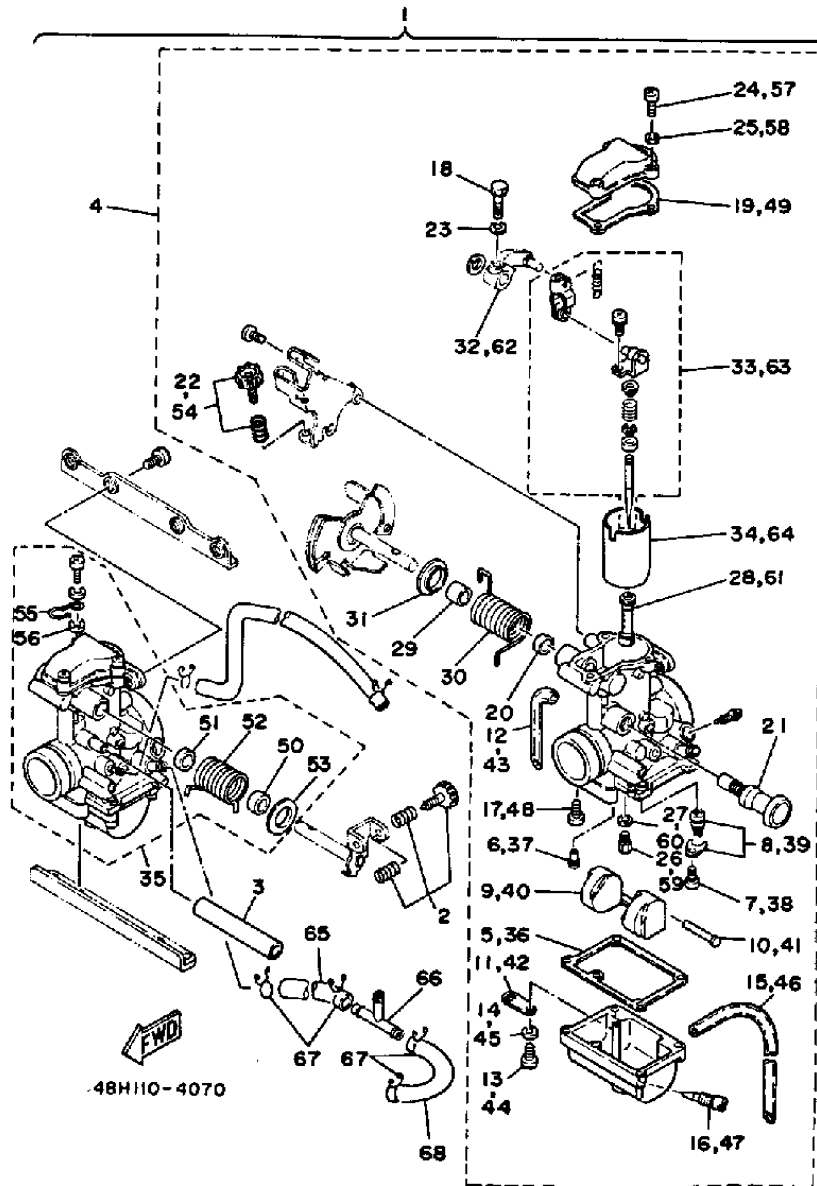


Ref. No.	Part No.	Description
26	137-14143-46-A1	» » JET,MAIN #230
27	137-14153-00-00	» » WASHER,MAIN JET
28	4L1-14141-38-00	» » NOZZLE,MAIN
29	26H-14194-00-00	UNAVAILABLE
30	48H-14931-00-00	» » SPRING,THRTL LEVER
31	1A8-14953-00-00	» » WASHER
32	48H-14292-00-00	UNAVAILABLE
33	48H-1490J-00-00	» » DISCONTINUED
34	48H-14112-20-00	» » DISCONTINUED
35	48H-14102-00-00	» » DISCONTINUED
36	304-14184-00-00	» » GASKET,FLOAT CHMBR
37	260-14142-20-A0	» » JET,PILOT #20.
38	98580-04008-00	» » SCREW,PAN HEAD
39	48H-14107-28-00	» » NEEDLE VALVE SET
40	4L0-14185-00-00	» » FLOAT
41	537-14186-00-00	» » PIN,FLOAT
42	500-14146-00-00	» » PLATE
43	4L0-14197-00-00	» » PIPE,AIRVENT
44	98511-04016-00	» » 98517-04016-00
45	92901-04600-00	» » 92990-04600-00
46		
47	4L0-14196-00-00	» » PIPE,OVERFLOW
48	12R-14191-00-00	» » PLUG,DRAIN
49	583-14592-00-00	» » SCREW
50	48H-14536-00-00	» » GASKET
	584-14918-00-00	UNAVAILABLE

Catalog Title:
1985 RZ350N/NC/NCII

Block No.
B-1

Block Title:
CARBURETOR RZ350N

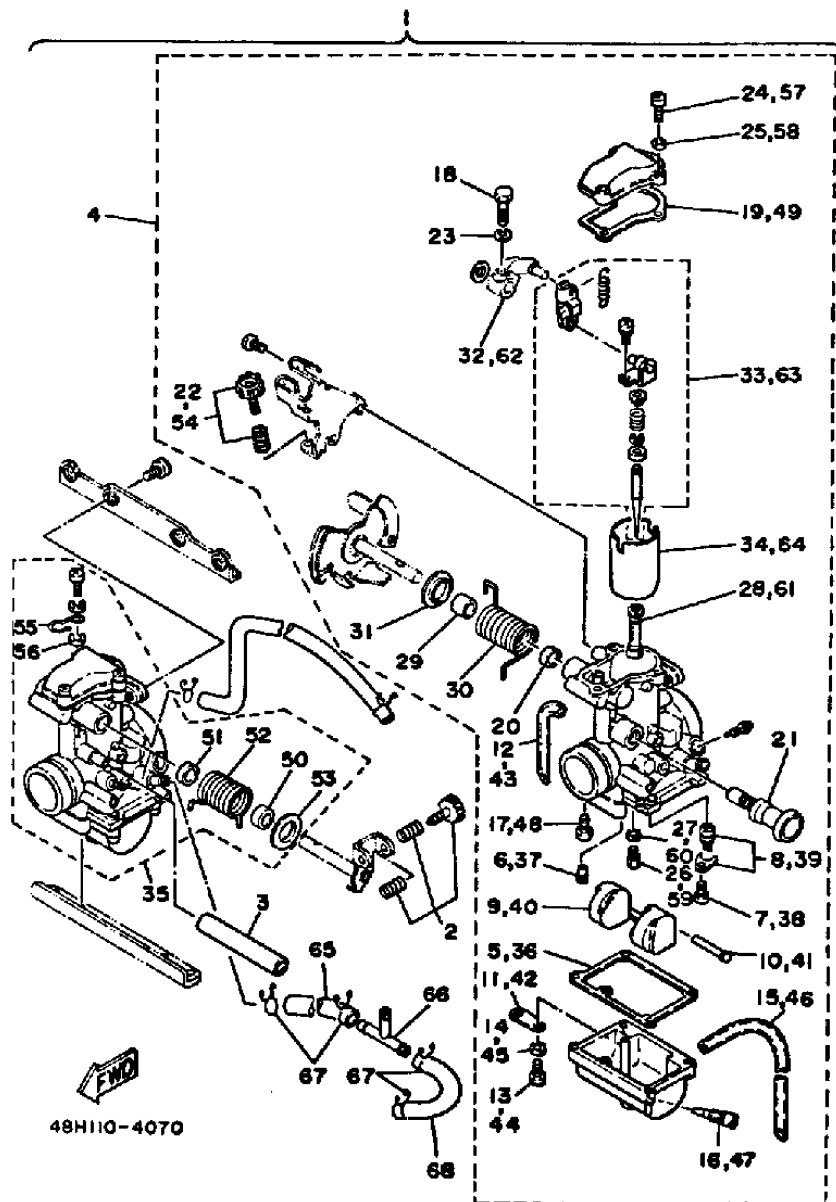


Ref. No.	Part No.	Description
51	256-14997-00-00	» » SEAL
52	48H-14932-00-00	UNAVAILABLE
53	341-14954-00-00	» » WASHER
54	41V-14103-00-00	» » THROTTLE SCREW SET
55	48H-14139-00-00	UNAVAILABLE
56	92901-04600-00	» » 92990-04600-00
57	98503-04014-00	» » 98504-04014-00
58	92901-04600-00	» » 92990-04600-00
59	137-14143-46-A1	» » JET,MAIN #230
60	137-14153-00-00	» » WASHER,MAIN JET
61	4L1-14141-38-00	» » NOZZLE,MAIN
62	48H-14292-00-00	UNAVAILABLE
63	48H-1490J-00-00	» » DISCONTINUED
64	48H-14112-20-00	» » DISCONTINUED
65	48H-24311-00-00	PIPE,FUEL 1
66	90413-07007-00	WAY,3
67	90467-10008-00	CLIP,SCISSOR
68	90445-11626-00	90445-11501-00

Catalog Title:
1985 RZ350N/NC/NCII

Block No.
B-4

Block Title:
CARBURETOR RZ350NC/NC II

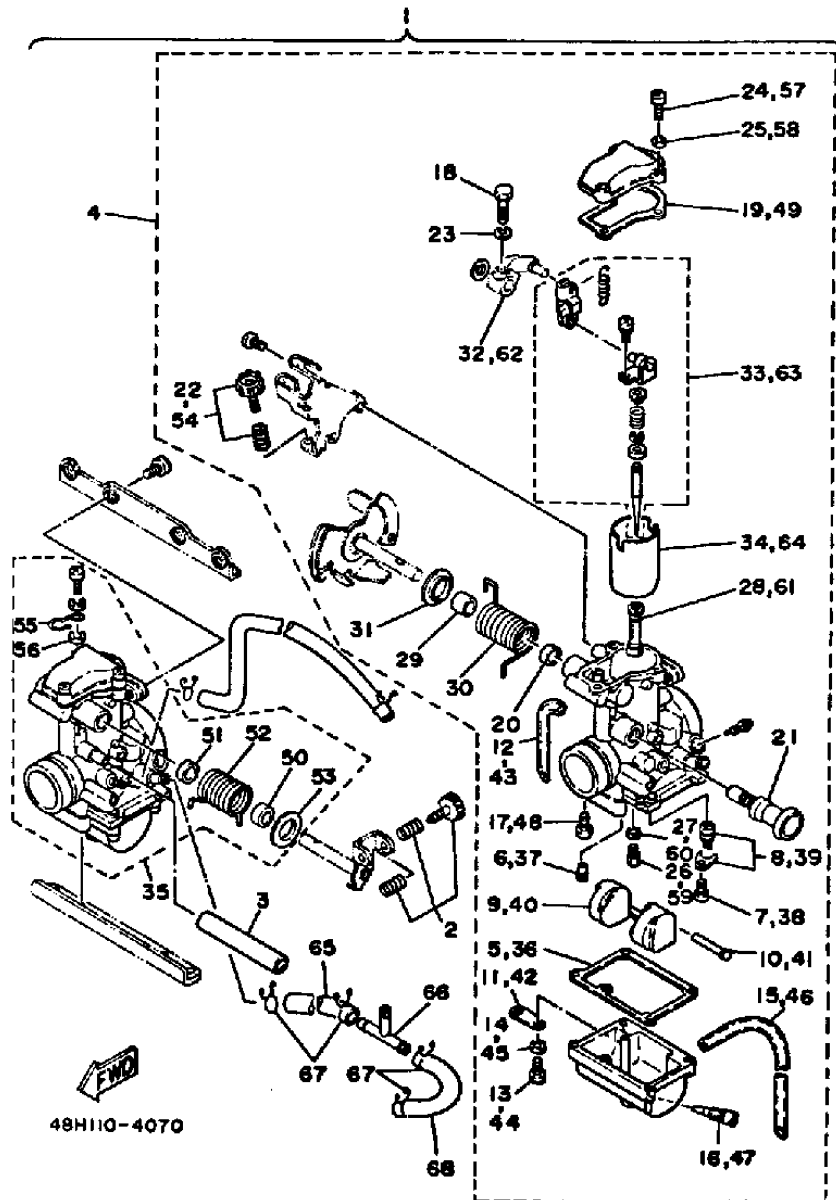


Ref. No.	Part No.	Description
1	1EL-14100-00-00	UNAVAILABLE
2	48H-1490K-00-00	» STOP SCREW SET
3	48H-14987-00-00	UNAVAILABLE
4	1EL-14101-00-00	UNAVAILABLE
5	304-14184-00-00	» » GASKET,FLOAT CHMBR
6	260-14142-20-A0	» » JET,PILOT #20.
7	98580-04008-00	» » SCREW,PAN HEAD
8	48H-14107-28-00	» » NEEDLE VALVE SET
9	4L0-14185-00-00	» » FLOAT
10	537-14186-00-00	» » PIN,FLOAT
11	500-14146-00-00	» » PLATE
12	4L0-14197-00-00	» » PIPE,AIRVENT
13	98511-04016-00	» » 98517-04016-00
14	92901-04600-00	» » 92990-04600-00
15	4L0-14196-00-00	» » PIPE,OVERFLOW
16	12R-14191-00-00	» » PLUG,DRAIN
17	98580-05010-00	» » 97885-05010-00
18	583-14592-00-00	» » SCREW
19	48H-14536-00-00	» » GASKET
20	256-14997-00-00	» » SEAL
21	4U5-14171-00-00	» » PLUNGER,STARTER
22	41V-14103-00-00	» » THROTTLE SCREW SET
23	92901-04600-00	» » 92990-04600-00
24	98503-04014-00	» » 98504-04014-00
25	92901-04600-00	» » 92990-04600-00

Catalog Title:
1985 RZ350N/NC/NCII

Block No.
B-4

Block Title:
CARBURETOR RZ350NC/NC II

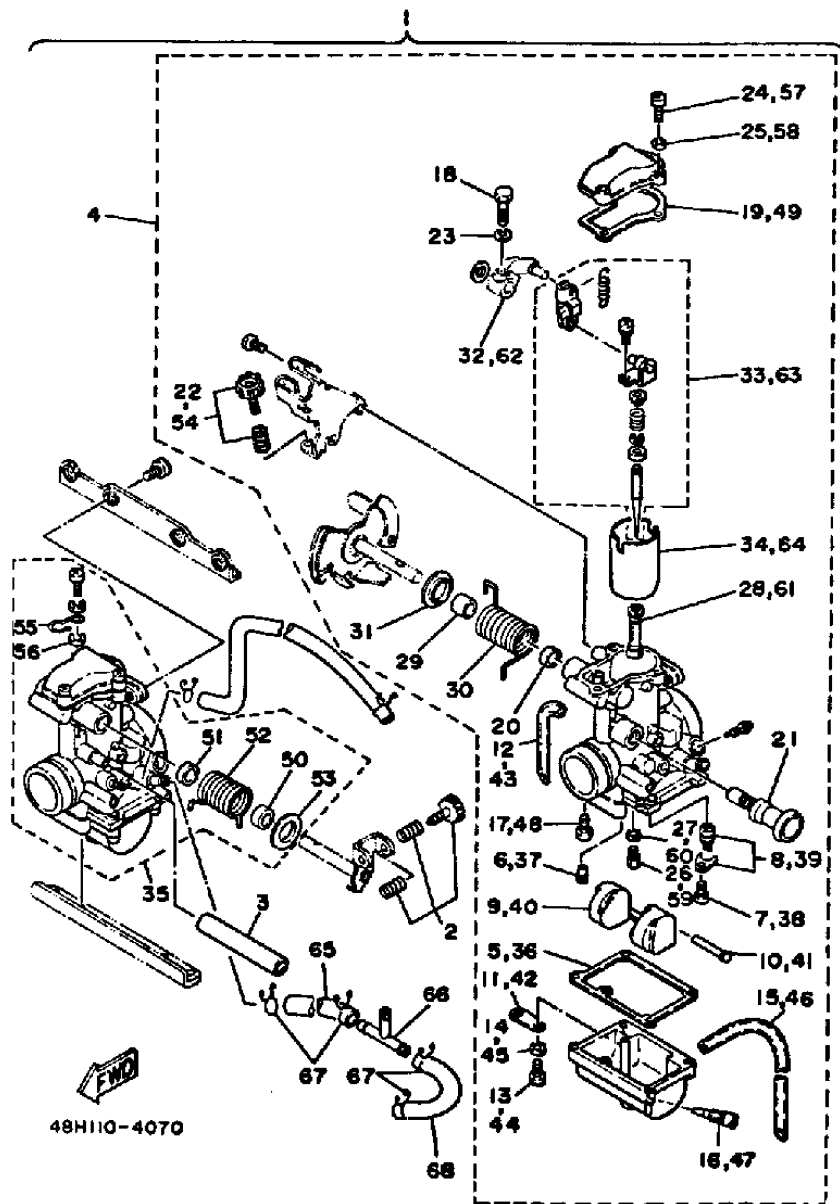


Ref. No.	Part No.	Description
26	137-14143-46-A1	» » JET,MAIN #230
27	137-14153-00-00	» » WASHER,MAIN JET
28	4L1-14141-38-00	» » NOZZLE,MAIN
29	26H-14194-00-00	UNAVAILABLE
30	48H-14931-00-00	» » SPRING,THRTL LEVER
31	1A8-14953-00-00	» » WASHER
32	48H-14292-00-00	UNAVAILABLE
33	48H-1490J-00-00	» » DISCONTINUED
34	48H-14112-20-00	» » DISCONTINUED
35	1EL-14102-00-00	UNAVAILABLE
36	304-14184-00-00	» » GASKET,FLOAT CHMBR
37	260-14142-20-A0	» » JET,PILOT #20.
38	98580-04008-00	» » SCREW,PAN HEAD
39	48H-14107-28-00	» » NEEDLE VALVE SET
40	4L0-14185-00-00	» » FLOAT
41	537-14186-00-00	» » PIN,FLOAT
42	500-14146-00-00	» » PLATE
43	4L0-14197-00-00	» » PIPE,AIRVENT
44	98511-04016-00	» » 98517-04016-00
45	92901-04600-00	» » 92990-04600-00
46	4L0-14196-00-00	» » PIPE,OVERFLOW
47	12R-14191-00-00	» » PLUG,DRAIN
48	583-14592-00-00	» » SCREW
49	48H-14536-00-00	» » GASKET
50	584-14918-00-00	UNAVAILABLE

Catalog Title:
1985 RZ350N/NC/NCII

Block No.
B-4

Block Title:
CARBURETOR RZ350NC/NC II

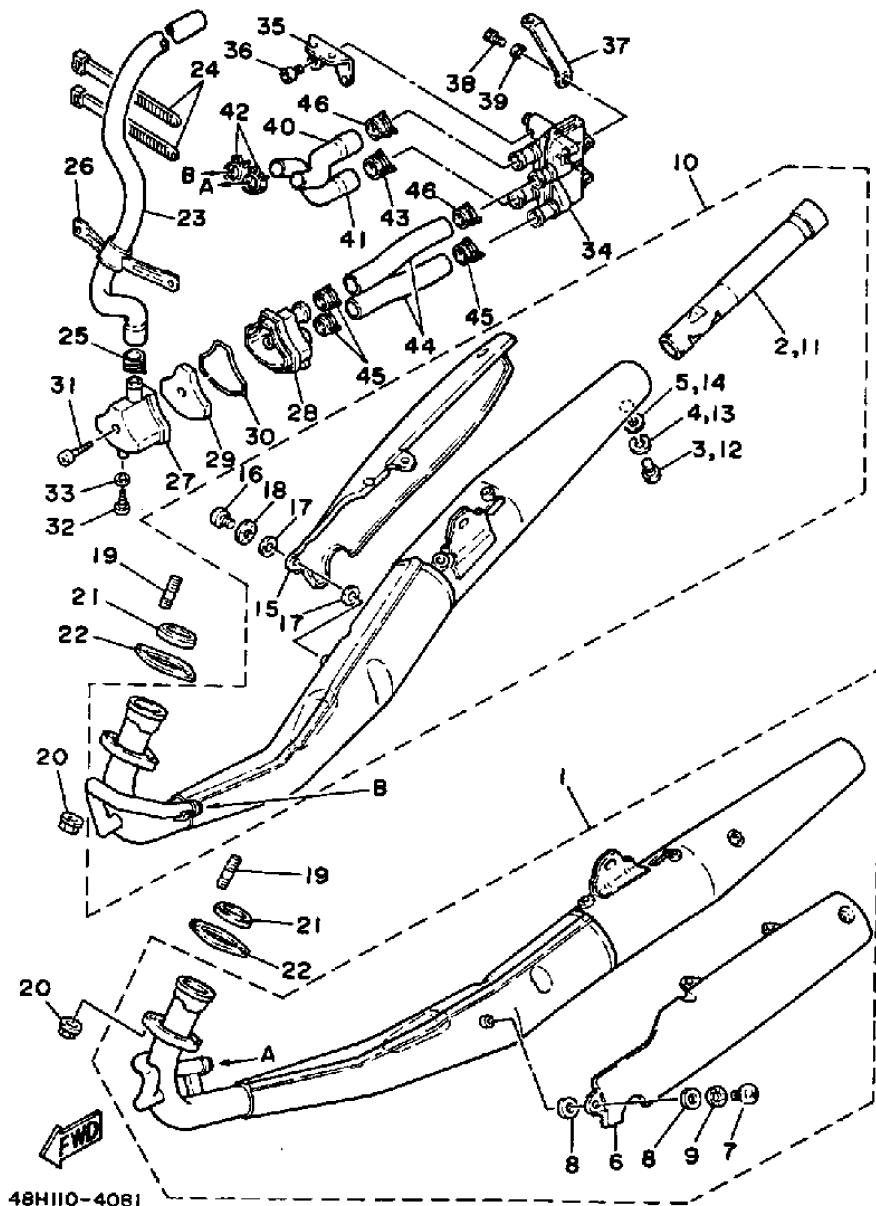


Ref. No.	Part No.	Description
51	256-14997-00-00	» » SEAL
52	48H-14932-00-00	UNAVAILABLE
53	341-14954-00-00	» » WASHER
54	41V-14103-00-00	» » THROTTLE SCREW SET
55	48H-14139-00-00	UNAVAILABLE
56	92901-04600-00	» » 92990-04600-00
57	98503-04014-00	» » 98504-04014-00
58	92901-04600-00	» » 92990-04600-00
59	137-14143-46-A1	» » JET,MAIN #230
60	137-14153-00-00	» » WASHER,MAIN JET
61	4L1-14141-38-00	» » NOZZLE,MAIN
62	48H-14292-00-00	UNAVAILABLE
63	48H-1490J-00-00	» » DISCONTINUED
64	48H-14112-20-00	» » DISCONTINUED
65	48H-24311-00-00	PIPE,FUEL 1
66	90413-07007-00	WAY,3
67	90467-10008-00	CLIP,SCISSOR
68	90445-11626-00	90445-11501-00

Catalog Title:
1985 RZ350N/NC/NCII

Block No.
B-7

Block Title:
EXHAUST RZ350N



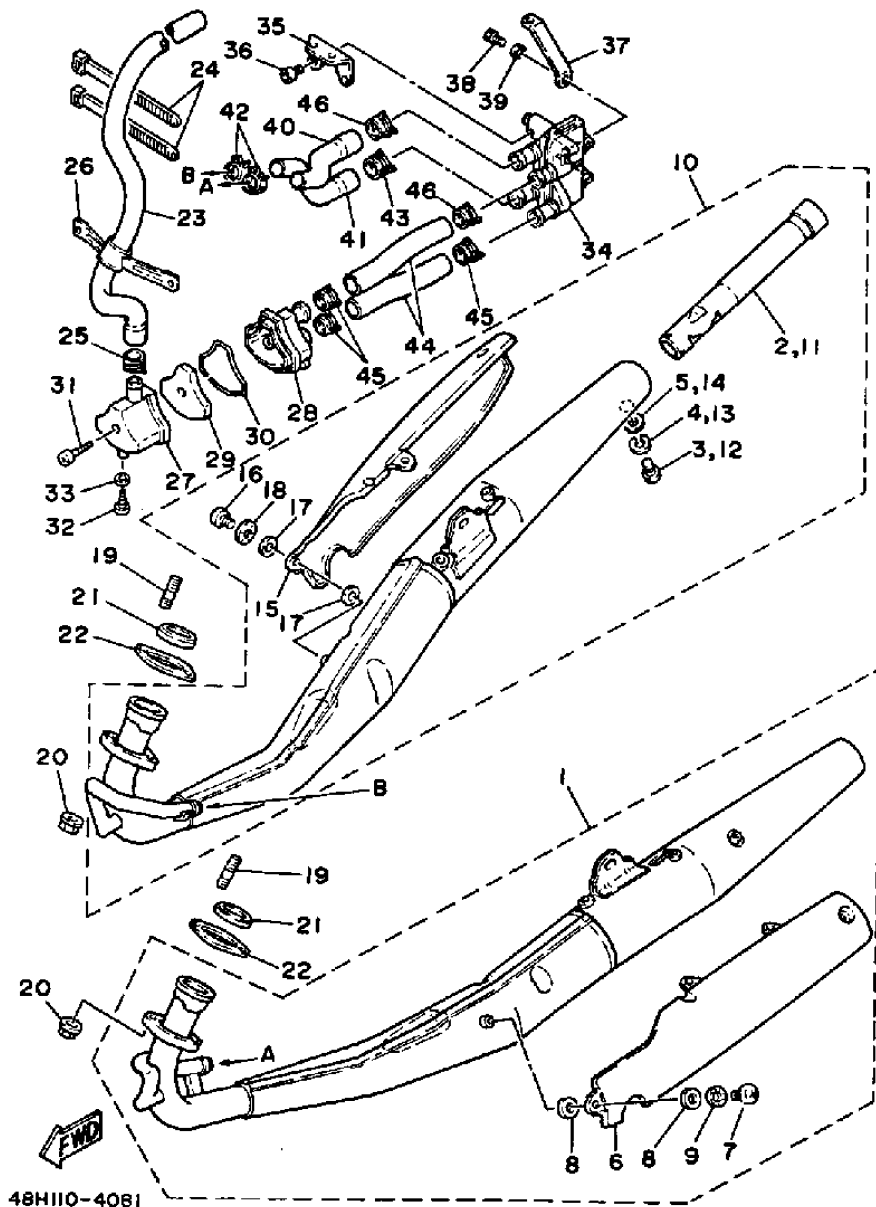
48H110-4081

Ref. No.	Part No.	Description
1	48H-14710-00-00	DISCONTINUED
2	48H-14753-01-00	» SILENCER,EXHAUST
3	98580-06010-00	» SCREW,PAN HEAD
4	92995-06100-00	» WASHER
5	90201-061A5-00	» WASHER,PLATE
6	48H-W1473-00-00	» DISCONTINUED
7	98906-06008-00	» 98907-06008-00
8	90202-05187-00	» WASHER,PLATE
9	90206-06090-00	» WASHER, WAVE
10	48H-14720-00-00	DISCONTINUED
11	48H-14753-01-00	» SILENCER,EXHAUST
12	98580-06010-00	» SCREW,PAN HEAD
13	92995-06100-00	» WASHER
14	90201-061A5-00	» WASHER,PLATE
15	48H-W1474-00-00	» PROTECTOR,MUFFLR.2
16	98906-06008-00	» 98907-06008-00
17	90202-05187-00	» WASHER,PLATE
18	90206-06090-00	» WASHER, WAVE
19	90116-08365-00	BOLT,STUD
20	90185-08097-00	90185-08146-00
21	29L-14613-00-00	GASKET,EXST PIPE
22	29L-14643-00-00	29L-14643-10-00
23	48H-14885-00-00	DISCONTINUED
24	437-83936-11-00	BAND,SWITCH CORD
25	90467-23059-00	CLIP,SCISSOR

Catalog Title:
1985 RZ350N/NC/NCII

Block No.
B-7

Block Title:
EXHAUST RZ350N



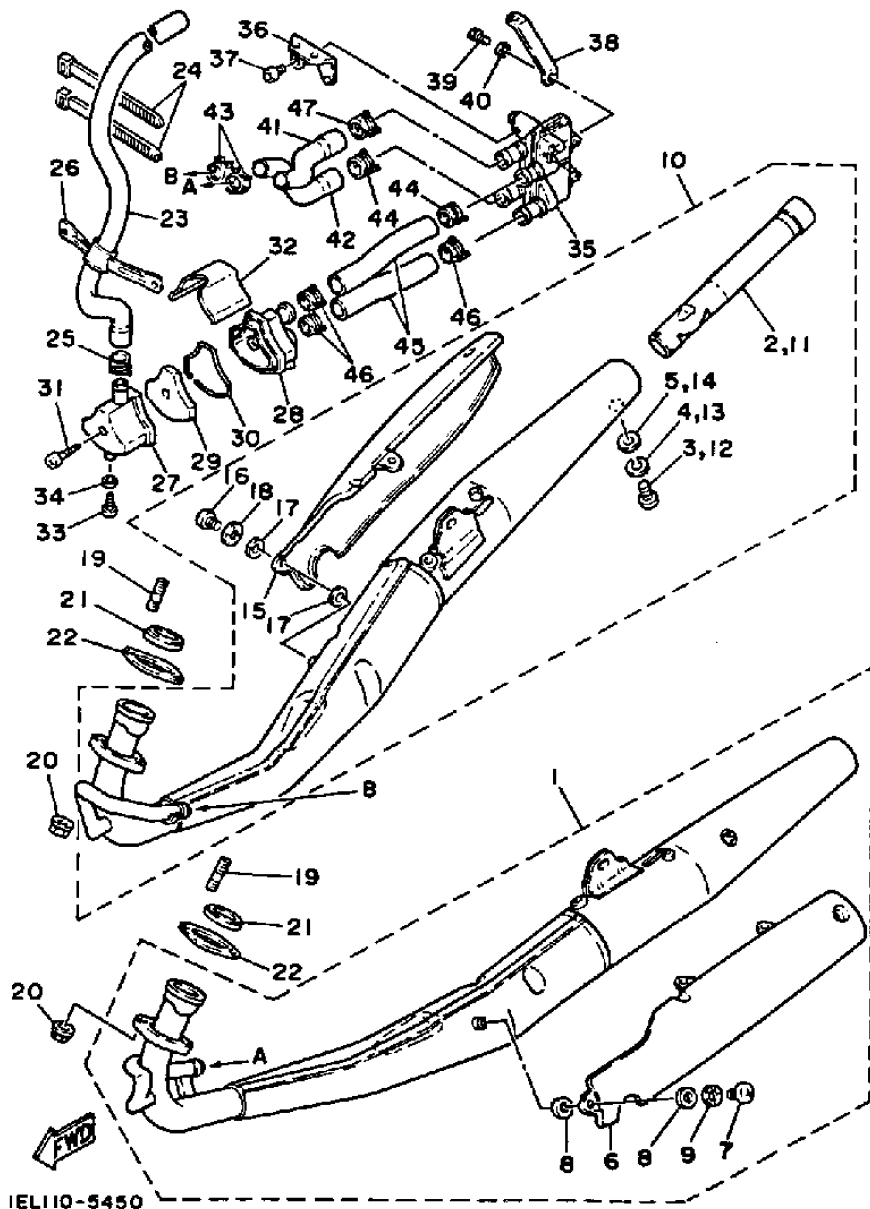
48H110-4081

Ref. No.	Part No.	Description
26	48H-14834-00-00	UNAVAILABLE
27	48H-14857-00-00	DISCONTINUED
28	48H-14858-00-00	CAP, CASE
29	48H-14827-00-00	DISCONTINUED
30	48H-14859-00-00	SEAL, CAP
31	97702-50540-00	97780-50140-00 SCREW,TAPPING
32	97780-50125-00	SCREW,TAPPING
33	92990-05200-00	WASHER
34	48H-14808-00-00	UNAVAILABLE
35	48H-14867-00-00	BRACKET
36	91316-06014-00	91317-06014-00
37	48H-14868-00-00	DISCONTINUED
38	97021-06030-00	97017-06030-00
39	92990-06600-00	WASHER
40	48H-14881-00-00	UNAVAILABLE
41	48H-14882-00-00	UNAVAILABLE
42	90467-20085-00	CLIP,SCISSOR
43	90467-23059-00	CLIP,SCISSOR
44	48H-14883-00-00	DISCONTINUED
45	90467-23059-00	CLIP,SCISSOR
46	90460-28243-00	CLAMP,HOSE

Catalog Title:
1985 RZ350N/NC/NCII

Block No.
B-9

Block Title:
EXHAUST RZ350NC

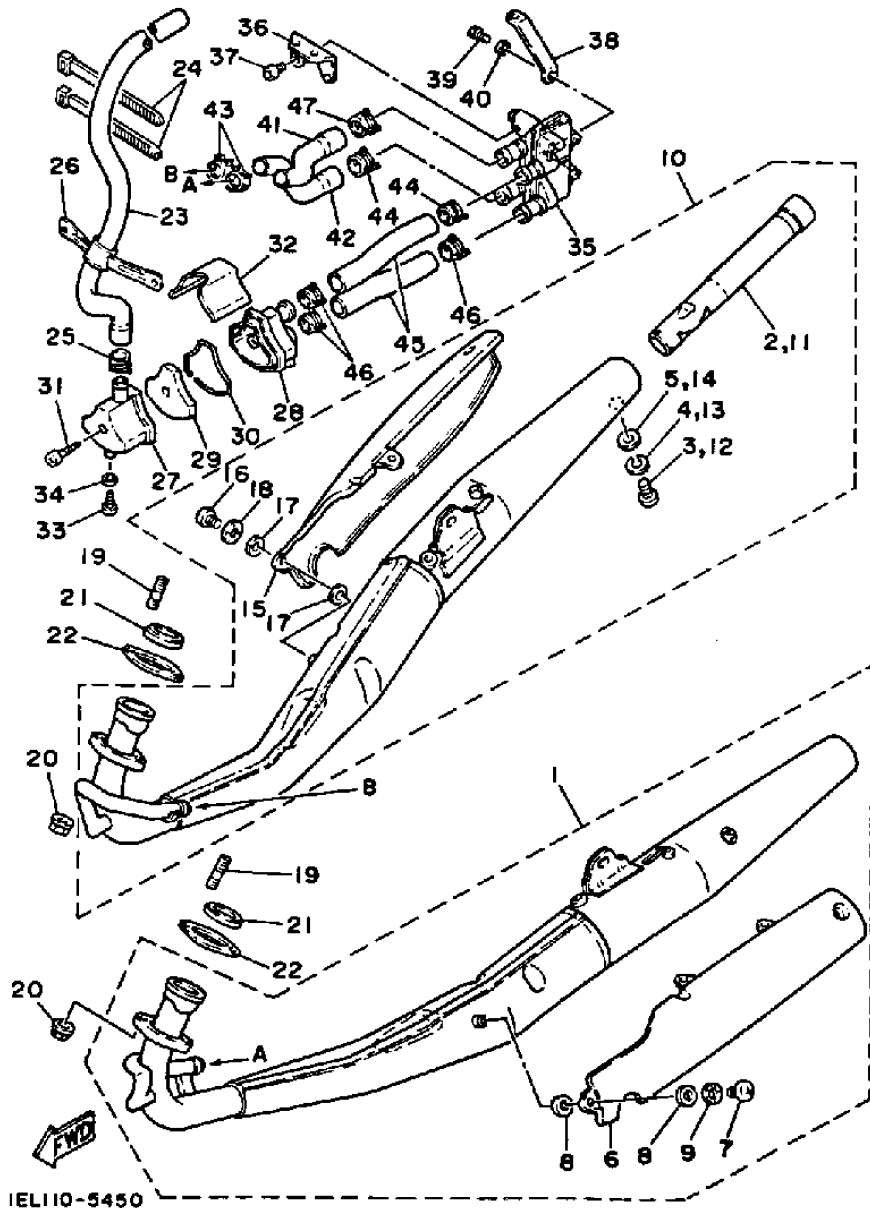


Ref. No.	Part No.	Description
1	1EL-14710-00-00	UNAVAILABLE
2	48H-14753-01-00	» SILENCER,EXHAUST
3	98580-06010-00	» SCREW,PAN HEAD
4	92995-06100-00	» WASHER
5	90201-061A5-00	» WASHER,PLATE
6	48H-W1473-00-00	» DISCONTINUED
7	98906-06008-00	» 98907-06008-00
8	90202-05187-00	» WASHER,PLATE
9	90206-06090-00	» WASHER, WAVE
10	1EL-14720-00-00	UNAVAILABLE
11	48H-14753-01-00	» SILENCER,EXHAUST
12	98580-06010-00	» SCREW,PAN HEAD
13	92995-06100-00	» WASHER
14	90201-061A5-00	» WASHER,PLATE
15	48H-W1474-00-00	» PROTECTOR,MUFFLR.2
16	98906-06008-00	» 98907-06008-00
17	90202-05187-00	» WASHER,PLATE
18	90206-06090-00	» WASHER, WAVE
19	90116-08365-00	BOLT,STUD
20	90185-08097-00	90185-08146-00
21	29L-14613-00-00	GASKET,EXST PIPE
22	29L-14643-00-00	29L-14643-10-00
23	48H-14885-00-00	DISCONTINUED
24	437-83936-11-00	BAND,SWITCH CORD
25	90467-23059-00	CLIP,SCISSOR

Catalog Title:
1985 RZ350N/NC/NCII

Block No.
B-9

Block Title:
EXHAUST RZ350NC

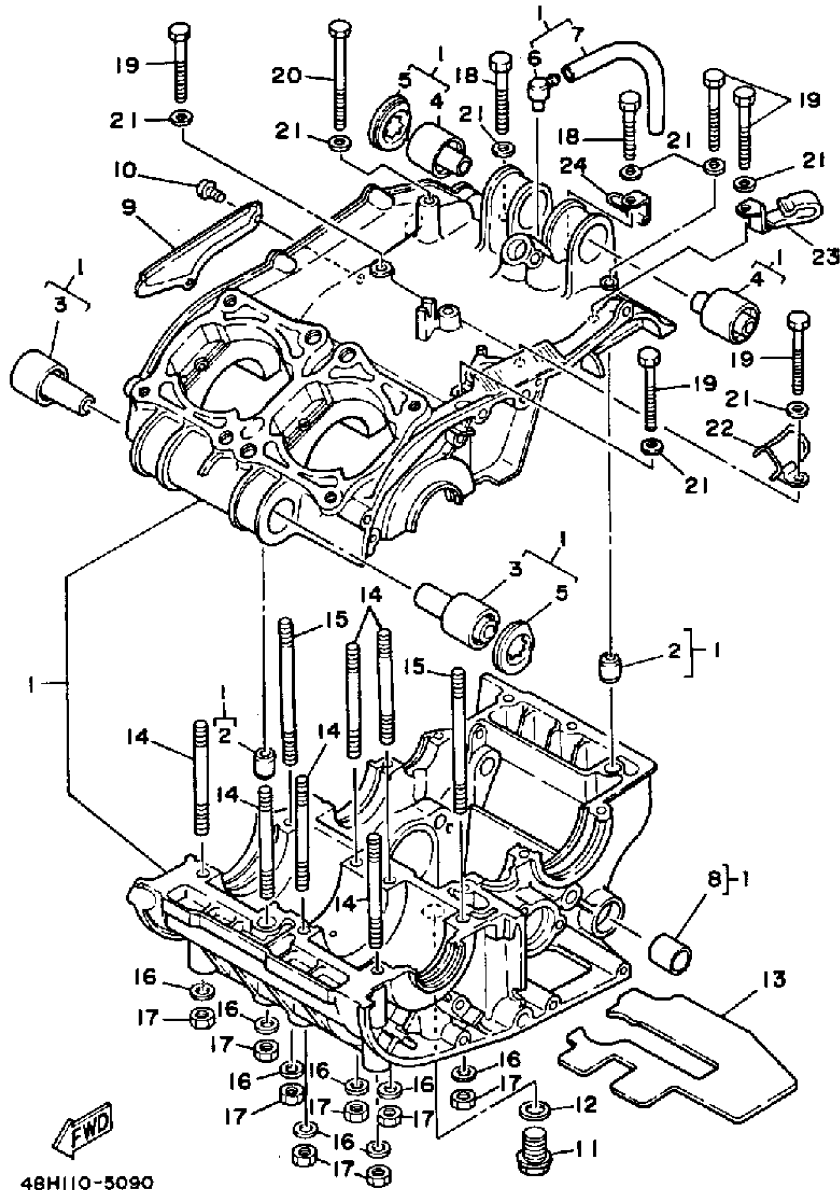


Ref. No.	Part No.	Description
26	48H-14834-00-00	UNAVAILABLE
27	48H-14857-00-00	DISCONTINUED
28	48H-14858-00-00	CAP, CASE
29	48H-14827-00-00	DISCONTINUED
30	48H-14859-00-00	SEAL, CAP
31	97702-50540-00	97780-50140-00
32	1EL-1477K-00-00	UNAVAILABLE
33	97780-50125-00	SCREW, TAPPING
34	92990-05200-00	WASHER
35	48H-14808-00-00	UNAVAILABLE
36	48H-14867-00-00	BRACKET
37	91316-06014-00	91317-06014-00
38	48H-14868-00-00	DISCONTINUED
39	97021-06030-00	97017-06030-00
40	92990-06600-00	WASHER
41	48H-14881-00-00	UNAVAILABLE
42	48H-14882-00-00	UNAVAILABLE
43	90467-20085-00	CLIP, SCISSOR
44	90467-23059-00	CLIP, SCISSOR
45	1EL-14883-00-00	UNAVAILABLE
46	90467-23059-00	CLIP, SCISSOR
47	90460-28243-00	CLAMP, HOSE

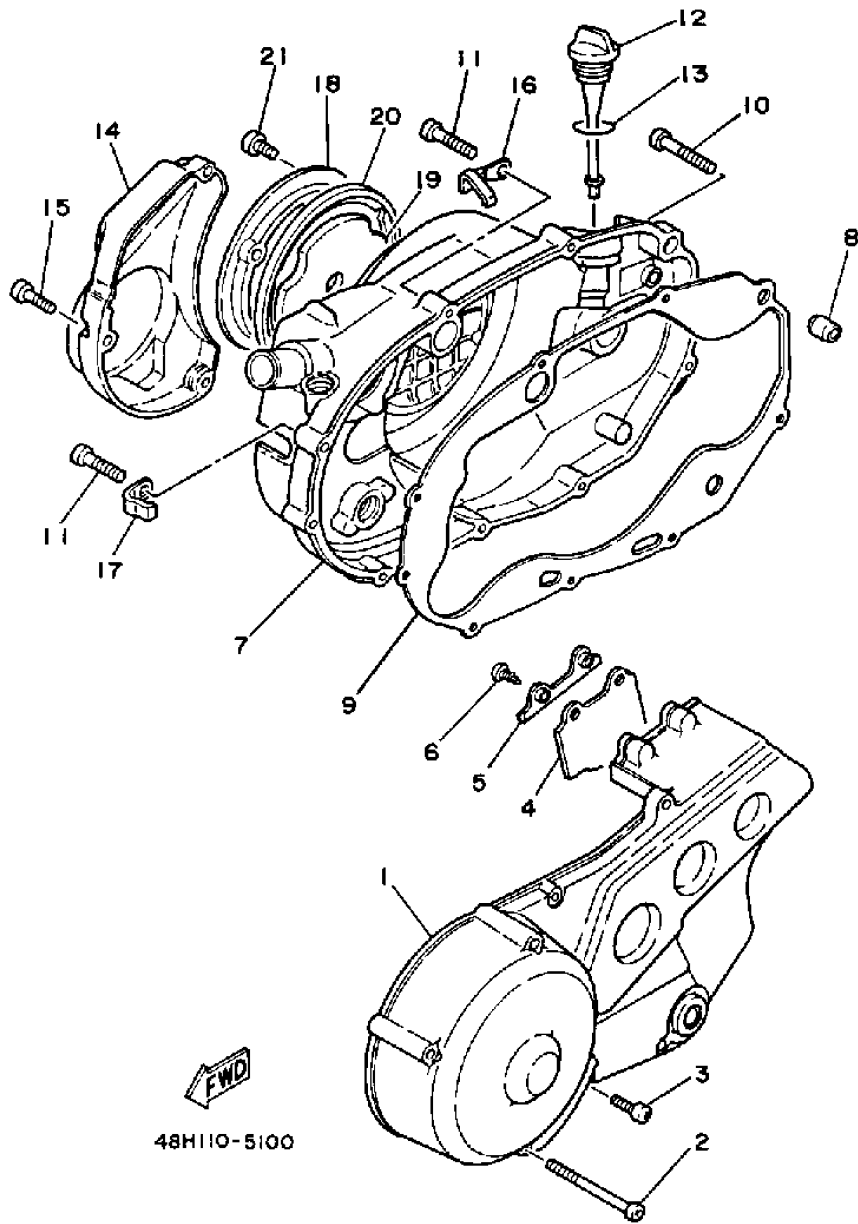
Catalog Title:
1985 RZ350N/NC/NCII

Block No.
B-11

Block Title:
CRANKCASE



Ref. No.	Part No.	Description
1	29L-15100-03-00	DISCONTINUED
2	99510-12016-00	» PIN,DOWEL
3	2GU-15316-00-00	» DAMPER,ENG.MNT.1
4	4L0-15326-00-00	» 2GU-15326-00-00
5	2YK-15328-00-00	» SPACER, DAMPER
6	583-15371-00-00	» BREATHER
7	90446-07112-00	» HOSE
8	90383-12022-00	» BUSH,FORMED
9	278-15492-01-00	COVER
10	98580-05010-00	97885-05010-00
11	90109-14385-00	BOLT
12	137-15353-00-00	4F4-14766-00-00
13	48H-15337-00-00	UNAVAILABLE
14	90116-08064-00	BOLT,STUD
15	90116-08232-00	BOLT,STUD
16	90201-08100-00	WASHER,PLATE
17	95333-08600-00	98880-08100-00
18	97311-06045-00	97013-06045-00
19	97313-06060-00	97013-06060-00
20	97311-06090-00	97017-06090-00
21	92990-06200-00	WASHER
22	90462-16130-00	CLAMP
23	90465-08135-00	CLAMP
24	90465-06094-00	CLAMP



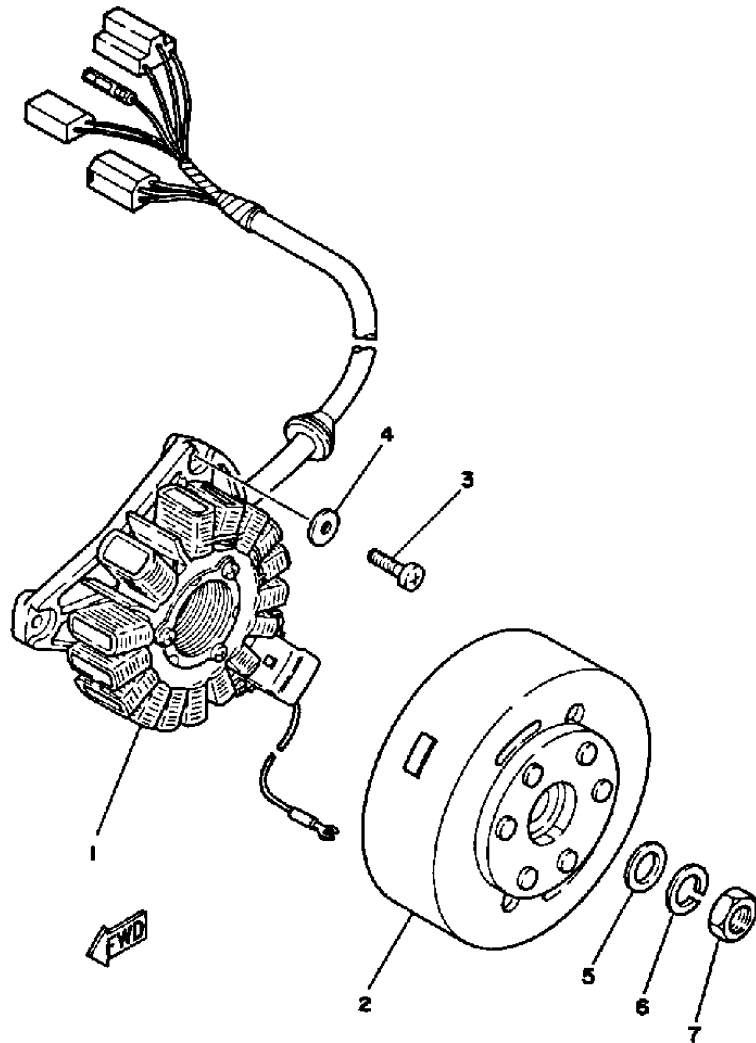
Ref. No.	Part No.	Description
1	29L-15410-00-00	CRCS COVER ASY L
2	98506-06055-00	98507-06055-00
3	98516-06020-00	98517-06020-00
4	1A0-15497-00-00	PLATE,DUST SEAL
5	1A0-15491-00-00	PROTECTOR
6	97706-50512-00	97707-50612-00
7	29L-15421-00-00	2GU-15421-00-00
8	99510-12016-00	PIN,DOWEL
9	3GG-15461-00-00	3GG-15461-01-00
10	98506-06040-00	98507-06040-00
11	98516-06030-00	98517-06030-00
12	4L0-15362-00-00	PLUG,OIL LEVEL
13	93210-19123-00	O-RING
14	48H-15420-00-00	CRCS COVER ASY R
15	98516-06020-00	98517-06020-00
16	90462-08071-00	CLAMP
17	90462-08070-00	CLAMP
18	29L-15431-00-00	COVER,CRANKCASE 3
19	31K-15317-00-00	SPACER,ENG MOUNT
20	48H-15327-00-00	SPACER,ENG MOUNT
21	98586-05016-00	90157-05M19-00

Catalog Title:
1985 RZ350N/NC/NCII

Block No.
C-1

Block Title:
GENERATOR

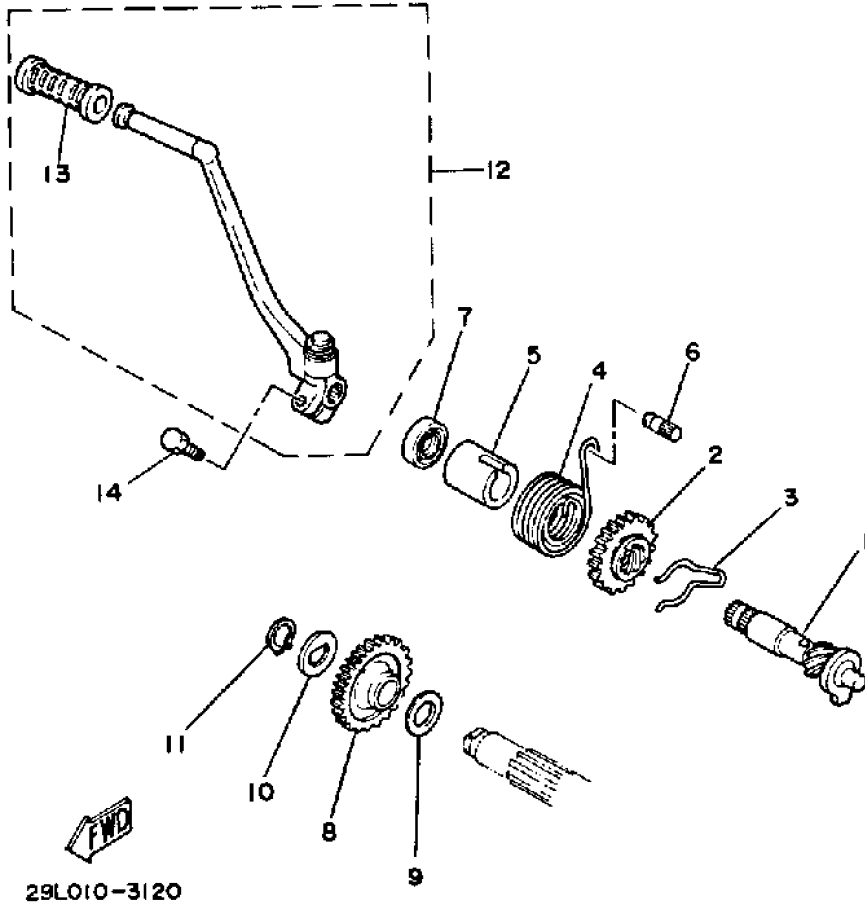
Ref. No.	Part No.	Description
1	51L-85510-50-00	STATOR ASSY
1	29L-81410-50-00	STATOR ASSY
2	51L-85550-50-00	ROTOR ASSY
2	29L-81450-50-00	51L-85550-50-00
3	90153-06007-00	SCREW, HEXAGON
4	90201-06042-00	WASHER, PLATE
5	90201-12593-00	WASHER, PLATE
6	92901-12100-00	92990-12100-00
7	90170-12347-00	90170-12369-00



29L010-3031

CHARGING SYSTEM	AC Generator
Battery: Model / Specific Gravity / Charge Rate	12N5.5-3B (12V5.5A) / 1.280 / 0.55A
Maximum Output	14A @ 5000 rpm
Field Coil Color Code / Ω	ø
Stator Coil Color Code / Ω	Wht ~ Wht / 0.5Ω ±20%

Ref. No.	Part No.	Description
1	4L0-15660-01-00	KICK AXLE ASSY
2	4L0-15641-00-00	GEAR,KICK
3	90468-26091-00	CLIP
4	90508-30051-00	SPRING,TORSION
5	4L0-15666-00-00	SPACER
6	248-15668-00-00	STOPPER
7	93101-20048-00	93102-20484-00
8	4L0-15651-00-00	GEAR,KICK IDLE
9	164-17417-00-10	SHIM 1
10	90214-15020-00	WASHER,CLAW
11	99009-15400-00	CIRCLIP (55X)
12	51L-15620-01-00	KICK CRANK ASY
13	156-15618-01-00	» COVER,KICK LEVER
14	97326-08030-00	97016-08030-00

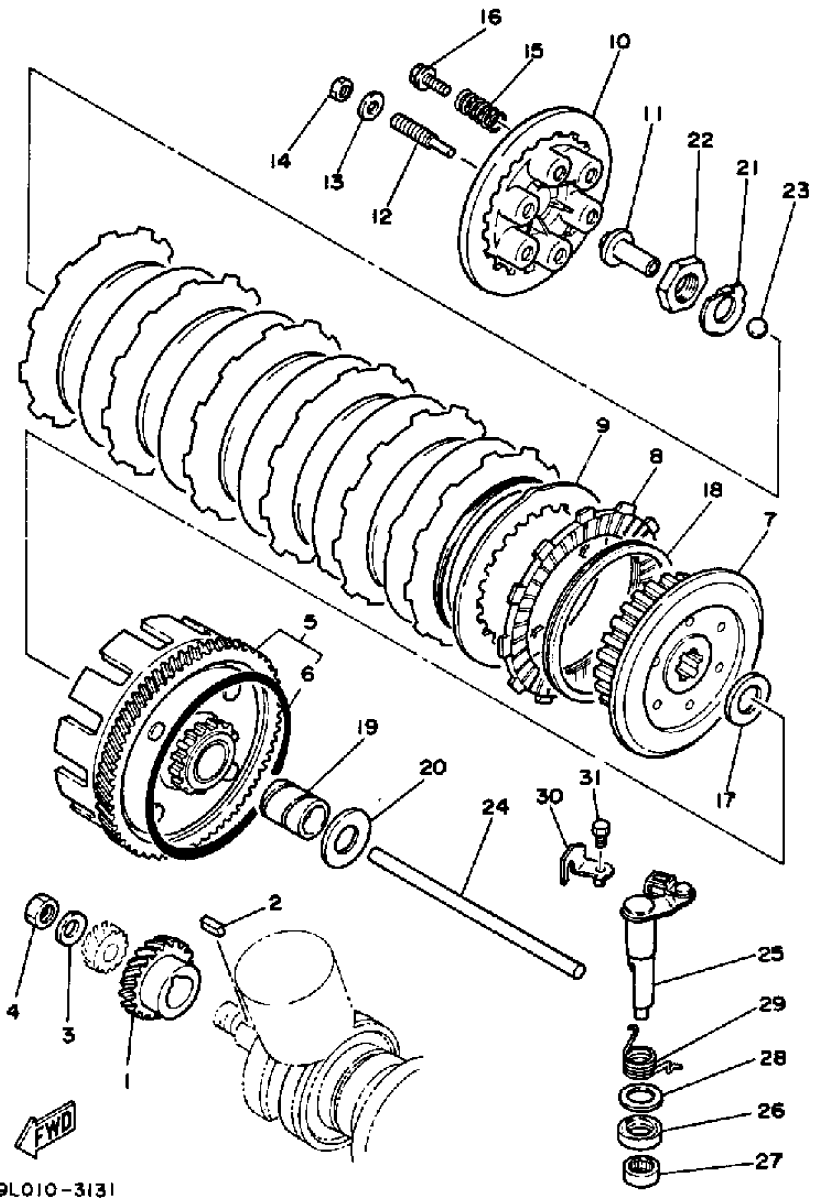


Catalog Title:
1985 RZ350N/NC/NCII

Block No.
C-3

Block Title:
CLUTCH

Ref. No.	Part No.	Description
26	93102-17004-00	OIL SEAL,SD-TYPE
27	93315-11720-00	BEARING,CYL.#15
28	90201-17327-00	90201-18262-00
29	90508-16599-00	SPRING,TORSION
30	90465-16239-00	CLAMP
31	97011-06010-00	97017-06010-00

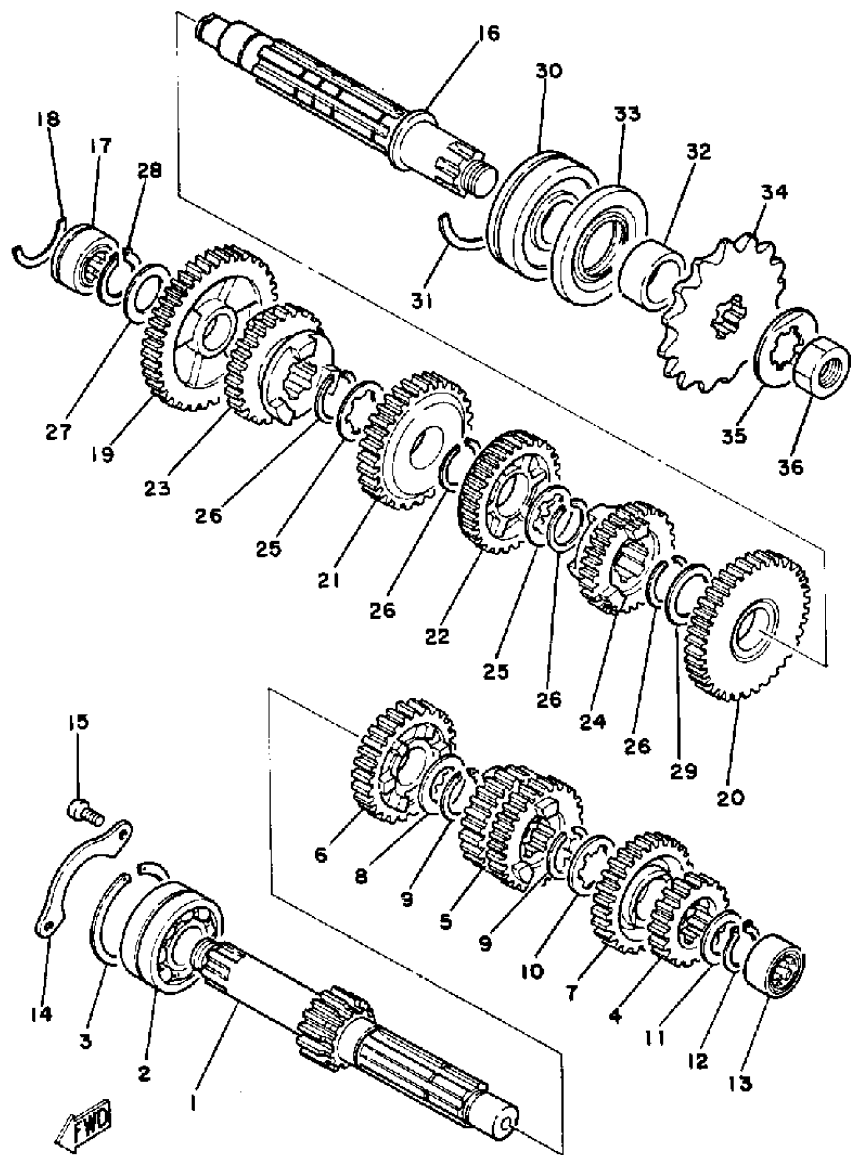


29L010-3131

Catalog Title:
1985 RZ350N/NC/NCII

Block No.
C-5

Block Title:
TRANSMISSION



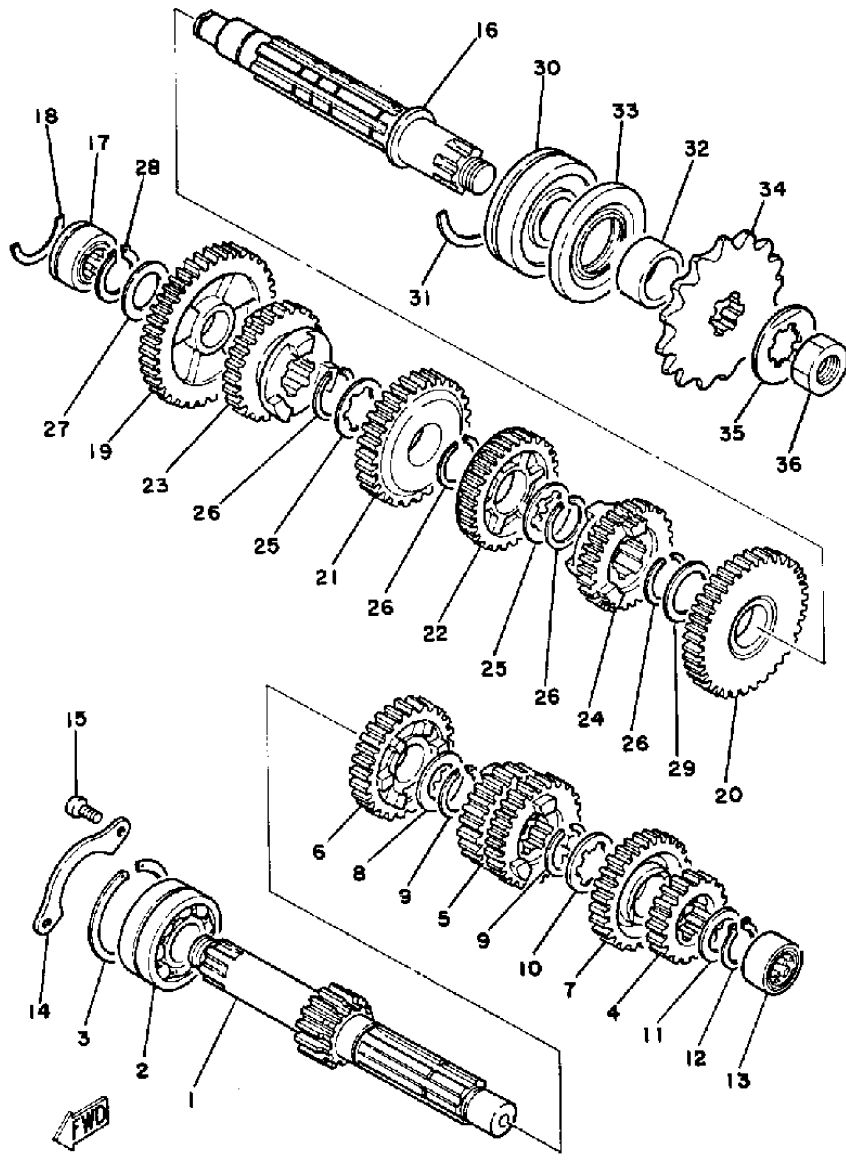
29L010-3140

Ref. No.	Part No.	Description
1	29L-17411-00-00	AXLE,MAIN
2	93305-20502-00	BEARING
3	93440-52009-00	CIRCLIP,OUTER
4	29L-17121-00-00	GEAR,2ND PINION
5	29L-17131-00-00	GEAR,3RD PINION
6	29L-17151-00-00	GEAR,5TH PINION
7	29L-17161-00-00	GEAR,6TH PINION
8	90201-25490-00	WASHER,PLATE
9	93440-25084-00	CIRCLIP,OUTER
10	90209-21105-00	WASHER,SPEC'L SHAP
11	90201-20266-00	WASHER,PLATE
12	99009-20400-00	CIRCLIP
13	93311-22027-00	BEARING,CYL.#11
14	4L0-17471-00-00	PLATE,COVER
15	98580-06012-00	97885-06012-00
16	29L-17421-00-00	AXLE,DRIVE
17	93311-42045-00	BEARING,CYL.#11
18	278-17425-00-00	CIRCLIP 2
19	4L0-17211-01-00	GEAR,1ST WHEEL
20	4L0-17221-01-00	GEAR,2ND WHEEL
21	29L-17231-00-00	GEAR,3RD WHEEL
22	4L0-17241-01-00	GEAR,4TH WHEEL
23	29L-17251-10-00	GEAR,5TH WHEEL
24	29L-17261-10-00	GEAR, 6TH WHEEL
25	90209-21105-00	WASHER,SPEC'L SHAP

Catalog Title:
1985 RZ350N/NC/NCII

Block No.
C-5

Block Title:
TRANSMISSION



29L010-3140

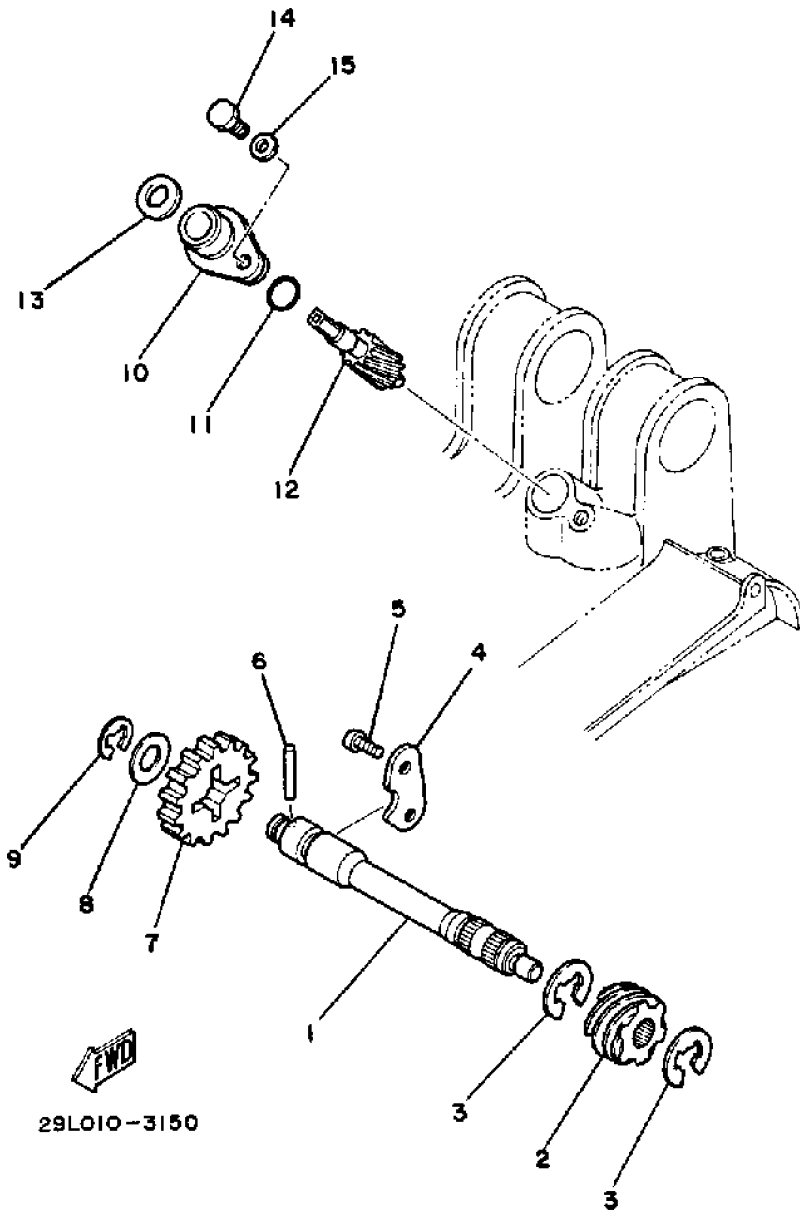
Ref. No.	Part No.	Description
26	93440-25084-00	CIRCLIP, OUTER
27	90201-20276-00	WASHER, PLATE
28	99009-20400-00	CIRCLIP
29	90201-25490-00	WASHER, PLATE
30	93306-30506-00	93306-30504-00
31	278-17424-01-00	CIRCLIP 1
32	90387-256H7-00	90387-257N4-00
33	93102-35109-00	OIL SEAL, SD-TYPE
34	93834-17119-00	SPROCKET, DRIVE 17T
35	90215-21239-00	WASHER, LOCK
36	90179-18020-00	NUT, SPEC'L SHAPE

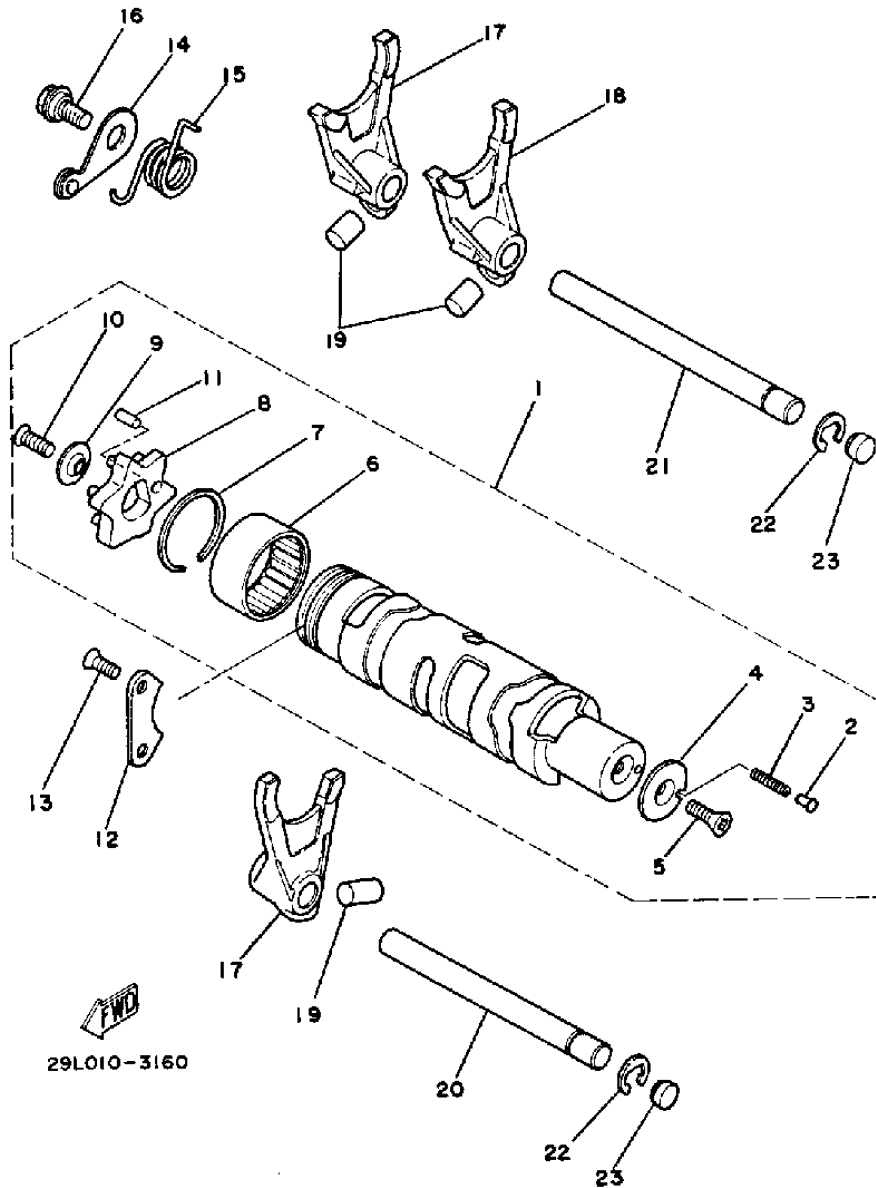
Catalog Title:
1985 RZ350N/NC/NCII

Block No.
C-7

Block Title:
TACHOMETER GEAR

Ref. No.	Part No.	Description
1	2R8-17861-00-00	DISCONTINUED
2	2R8-17831-00-00	GEAR,DRIVE
3	99006-10600-00	CIRCLIP
4	4L0-17812-00-00	DISCONTINUED
5	98580-05012-00	SCREW,PAN HEAD
6	93603-22028-00	PIN,DOWEL
7	2R9-17851-00-00	GEAR,PRIMARY
8	90201-105J4-00	WASHER,PLATE
9	99001-08600-00	CIRCLIP
10	4L0-17811-00-00	HOUSING,TACH GEAR
11	93210-12790-00	O-RING
12	4L0-17841-00-00	GEAR,DRIVEN
13	4L0-17818-00-00	GASKET
14	97026-06010-00	97017-06010-00
15	92906-06600-00	92907-06600-00





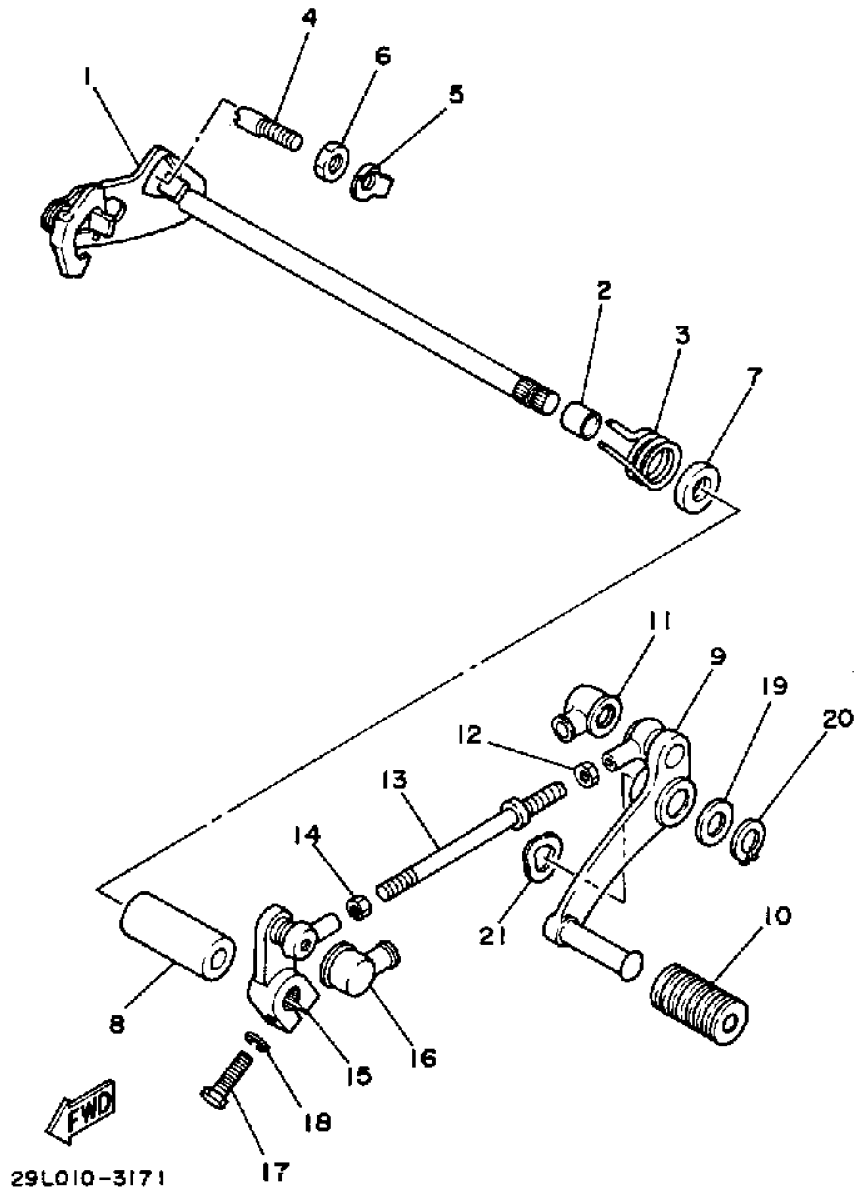
Ref. No.	Part No.	Description
1	29L-18540-00-00	DISCONTINUED
2	278-18542-00-00	» 4UN-18542-00-00
3	90501-06022-00	» SPRING, COMPRESSION
4	278-18566-00-00	» PLATE, SIDE 2
5	98701-05012-00	» 98707-05012-00
6	93315-23612-00	» BEARING, CYL. #15
7	93440-34025-00	» CIRCLIP, OUTER
8	4L0-18185-00-00	» SEGMENT
9	3R4-18561-00-00	» PLATE, SIDE 1
10	98701-05016-00	» 98707-05016-00
11	93604-12037-00	» PIN, DOWEL
12	4L0-18562-00-00	PLATE, STOPPER 2
13	98701-06014-00	98707-06014-00
14	4L0-18140-00-00	STOPPER LEVER ASY
15	90508-26452-00	90508-26714-00
16	50W-21631-00-00	BOLT 1
17	2GU-18511-00-00	FORK, SHIFT 1
18	4L0-18512-00-00	2GU-18512-00-00
19	90250-08017-00	PIN, STRAIGHT
20	4L0-18531-01-00	BAR, SHIF FRK GDE 1
21	29L-18535-00-00	BAR, SHIF FRK GDE 2
22	93430-08036-00	93430-08007-00
23	90334-10006-00	PLUG, STRAIGHT

Catalog Title:
1985 RZ350N/NC/NCII

Block No.
C-9

Block Title:
SHIFT SHAFT

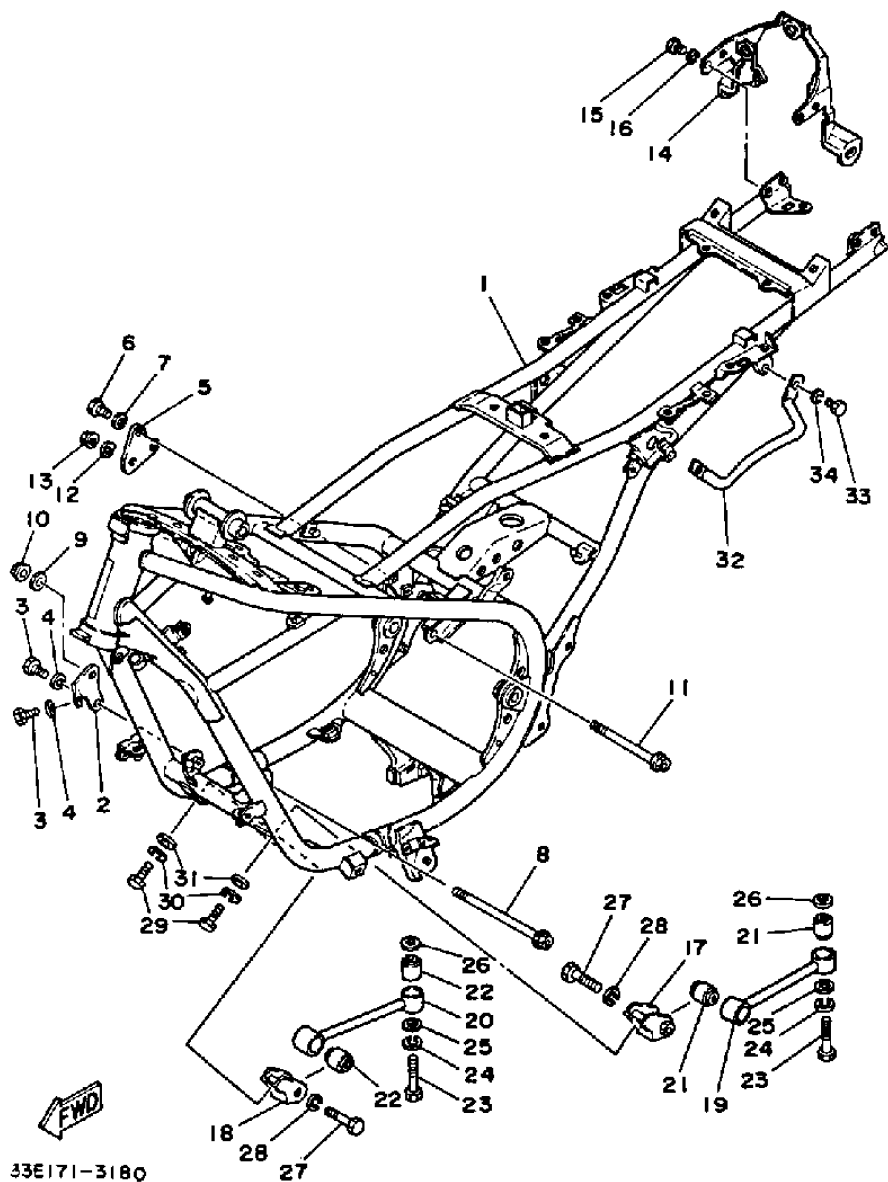
Ref. No.	Part No.	Description
1	2GU-18101-00-00	SHIFT SHAFT ASSY 1
2	90560-12171-00	SPACER
3	90508-32374-00	SPRING, TORSION
4	90149-08094-00	SCREW, SPEC'L SHAPE
5	90215-08174-00	WASHER, LOCK
6	90170-08029-00	NUT, HEXAGON
7	93102-12321-00	OIL SEAL, SD-TYPE
8	90387-125A8-00	COLLAR
9	29L-18111-00-00	PEDAL, SHIFT
10	132-18113-01-00	COVER, SHIFT PEDAL
11	2H9-18154-00-00	COVER, DUST
12	95380-06700-00	NUT
13	29L-18115-00-00	ROD, SHIFT
14	90170-06228-00	NUT, HEXAGON
15	29L-18112-00-00	ARM, SHIFT
16	2H9-18154-00-00	COVER, DUST
17	97011-06020-00	97017-06020-00
18	92995-06100-00	WASHER
19	90201-122A7-00	WASHER, PLATE
20	99009-12400-00	CIRCLIP
21	90206-12074-00	WASHER, WAVE



Catalog Title:
1985 RZ350N/NC/NCII

Block No.
D-1

Block Title:
FRAME RZ350N

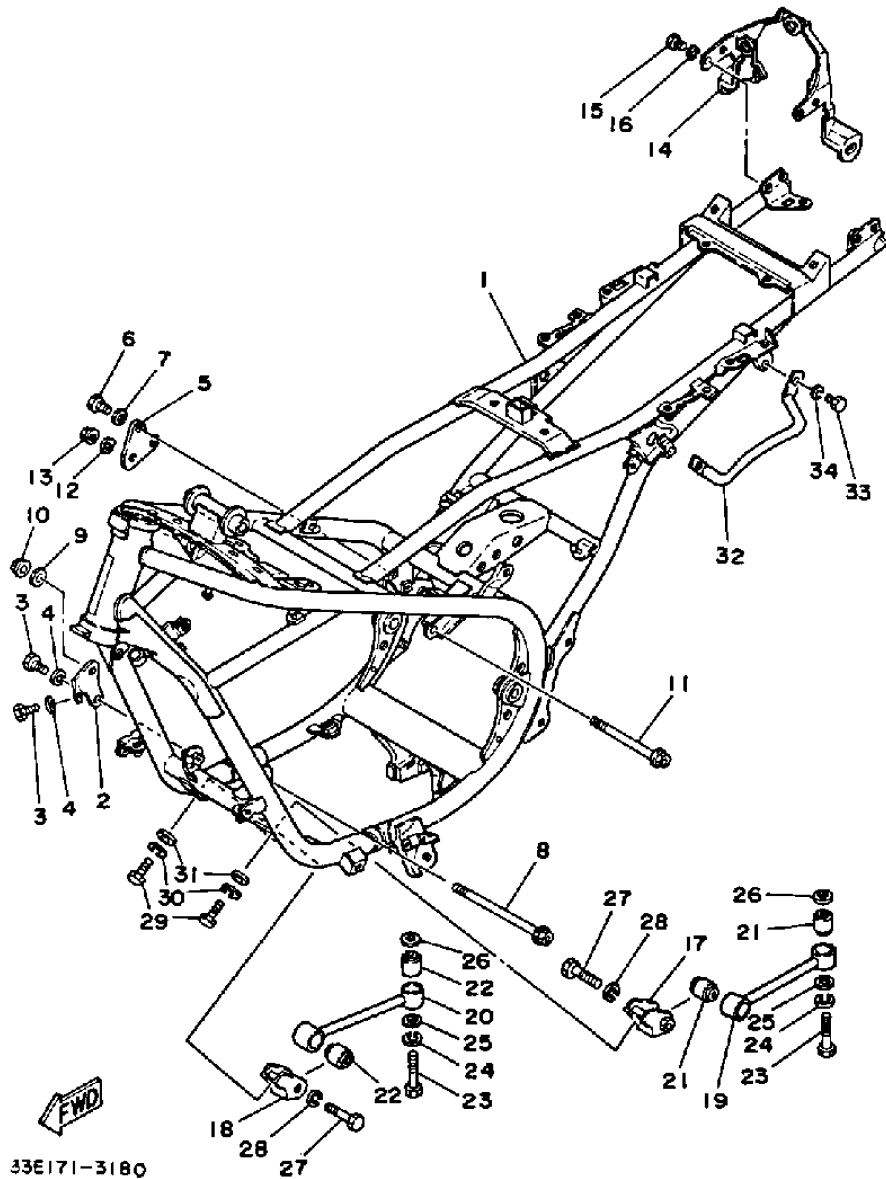


Ref. No.	Part No.	Description
1	1EL-21110-00-FH	DISCONTINUED
1	1EL-21110-00-33	DISCONTINUED
2	29L-21315-01-00	STAY,ENGINE 2
3	97313-08020-00	97013-08020-00
4	92990-08100-00	WASHER,SPRING
5	29L-21316-00-00	DISCONTINUED
6	97313-08020-00	97013-08020-00
7	92990-08100-00	WASHER,SPRING
8	90105-10053-00	95827-10155-00
9	92990-10100-00	WASHER,SPRING
10	95701-10500-00	95704-10500-00
11	90105-10040-00	90105-10733-00
12	92990-10100-00	WASHER,SPRING
13	95701-10500-00	95704-10500-00
14	29L-21260-00-00	DISCONTINUED
15	97013-06012-00	97080-06012-00
16	92995-06100-00	WASHER
17	4L0-21317-00-00	STAY,ENGINE 4
18	4L0-21318-00-00	STAY,ENGINE 5
19	1UA-21314-00-00	STAY, ENGINE 1
20	1UA-21319-00-00	STAY, ENGINE 6
21	4L0-21485-00-00	DAMPER,RUBBER 1
22	4L0-21485-00-00	DAMPER,RUBBER 1
23	97313-10055-00	97013-10055-00
24	92990-10100-00	WASHER,SPRING

Catalog Title:
1985 RZ350N/NC/NCII

Block No.
D-1

Block Title:
FRAME RZ350N

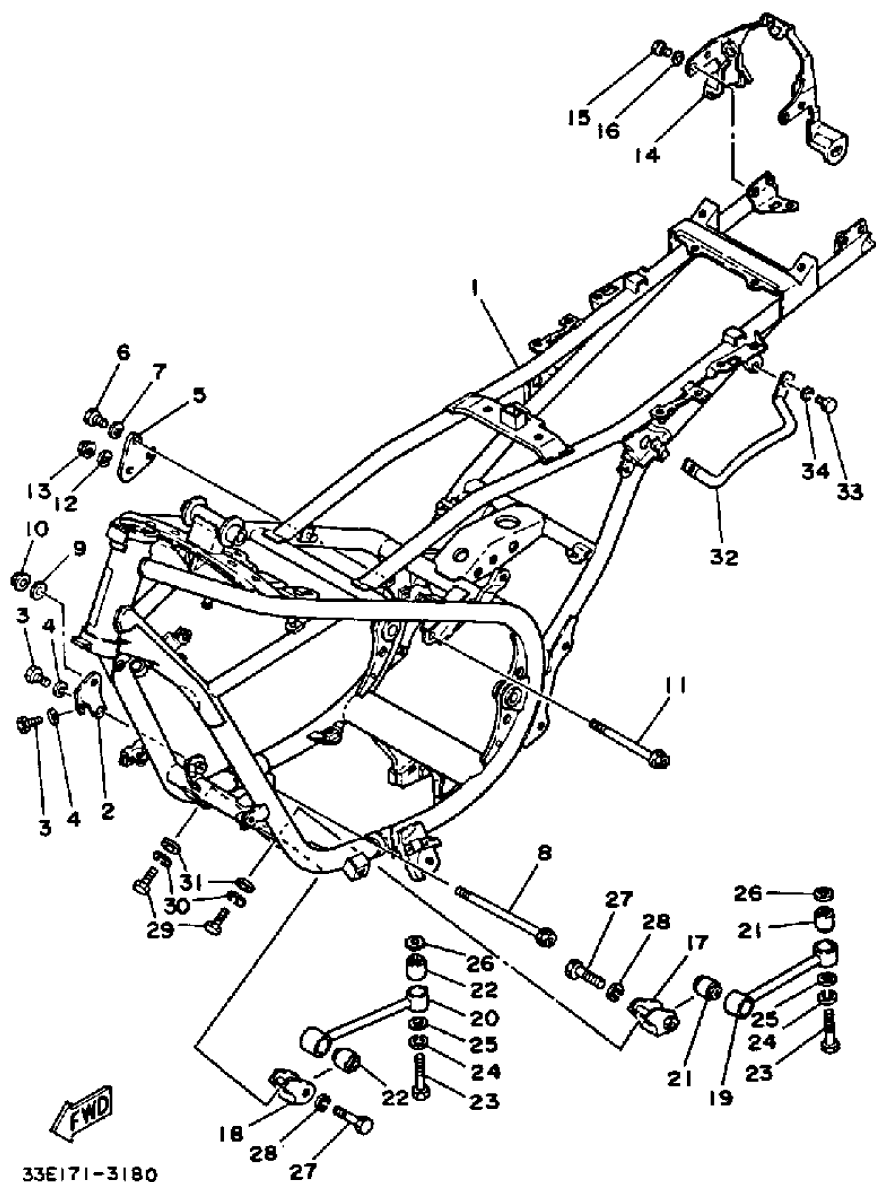


Ref. No.	Part No.	Description
25	92990-10600-00	WASHER
26	90201-10774-00	WASHER, PLATE
27	97013-10040-00	BOLT
28	92990-10100-00	WASHER, SPRING
29	97001-08025-00	97011-08025-00
30	92990-08100-00	WASHER, SPRING
31	92901-08600-00	92990-08600-00
32	29L-21165-00-00	DISCONTINUED
33	97313-06016-00	97095-06016-00
34	92995-06100-00	WASHER

Catalog Title:
1985 RZ350N/NC/NCII

Block No.
D-3

Block Title:
FRAME RZ350NC

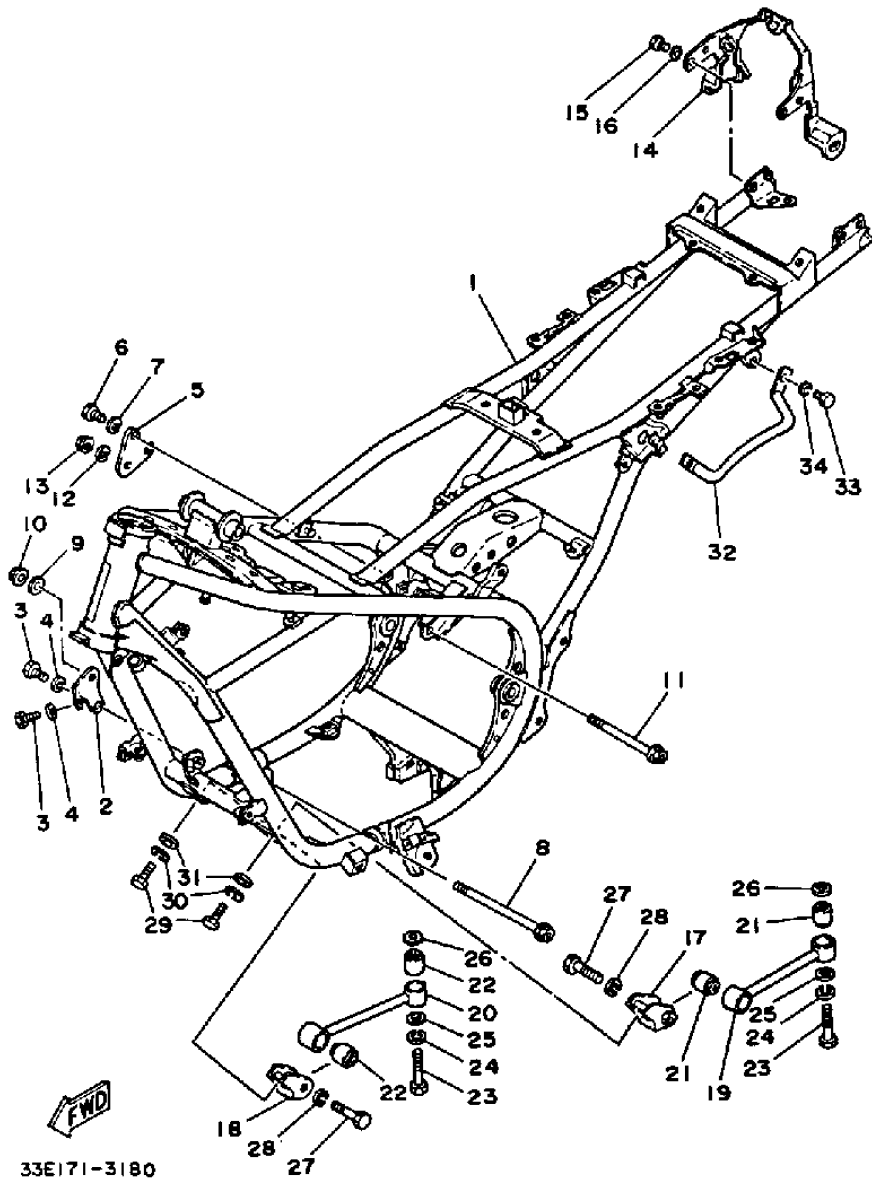


Ref. No.	Part No.	Description
1	1EL-21110-00-FH	DISCONTINUED
1	1EL-21110-00-33	DISCONTINUED
2	29L-21315-01-00	STAY,ENGINE 2
3	97313-08020-00	97013-08020-00
4	92990-08100-00	WASHER,SPRING
5	29L-21316-00-00	DISCONTINUED
6	97313-08020-00	97013-08020-00
7	92990-08100-00	WASHER,SPRING
8	90105-10053-00	95827-10155-00
9	92990-10100-00	WASHER,SPRING
10	95701-10500-00	95704-10500-00
11	90105-10040-00	90105-10733-00
12	92990-10100-00	WASHER,SPRING
13	95701-10500-00	95704-10500-00
14	29L-21260-00-00	DISCONTINUED
15	97013-06012-00	97080-06012-00
16	92995-06100-00	WASHER
17	4L0-21317-00-00	STAY,ENGINE 4
18	4L0-21318-00-00	STAY,ENGINE 5
19	1UA-21314-00-00	STAY, ENGINE 1
20	1UA-21319-00-00	STAY, ENGINE 6
21	4L0-21485-00-00	DAMPER,RUBBER 1
22	4L0-21485-00-00	DAMPER,RUBBER 1
23	97313-10055-00	97013-10055-00
24	92990-10100-00	WASHER,SPRING

Catalog Title:
1985 RZ350N/NC/NCII

Block No.
D-3

Block Title:
FRAME RZ350NC

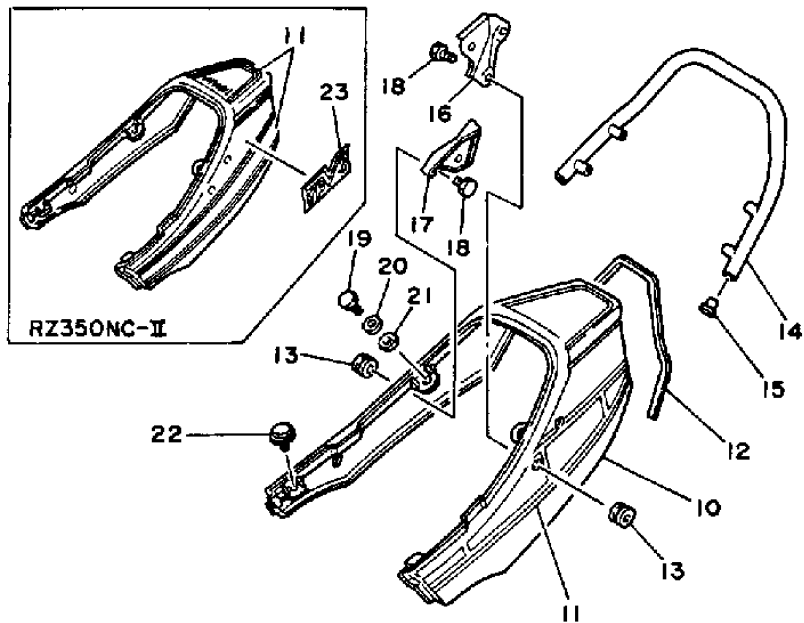


Ref. No.	Part No.	Description
25	92990-10600-00	WASHER
26	90201-10774-00	WASHER, PLATE
27	97013-10040-00	BOLT
28	92990-10100-00	WASHER, SPRING
29	97001-08025-00	97011-08025-00
30	92990-08100-00	WASHER, SPRING
31	92901-08600-00	92990-08600-00
32	29L-21165-00-00	DISCONTINUED
33	97313-06016-00	97095-06016-00
34	92995-06100-00	WASHER

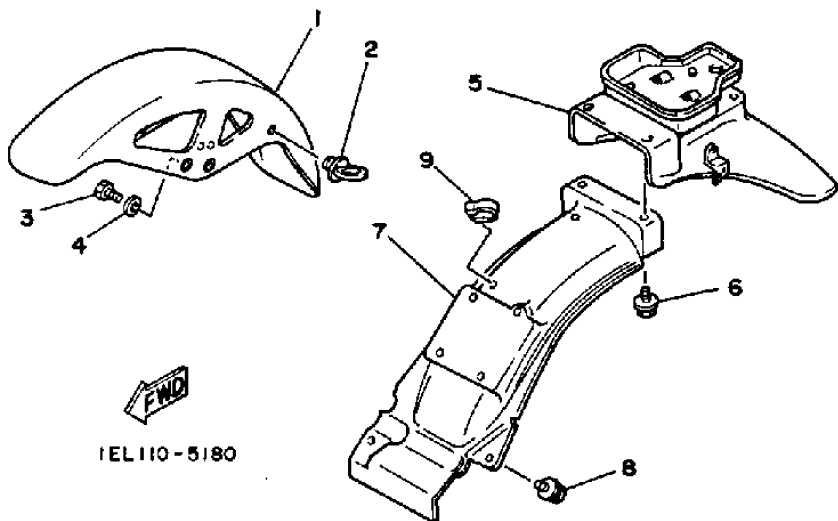
Catalog Title:
1985 RZ350N/NC/NCII

Block No.
D-5

Block Title:
FENDER



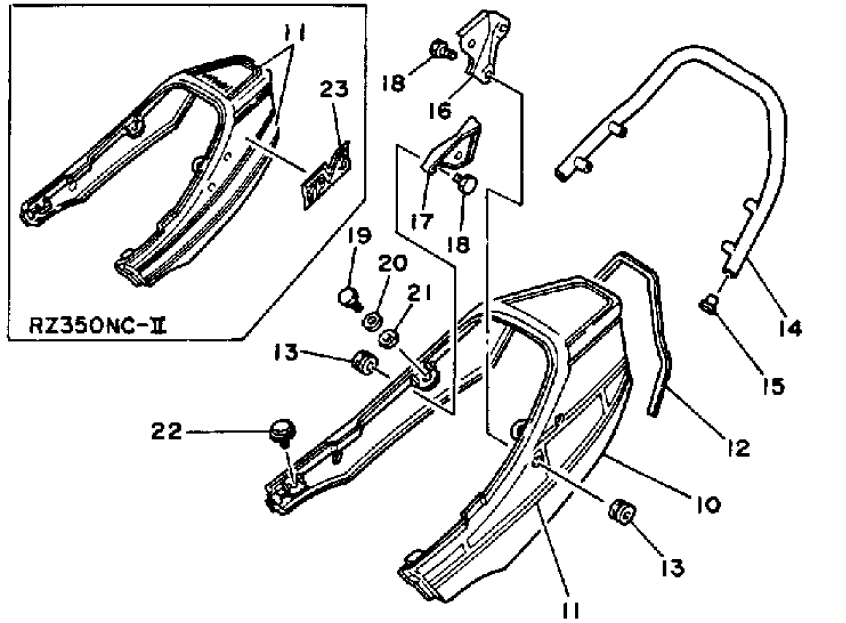
Ref. No.	Part No.	Description
1	29L-21510-00-5X	FENDER,FRONT
1	29L-21510-00-E1	FENDER,FRONT
2	1A8-21518-00-00	HOLDER,CABLE
3	97011-06020-00	97017-06020-00
4	92995-06100-00	WASHER
5	29L-W2161-01-00	REAR FENDER
6	90119-06063-00	BOLT,WITH WASHER
7	29L-21629-01-00	GUARD,MUD
8	90119-06095-00	90119-06108-00
9	90464-12027-00	CLAMP
10	29L-21651-00-26	COVER,REAR FENDER
10	29L-21651-00-36	DISCONTINUED
11	29L-21660-30-00	DISCONTINUED
11	29L-21660-40-00	DISCONTINUED
11	48-21660-00-00	UNAVAILABLE
12	29L-28345-00-00	36Y-28348-00-00
13	90480-18431-00	GROMMET
14	29L-21645-00-00	STAY,REAR
15	90338-15110-00	PLUG,SPEC'L SHAPE
16	29L-21688-00-00	BRACKET,REAR STAY
17	29L-21689-00-00	BRACKET REAR STAY2
18	97011-08016-00	97017-08016-00
19	97001-08025-00	97011-08025-00
20	90201-081A6-00	90201-086P8-00
21	90387-10567-00	COLLAR



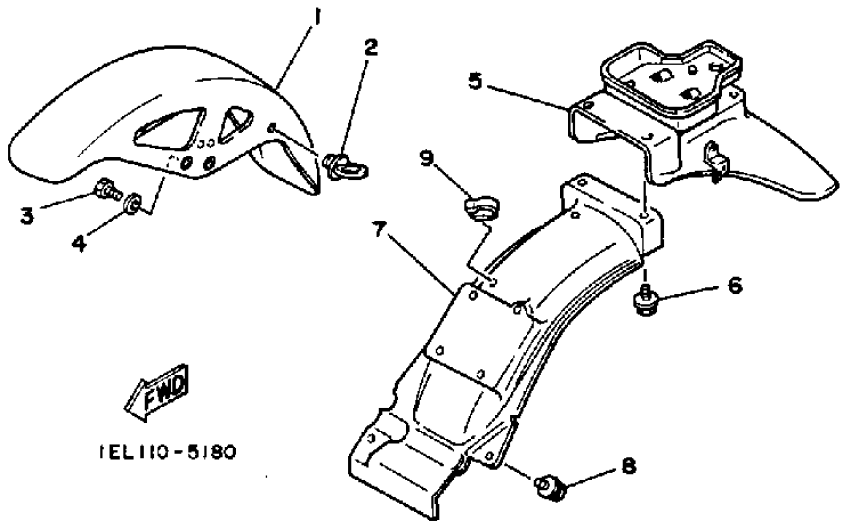
Catalog Title:
1985 RZ350N/NC/NCII

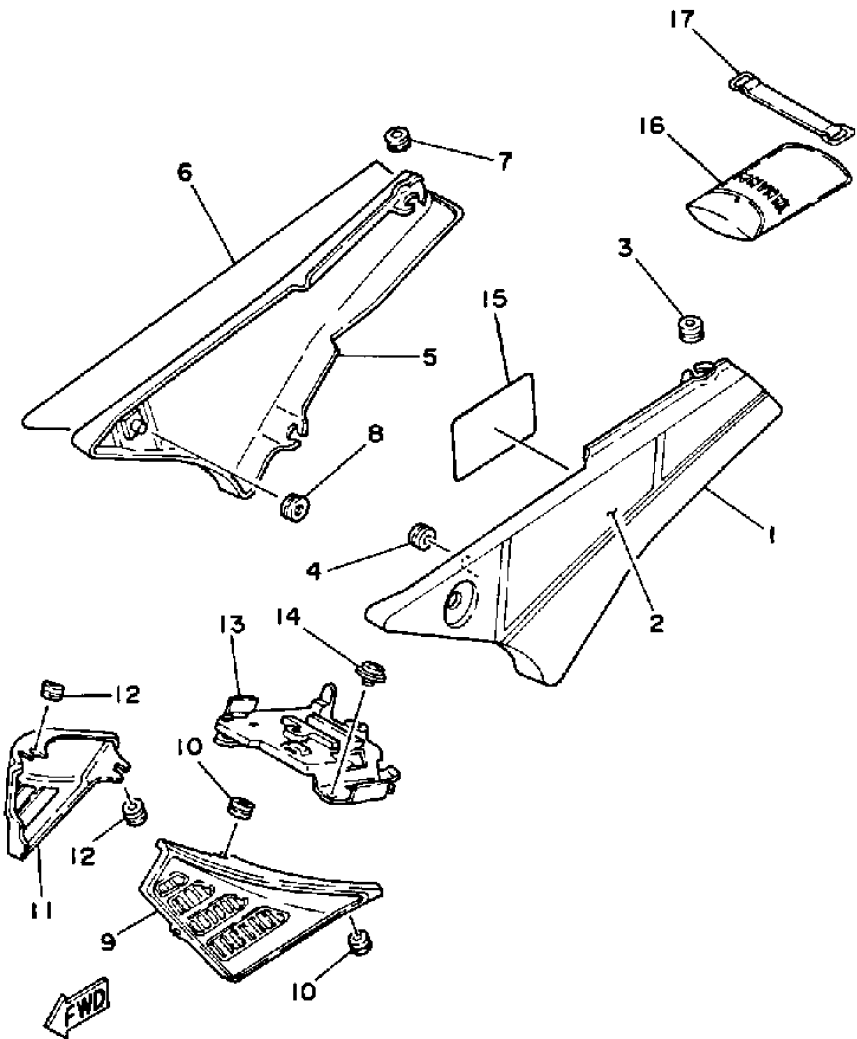
Block No.
D-5

Block Title:
FENDER



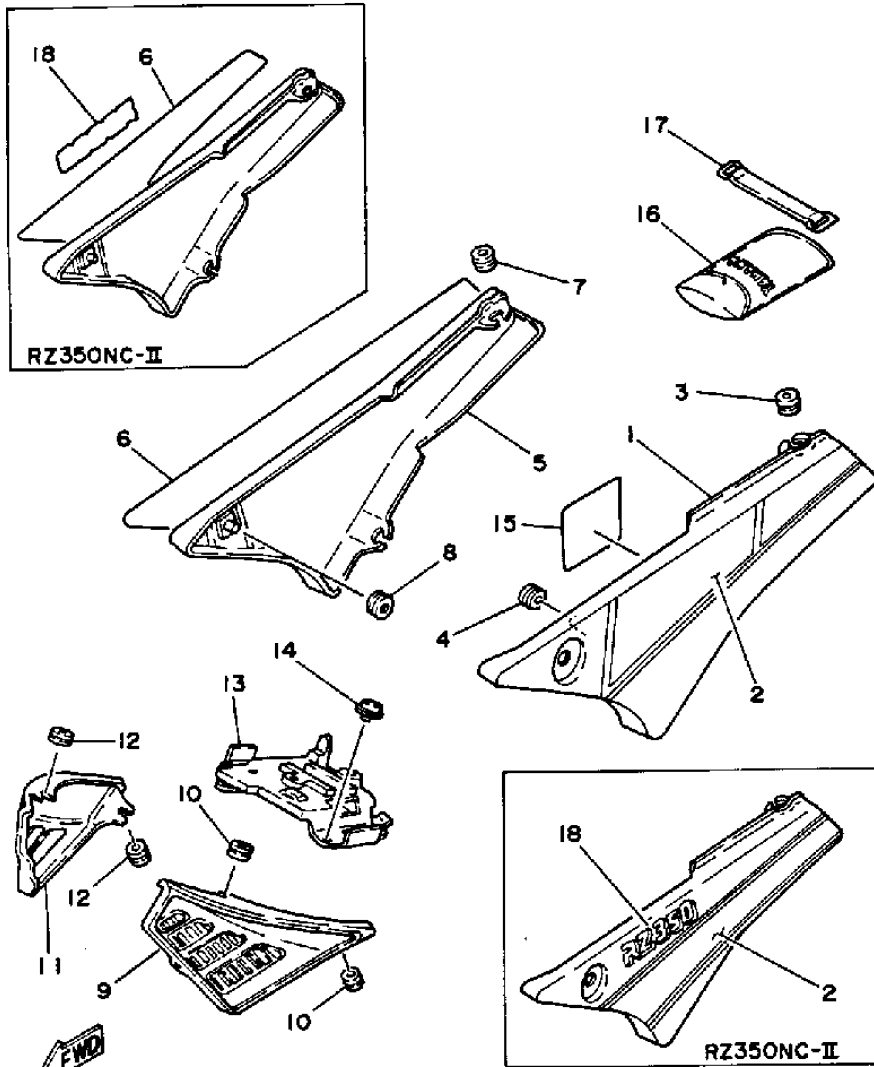
Ref. No.	Part No.	Description
22	90119-06042-00	90119-06117-00
23	48H-2163H-00-00	DISCONTINUED





Ref. No.	Part No.	Description
1	29L-21711-00-26	COVER,SIDE 1
1	29L-21711-00-36	COVER,SIDE 1
2	29L-2173E-70-00	DISCONTINUED
2	29L-2173E-80-00	DISCONTINUED
3	90480-12320-00	GROMMET
4	90480-12421-00	GROMMET
5	29L-21721-00-26	DISCONTINUED
5	29L-21721-00-36	DISCONTINUED
6	29L-2173F-70-00	DISCONTINUED
6	29L-2173F-80-00	DISCONTINUED
7	90480-12320-00	GROMMET
8	90480-12421-00	GROMMET
9	1UA-21731-01-00	COVER, SIDE 3
10	90480-12320-00	GROMMET
11	29L-21741-00-00	COVER,SIDE 4
12	90480-12320-00	GROMMET
13	29L-21243-01-00	PLATE,BRIDGE
14	90119-06042-00	90119-06117-00
15	48H-21683-40-00	PLATE,SPEC
16	1KT-W2810-00-00	1KT-W2810-01-00
17	116-82131-00-00	BAND,BATTERY

48H110 - 5190



IEL110-5190

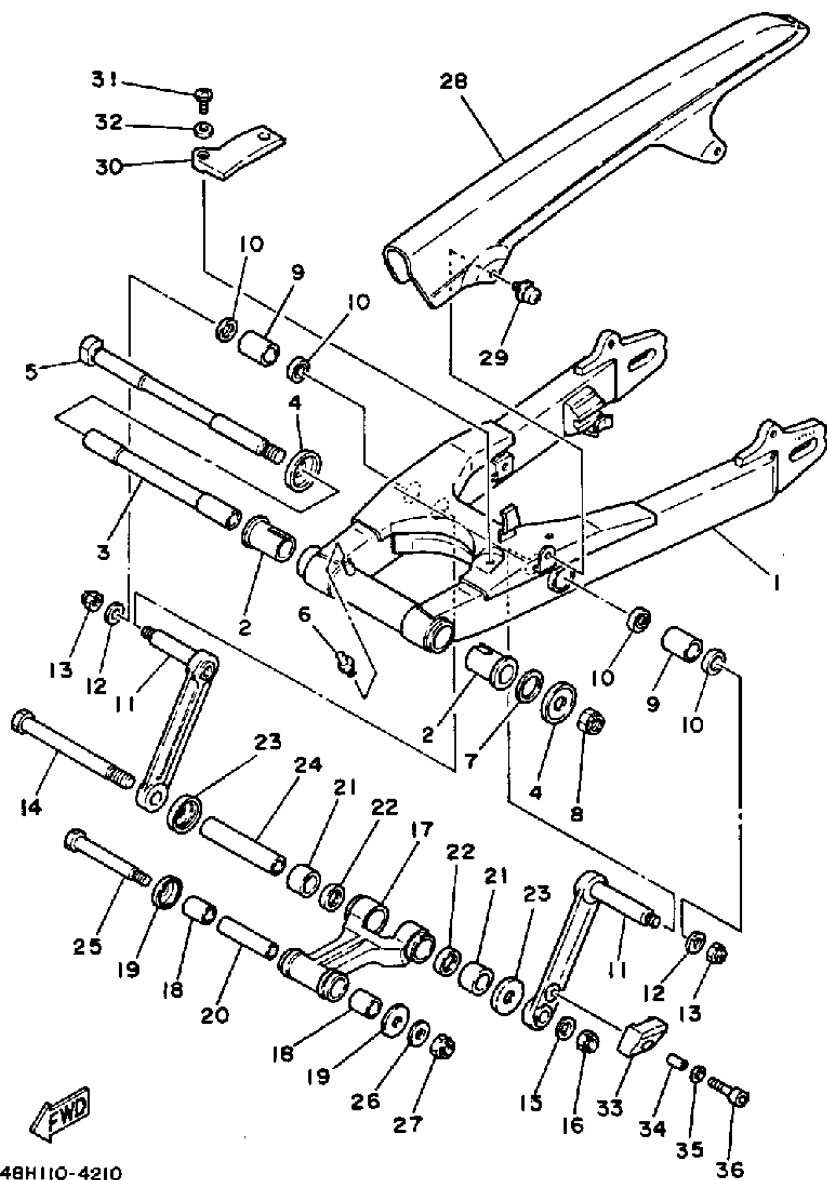
Ref. No.	Part No.	Description
1	29L-21711-00-26	COVER,SIDE 1
1	29L-21711-00-36	COVER,SIDE 1
2	29L-2173E-70-00	DISCONTINUED
2	29L-2173E-80-00	DISCONTINUED
2	48H-2173E-00-00	GRAPHIC 1
3	90480-12320-00	GROMMET
4	90480-12421-00	GROMMET
5	29L-21721-00-26	DISCONTINUED
5	29L-21721-00-36	DISCONTINUED
6	29L-2173F-70-00	DISCONTINUED
6	29L-2173F-80-00	DISCONTINUED
6	48H-2173F-00-00	DISCONTINUED
7	90480-12014-00-00	UNAVAILABLE
8	90480-12421-00	GROMMET
9	1UA-21731-01-00	COVER, SIDE 3
10	90480-12320-00	GROMMET
11	29L-21741-00-00	COVER,SIDE 4
12	90480-12320-00	GROMMET
13	29L-21243-01-00	PLATE,BRIDGE
14	90119-06042-00	90119-06117-00
15	1EL-21683-50-00	UNAVAILABLE
16	1KT-W2810-00-00	1KT-W2810-01-00
17	116-82131-00-00	BAND,BATTERY
18	48H-21781-00-00	DISCONTINUED

Catalog Title:
1985 RZ350N/NC/NCII

Block No.
D-8

Block Title:
SWING ARM

Ref. No.	Part No.	Description
1	48H-22110-00-35	UNAVAILABLE
2	93320-32403-00	BEARING,CYL.#20
3	51L-22184-00-00	BUSH
4	4X7-22129-00-00	COVER,THRUST 2
5	29L-22141-00-00	SHAFT,PIVOT
6	93700-06M03-00	NIPPLE,GREASE
7	90201-161J3-00	WASHER,PLATE
8	90185-14070-00	NUT,SELF-LOCKING
9	90386-18136-00	BUSH,SPEC'L NYLON
10	93109-18020-00	OIL SEAL,SDO-TYPE
11	31K-2217M-00-00	ARM 1
12	90201-12191-00	WASHER,PLATE
13	95601-12100-00	95617-12100-00
14	90101-14585-00	BOLT
15	92990-14600-00	WASHER
16	95601-14100-00	95607-14100-00
17	31K-2217A-00-00	UNAVAILABLE
18	90386-18118-00	BUSH,SPEC'L NYLON
19	26H-22129-00-00	COVER,THRUST 2
20	90387-127H2-00	COLLAR
21	90386-20134-00	BUSH,SPEC'L NYLON
22	92109-20029-00	UNAVAILABLE
23	26H-22128-00-00	COVER,THRUST 1
24	90387-144H4-00	COLLAR
25	90109-10739-00	BOLT

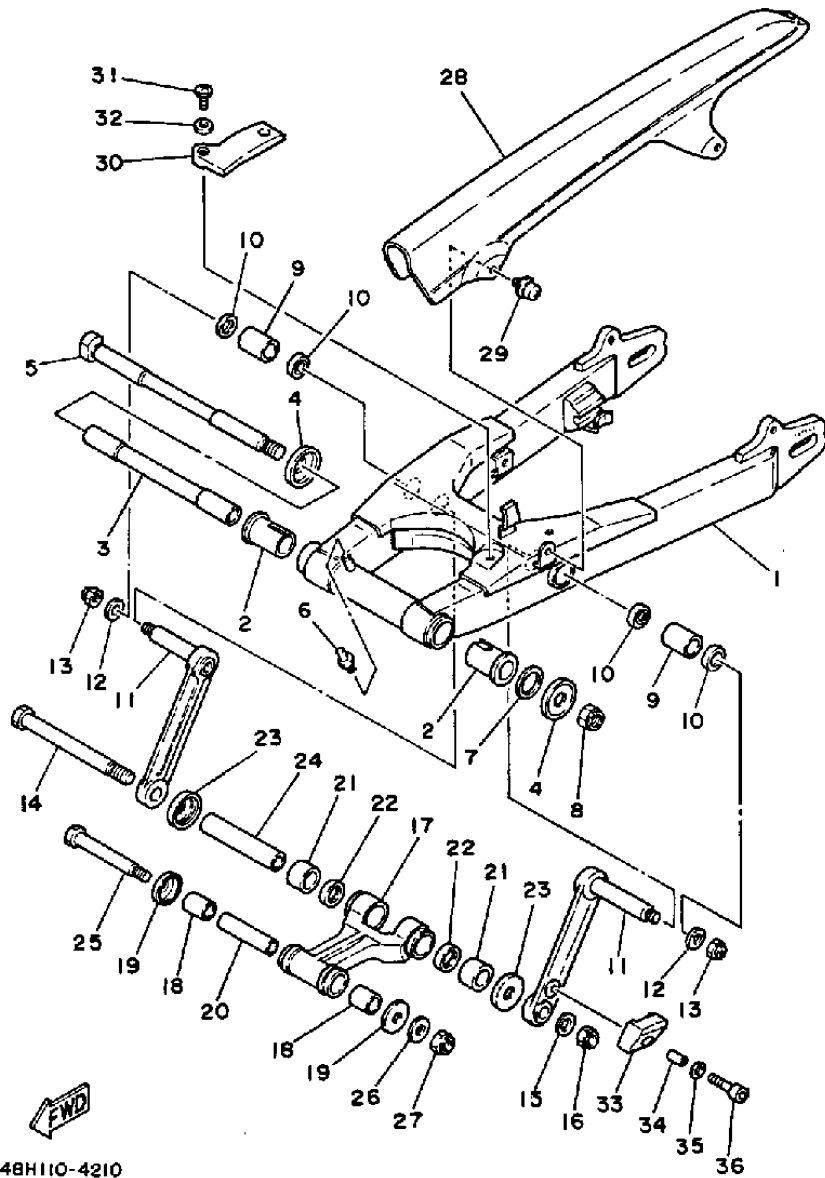


Catalog Title:
1985 RZ350N/NC/NCII

Block No.
D-8

Block Title:
SWING ARM

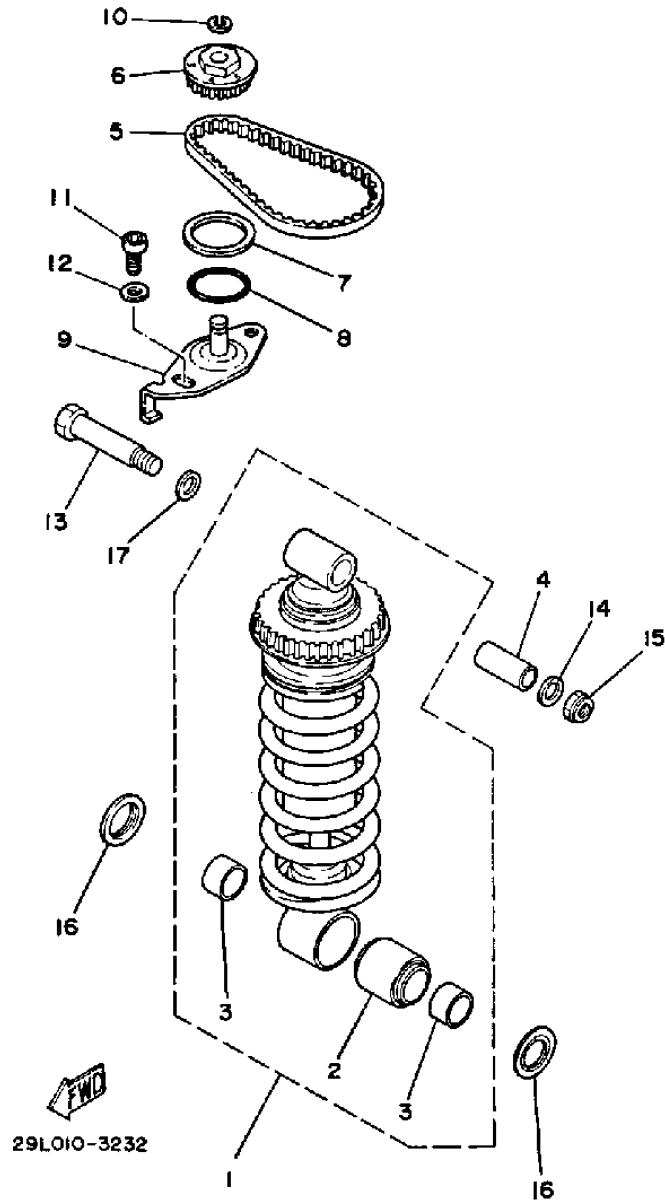
Ref. No.	Part No.	Description
26	90201-102G9-00	WASHER, PLATE
27	95601-10100-00	95607-10100-00
28	29L-22311-00-00	CASE, CHAIN
29	90159-06084-00	90159-06082-00
30	29L-22151-00-00	SEAL, GUARD
31	98580-05010-00	97885-05010-00
32	92901-05600-00	92990-05600-00
33	31K-22187-00-00	GUIDE, CHAIN
34	90387-060G5-00	COLLAR
35	92990-06200-00	WASHER
36	91311-06030-00	91314-06030-00



Catalog Title:
1985 RZ350N/NC/NCII

Block No.
D-10

Block Title:
REAR SHOCKS

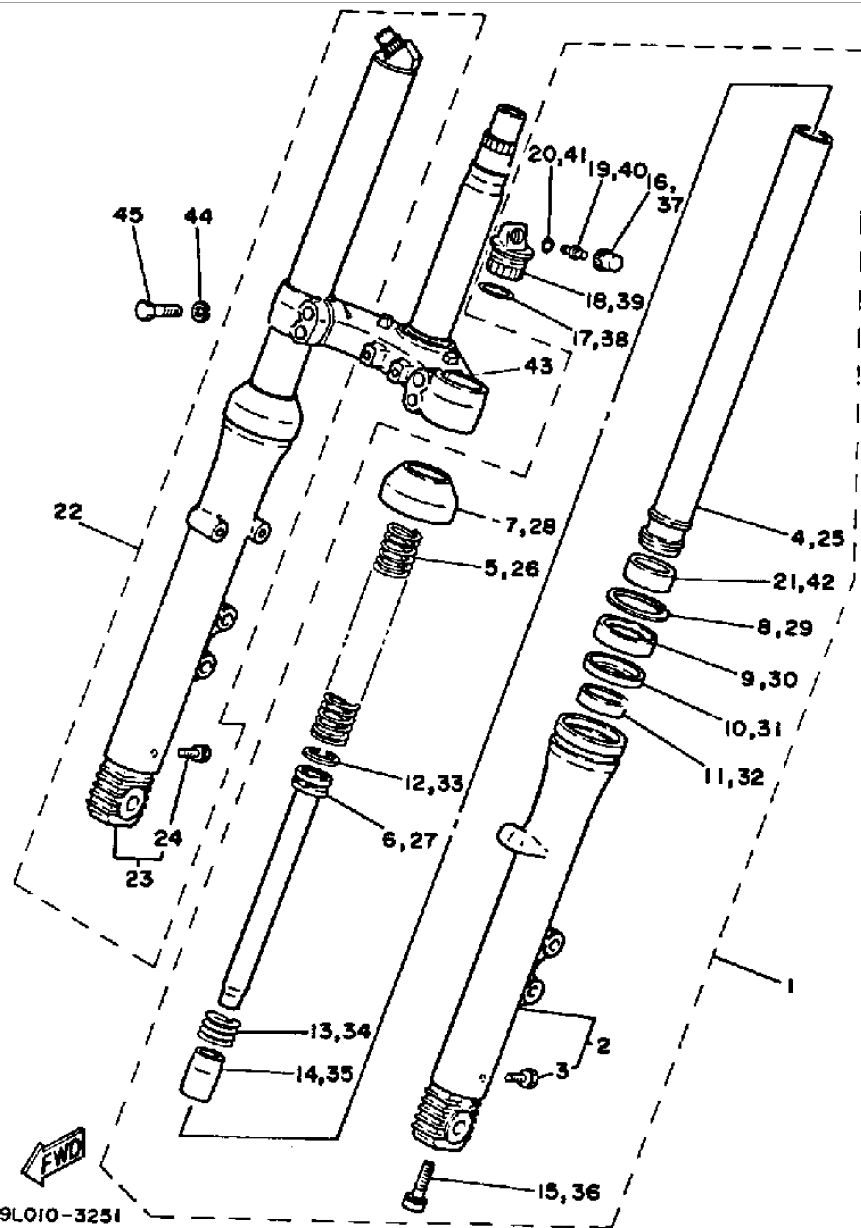


Ref. No.	Part No.	Description
1	51L-22210-00-00	SHK ABS ASY REAR
2	29L-22216-00-00	» BUSH,RR SHOCK ABS
3	90383-20033-00	» BUSH,FORMED
4	90387-124T2-00	90387-1210W-00
5	29L-22266-01-00	BELT, TIMING
6	29L-22267-00-00	PULLEY
7	90201-202H3-00	DISCONTINUED
8	93210-35389-00	O-RING
9	29L-22268-00-00	UNAVAILABLE
10	93440-10123-00	CIRCLIP,OUTER
11	91316-08020-00	91317-08020-00
12	92906-08200-00	92907-08200-00
13	90109-10554-00	90109-10453-00
14	90201-10126-00	90201-102G9-00
15	95601-10100-00	95607-10100-00
16	29L-2217H-00-00	COVER,DUST
17	90201-12729-00	90201-122A7-00

Catalog Title:
1985 RZ350N/NC/NCII

Block No.
D-11

Block Title:
FRONT FORK

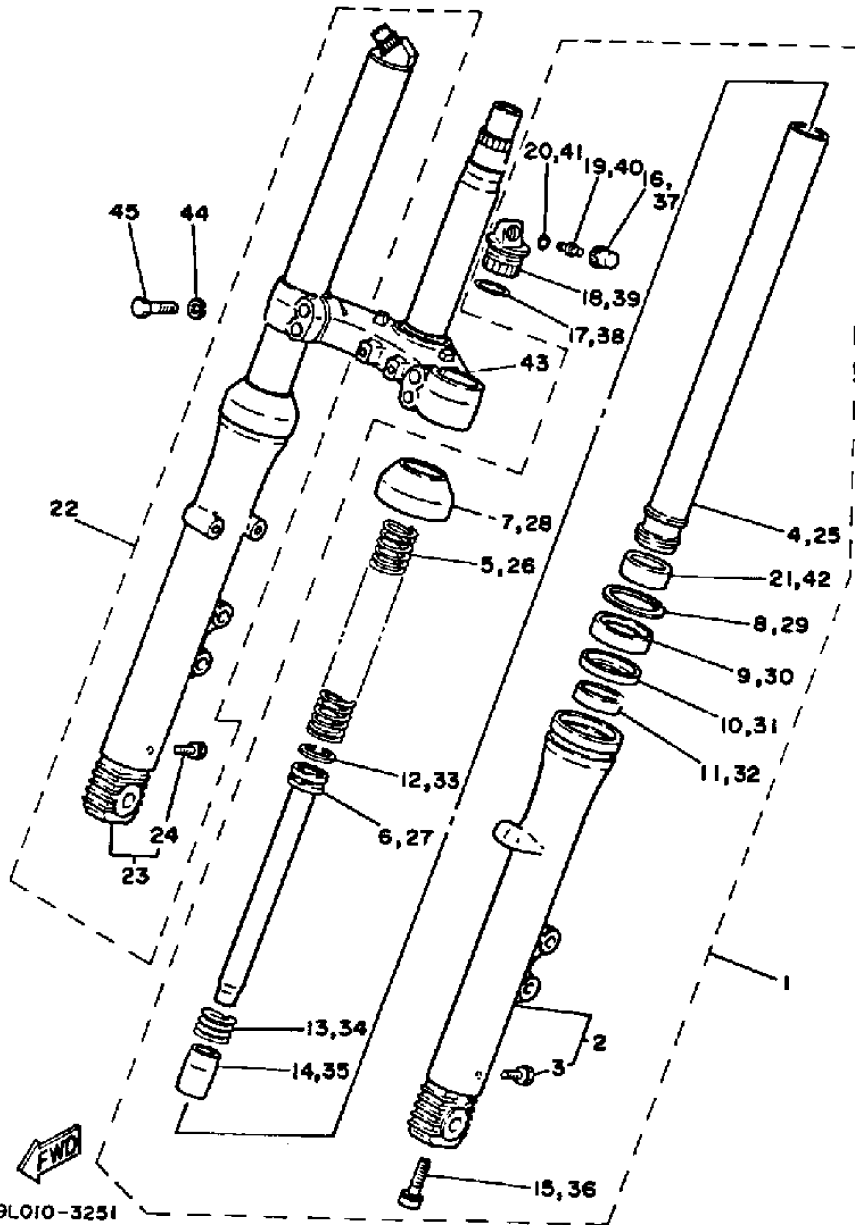


Ref. No.	Part No.	Description
1	31K-23102-01-00	FRONT FORK ASY L
2	29L-23126-00-38	» DISCONTINUED
3	2A6-23119-00-00	» » PLUG,DRAIN
4	31K-23110-00-00	» INNER TUBE 1
5	29L-23141-00-00	» SPRING,FRONT FORK
6	29L-23171-00-00	» 1UA-23171-00-00
7	29L-23144-01-00	» SEAL,DUST
8	34X-23156-00-00	» CLIP,OIL SEAL
9	1UA-23145-00-00	» OIL SEAL
10	10V-23147-00-00	» O-RING
11	12R-23135-00-00	» METAL,SLIDE 2
12	1T4-23157-01-00	» RING,PISTON FRTRFRK
13	10M-23151-00-00	» SPRING,REBOUND
14	10V-23166-00-00	» SPACER,OIL LOCK
15	3M7-23181-00-00	» BOLT,HEX SCKT HEAD
16	27H-23184-00-00	» DISCONTINUED
17	27H-23147-00-00	» O-RING
18	27H-23111-00-00	» BOLT,CAP
19	5K7-23190-00-00	» AIR VALVE
20	3H3-23147-00-00	» 93210-06632-00
21	10V-23135-00-00	» METAL,SLIDE 2
22	31K-23103-01-00	FRONT FORK ASY R
23	29L-23136-00-38	DISCONTINUED
24	2A6-23119-00-00	» » PLUG,DRAIN
25	31K-23110-00-00	» INNER TUBE 1

Catalog Title:
1985 RZ350N/NC/NCII

Block No.
D-11

Block Title:
FRONT FORK

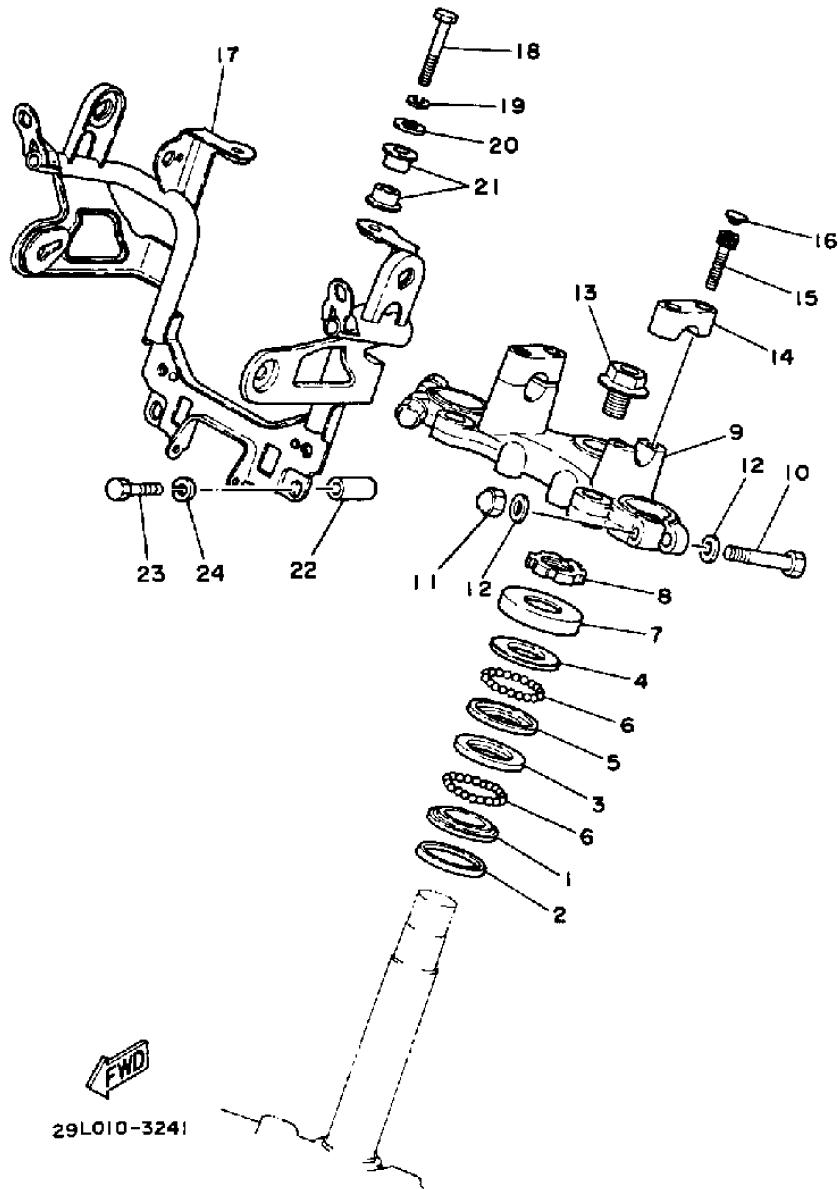


Ref. No.	Part No.	Description
26	29L-23141-00-00	» SPRING,FRONT FORK
27	29L-23171-00-00	» 1UA-23171-00-00
28	29L-23144-01-00	» SEAL,DUST
29	34X-23156-00-00	» CLIP,OIL SEAL
30	1UA-23145-00-00	» OIL SEAL
31	10V-23147-00-00	» O-RING
32	12R-23135-00-00	» METAL,SLIDE 2
33	1T4-23157-01-00	» RING,PISTON FRTRFK
34	10M-23151-00-00	» SPRING,REBOUND
35	10V-23166-00-00	» SPACER,OIL LOCK
36	3M7-23181-00-00	» BOLT,HEX SCKT HEAD
37	27H-23184-00-00	» DISCONTINUED
38	27H-23147-00-00	» O-RING
39	27H-23111-00-00	» BOLT,CAP
40	5K7-23190-00-00	» AIR VALVE
41	3H3-23147-00-00	» 93210-06632-00
42	10V-23135-00-00	» METAL,SLIDE 2
43	31K-23340-30-00	UNDER BRACKET
44	3J3-23159-00-00	WASHER,SPRING LWR
45	97026-08035-00	97027-08035-00

Catalog Title:
1985 RZ350N/NC/NCII

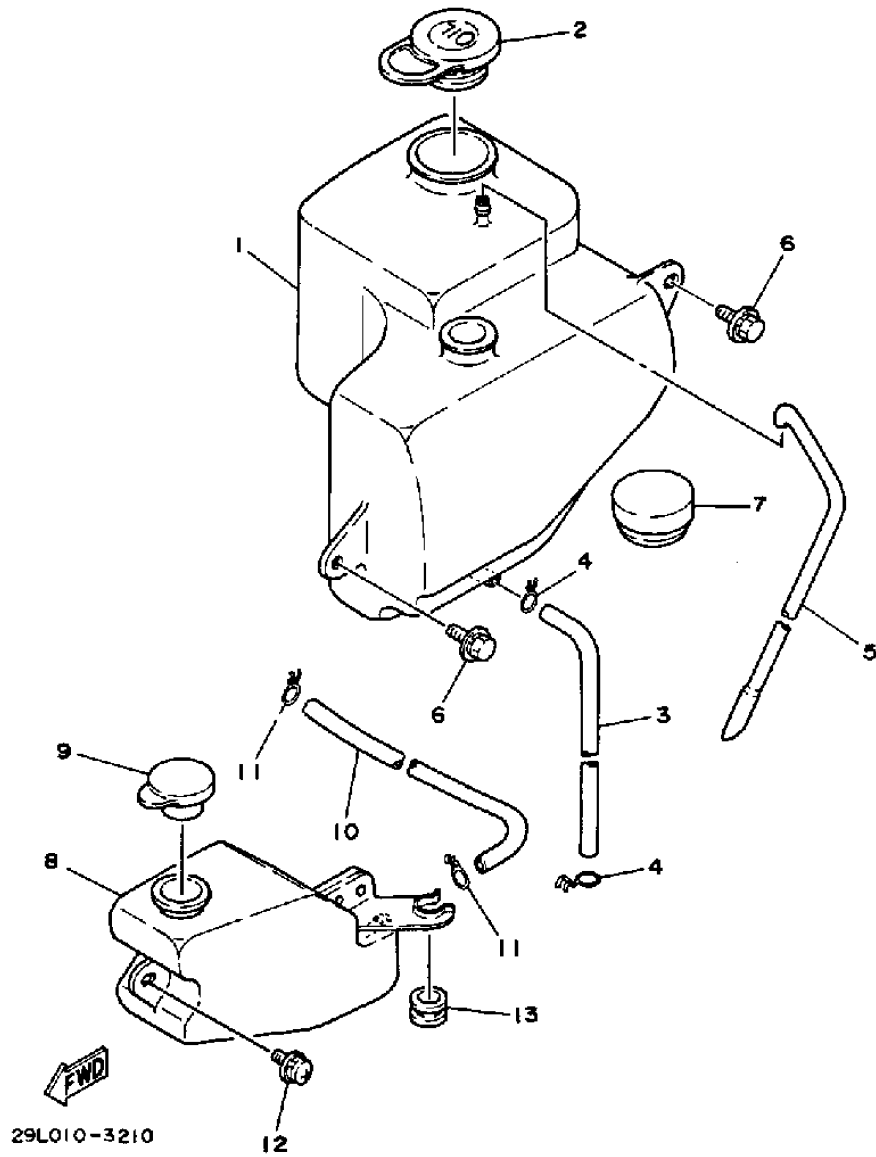
Block No.
E-1

Block Title:
STEERING



Ref. No.	Part No.	Description
1	156-23411-00-00	RACE,BALL 1
2	164-23462-00-00	SEAL,STEERING
3	156-23412-00-00	93399-99942-00
4	183-23411-00-00	93399-99950-00
5	183-23412-00-00	RACE,BALL 2
6	93501-04011-00	BALL 1/4
7	136-23415-00-00	COVER,BALL RACE 1
8	90179-25033-00	NUT,SPEC'L SHAPE
9	29L-23435-00-98	CROWN,HANDLE
10	97026-08050-00	97027-08050-00
11	95306-08800-00	95307-08800-00
12	92906-08600-00	92907-08600-00
13	90105-14102-00	90105-14136-00
14	4H7-23441-00-98	HOLDER,HANDLE UPR
15	91316-08030-00	91317-08030-00
16	341-23469-00-00	CAP,BOLT
17	29L-23174-00-98	STAY,HEADLIGHT
18	97006-06040-00	97007-06040-00
19	92906-06100-00	92907-06100-00
20	90201-06067-00	90201-06765-00
21	584-83541-00-00	DAMPER
22	90387-081U4-00	COLLAR
23	97026-08035-00	97027-08035-00
24	92906-08100-00	92907-08100-00

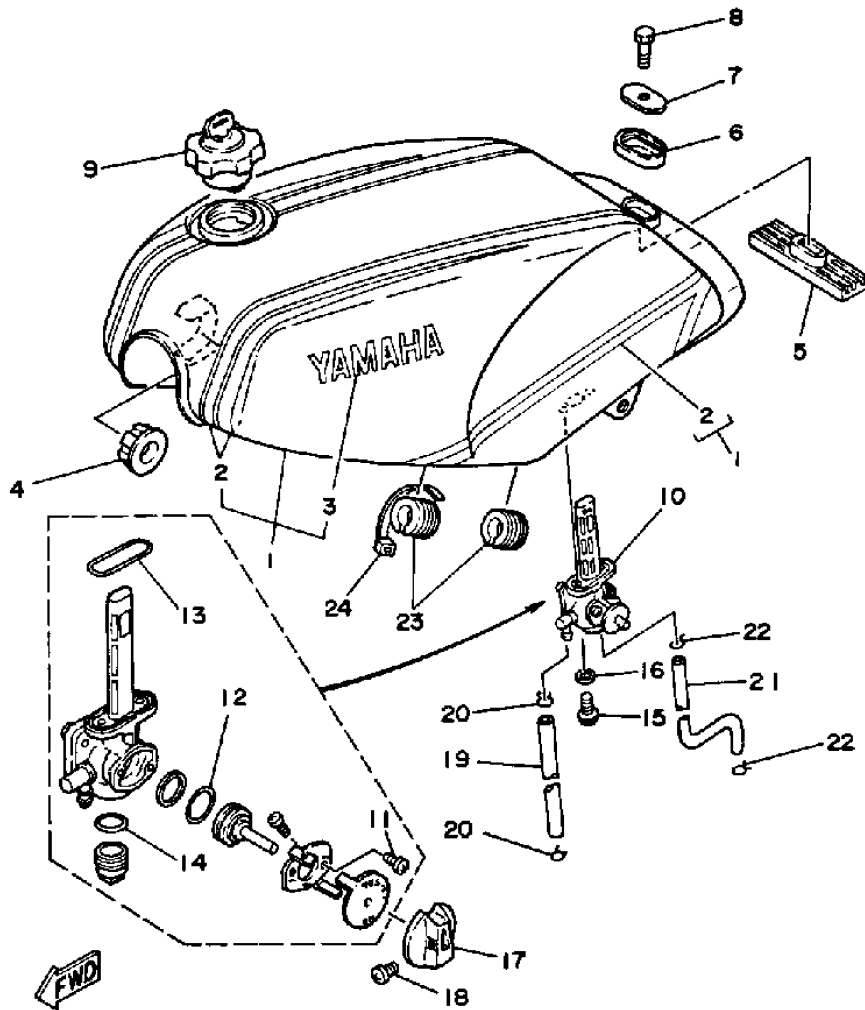
Ref. No.	Part No.	Description
1	29L-21751-01-00	TANK,OIL
2	10V-21771-00-00	BODY,CAP
3	29L-24316-00-00	PIPE 6
4	90467-08003-00	CLIP,SCISSOR
5	29L-24317-00-00	PIPE 7
6	90119-06063-00	BOLT,WITH WASHER
7	29L-21746-00-00	DAMPER
8	29L-21870-00-00	RECOVERY TANK ASSY
9	4L0-21815-01-00	1AA-21815-00-00
10	29L-21766-00-00	PIPE,OIL
11	90467-10008-00	CLIP,SCISSOR
12	90159-06060-00	98507-06016-00
13	90480-12320-00	GROMMET



Catalog Title:
1985 RZ350N/NC/NCII

Block No.
E-3

Block Title:
FUEL TANK (RZ350N)



4&H110-5250

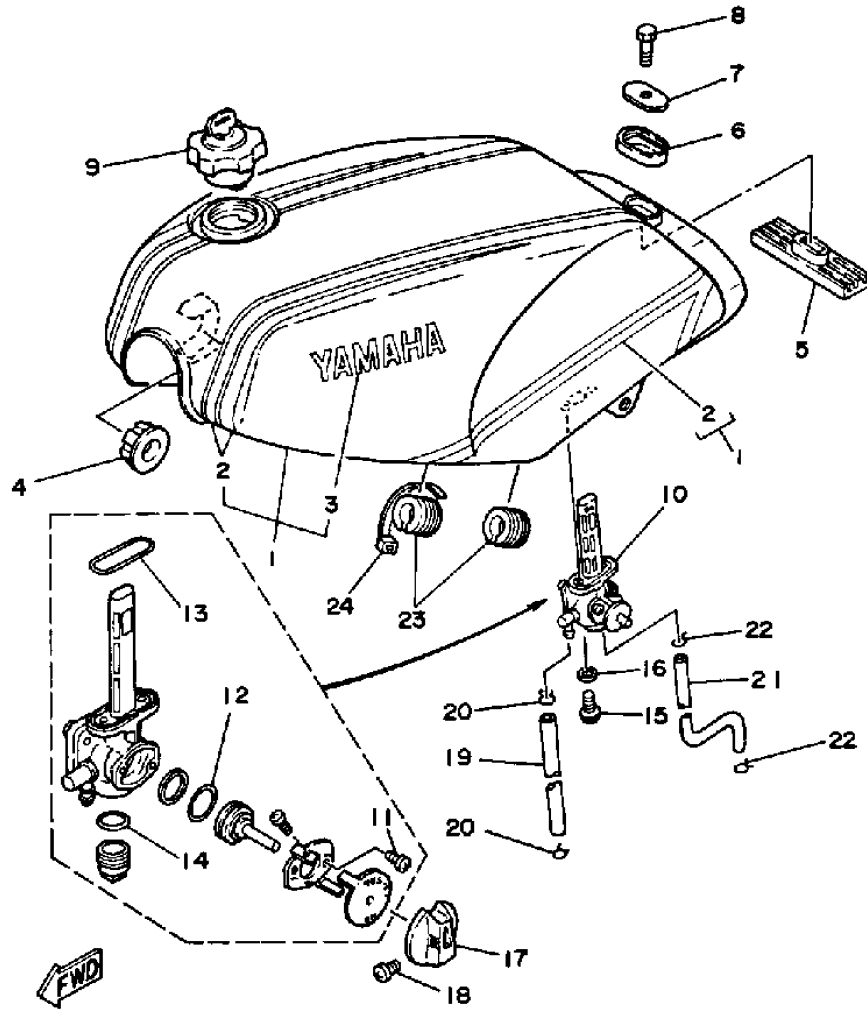
Ref. No.	Part No.	Description
1	48H-24110-01-X1	FUEL TANK
1	48H-24110-01-X4	FUEL TANK
2	29L-24240-50-00	» DISCONTINUED
2	29L-24240-60-00	» DISCONTINUED
3	99224-00040-00	» 99224-00160-00
3	99223-00040-00	» 99223-00160-00
4	278-24181-00-00	3TB-24181-00-00
5	2GH-24184-00-00	DAMPER,LOCATING 4
6	3Y6-24183-00-00	DAMPER,LOCATING 3
7	12R-24186-00-00	WASHER,SPECIAL
8	97313-08030-00	97013-08030-00
9	11H-24602-03-00	CAP ASSY
10	29L-24500-03-00	FUEL COCK ASY 1
11	98580-03008-00	» SCREW,PAN HEAD
12	3H3-24534-00-00	» SEAL,COCK
13	2W6-24512-00-00	» GASKET
14	4X8-24565-00-00	» GASKET
15	90149-06011-00	SCREW,SPEC'L SHAPE
16	90202-05187-00	WASHER,PLATE
17	29L-24524-01-00	LEVER,COCK
18	98506-03008-00	98507-03008-00
19	90445-11542-00	90445-113E8-00
20	90467-10008-00	CLIP,SCISSOR
21	29L-2416A-00-00	HOSE
22	90467-08021-00	CLIP,SCISSOR

Catalog Title:
1985 RZ350N/NC/NCII

Block No.
E-3

Block Title:
FUEL TANK (RZ350N)

Ref. No.	Part No.	Description
23	1J7-24183-02-00	DAMPER,LOCATING 3
24	5Y9-12491-00-00	CLAMP 1

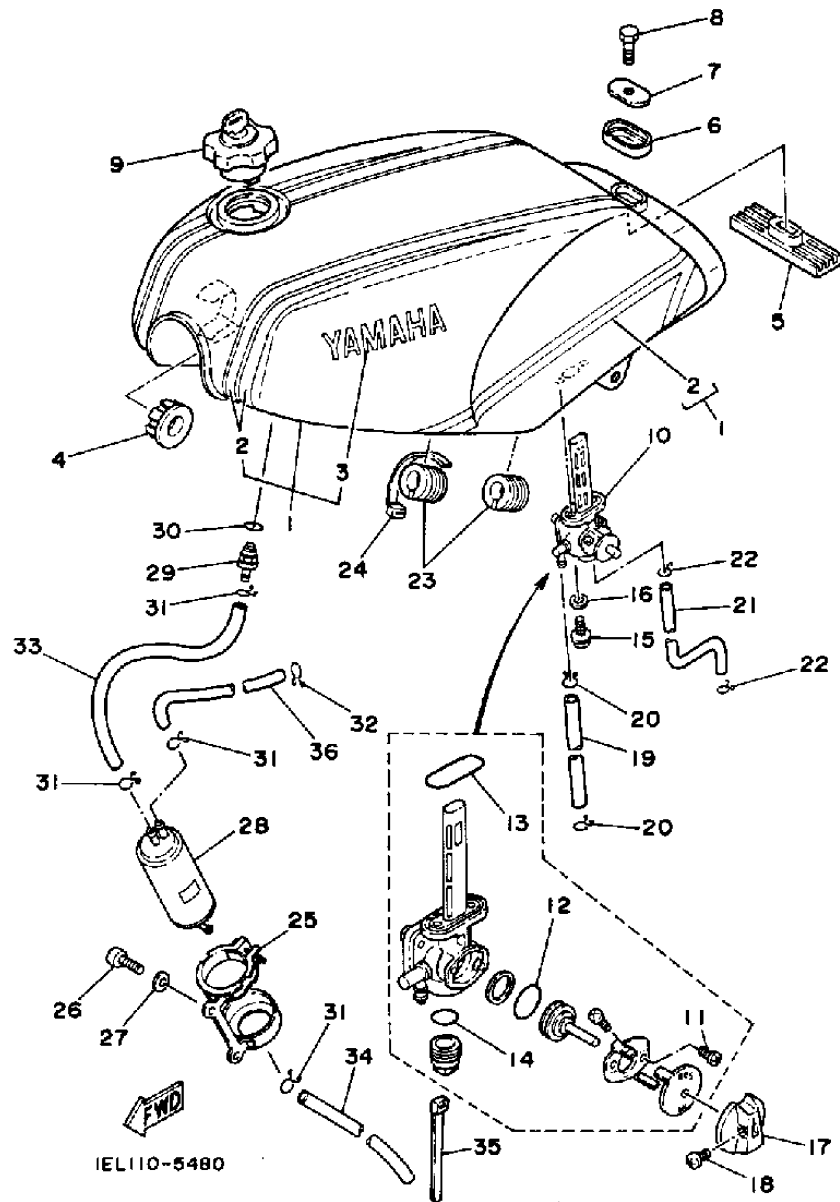


46H110-5250

Catalog Title:
1985 RZ350N/NC/NCII

Block No.
E-4

Block Title:
FUEL TANK (RZ350NC)

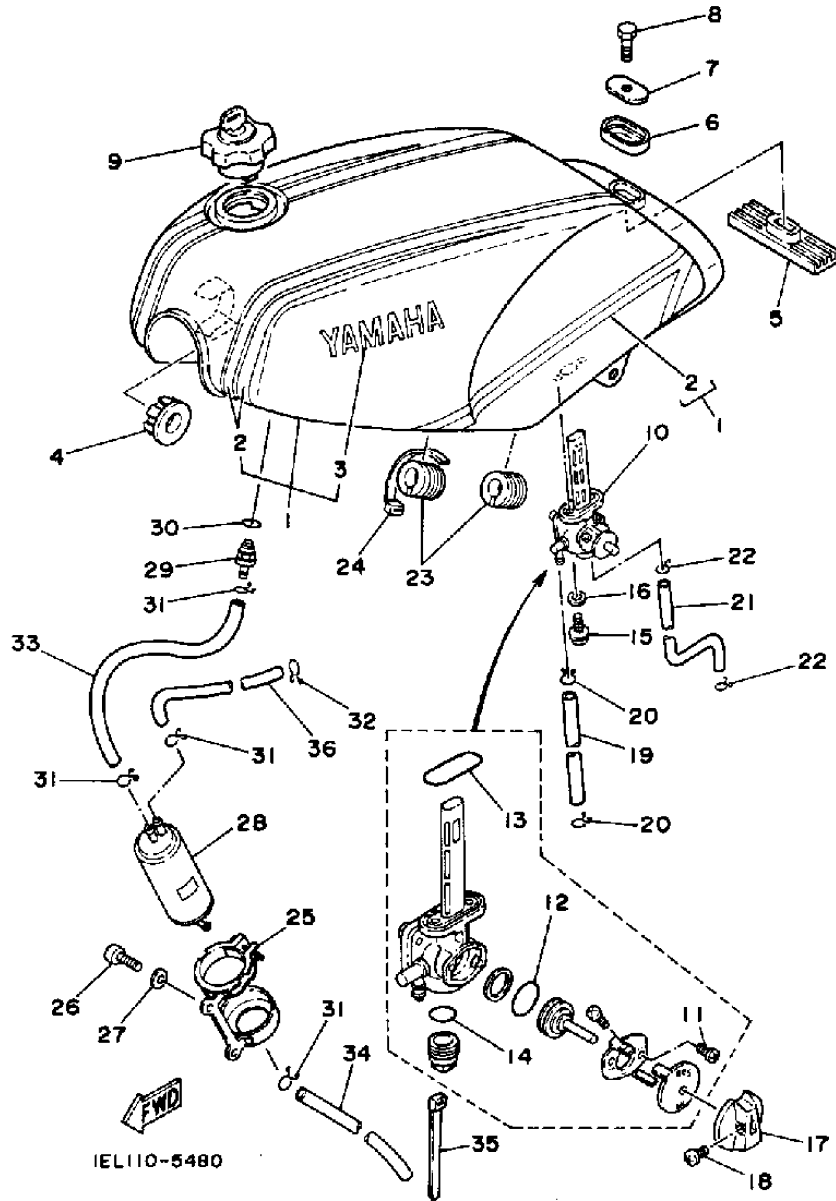


Ref. No.	Part No.	Description
1	1EL-24110-00-X1	FUEL TANK COMP.
1	1EL-24110-00-X2	DISCONTINUED
1	1EL-24110-00-X3	DISCONTINUED
2	29L-24240-50-00	» DISCONTINUED
2	29L-24240-60-00	» DISCONTINUED
2	48H-24240-00-00	» DISCONTINUED
3	99224-00040-00	» 99224-00160-00
3	99223-00040-00	» 99223-00160-00
4	278-24181-00-00	3TB-24181-00-00
5	2GH-24184-00-00	DAMPER,LOCATING 4
6	3Y6-24183-00-00	DAMPER,LOCATING 3
7	12R-24186-00-00	WASHER,SPECIAL
8	97313-08030-00	97013-08030-00
9	51K-24602-01-00	CAP ASSY
10	29L-24500-03-00	FUEL COCK ASY 1
11	98580-03008-00	» SCREW,PAN HEAD
12	3H3-24534-00-00	» SEAL,COCK
13	2W6-24512-00-00	» GASKET
14	4X8-24565-00-00	» GASKET
15	90149-06011-00	SCREW,SPEC'L SHAPE
16	90202-05187-00	WASHER,PLATE
17	29L-24524-01-00	LEVER,COCK
18	98506-03008-00	98507-03008-00
19	90445-11542-00	90445-113E8-00
20	90467-10008-00	CLIP,SCISSOR

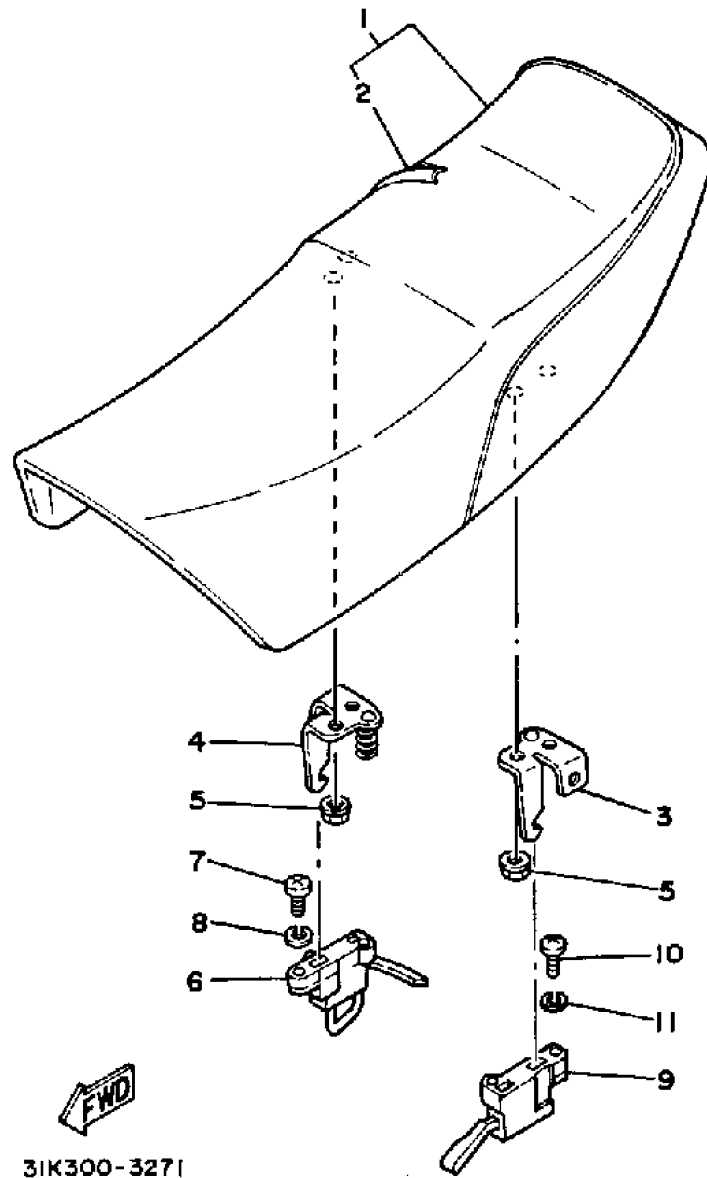
Catalog Title:
1985 RZ350N/NC/NCII

Block No.
E-4

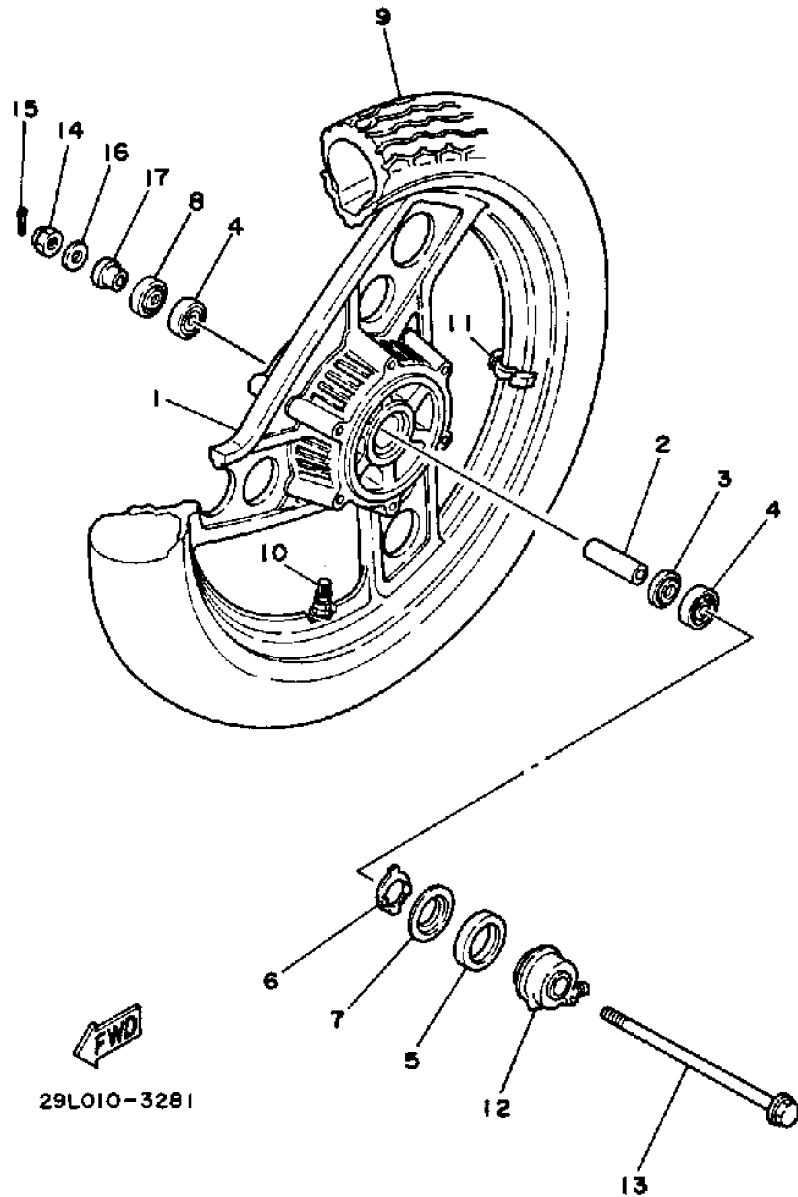
Block Title:
FUEL TANK (RZ350NC)



Ref. No.	Part No.	Description
21	29L-2416A-00-00	HOSE
22	90467-08021-00	CLIP,SCISSOR
23	1J7-24183-02-00	DAMPER,LOCATING 3
24	5Y9-12491-00-00	CLAMP 1
25	1EL-24190-00-00	DISCONTINUED
26	97026-06010-00	97017-06010-00
27	92906-06600-00	92907-06600-00
28	51K-24170-00-00	UNAVAILABLE
29	20K-24180-00-00	ROLL OVER VLV ASSY
30	93210-10166-00	93210-11453-00
31	90467-09006-00	CLIP,SCISSOR
32	90467-11102-00	90467-11106-00
33	90445-102E4-00	DISCONTINUED
34	90445-112E1-00	HOSE
35	5Y9-12491-00-00	CLAMP 1
36	1EL-2416A-00-00	UNAVAILABLE

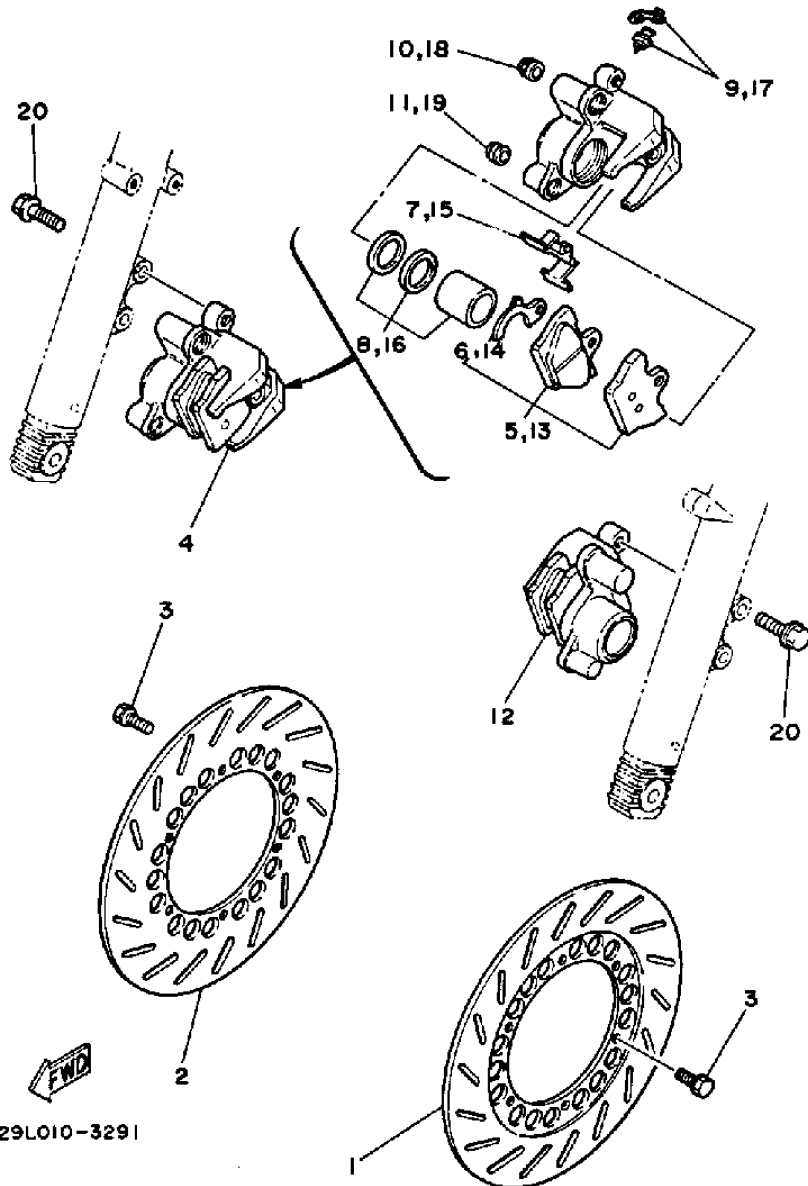


Ref. No.	Part No.	Description
1	31K-W2472-00-00	1AR-24730-10-00
2	31K-24731-00-00	» COVER,DOUBLE SEAT
3	29L-24728-00-00	BRACKET,SEAT
4	29L-24738-00-00	BRACKET,SEAT
5	95701-06500-00	95704-06500-00
6	29L-24705-00-00	SEAT LOCK ASY
7	98503-06014-00	98507-06014-00
8	92995-06100-00	WASHER
9	31A-24760-00-00	SEAT LEVER ASY
10	98503-06014-00	98507-06014-00
11	92995-06100-00	WASHER



Ref. No.	Part No.	Description
1	29L-25168-00-8L	DISCONTINUED
2	90387-123A9-00	COLLAR
3	109-25315-00-00	FLANGE, SPACER
4	93306-30109-00	93306-30102-00
5	93105-45017-00	OIL SEAL, SDD-TYPE
6	341-24149-00-00	UNAVAILABLE
7	341-25846-00-00	RETAINER, CLUTCH
8	93106-20033-00	OIL SEAL (3TU)
9	94109-181F5-00	DISCONTINUED
10	93900-00003-00	93900-00031-00
11	29L-25398-00-00	BALANCER, WHEEL
11	29L-25398-10-00	BALANCER, WHEEL
11	29L-25398-20-00	BALANCER, WHEEL
12	4L0-25190-00-00	4L0-25190-01-00
13	4L0-25181-00-00	AXLE, WHEEL
14	90171-12005-00	90171-12039-00
15	91401-30030-00	91490-30030-00
16	92990-12200-00	WASHER
17	90387-127E0-00	COLLAR

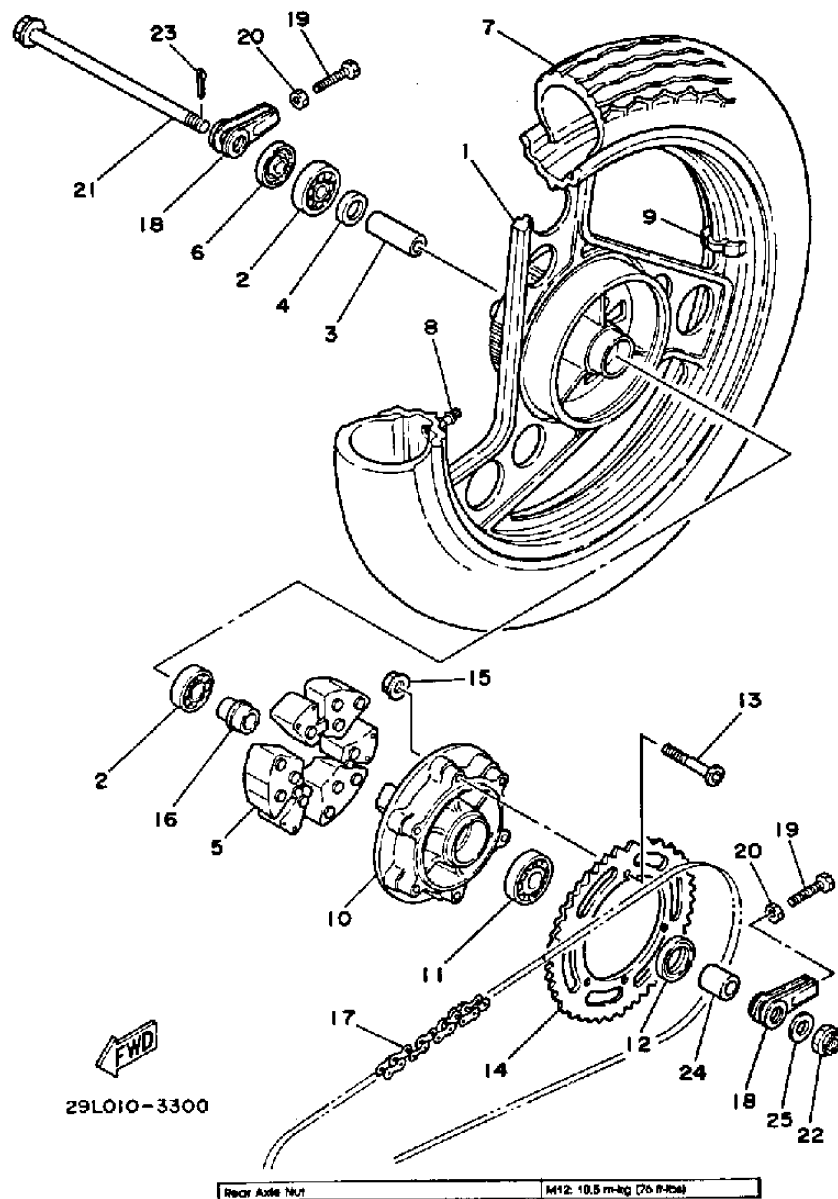
Ref. No.	Part No.	Description
1	29L-25831-30-00	DISC, BRAKE L(GOLD)
2	29L-25831-20-00	DISC, BRAKE R(GOLD)
3	90109-08718-00	BOLT
4	29L-2581U-00-00	UNAVAILABLE
5	43F-W0045-01-00	» BRAKE PAD KIT, FRO
6	11U-25827-00-00	» » SHIM, CALIPER
7	11H-25919-00-00	» SUPPORT, PAD
8	4X8-W0057-00-00	» PISTON ASY, CALIPER
9	51L-W0048-00-00	» BLEED SCREW KIT
10	4X8-25917-00-00	» BOOT, CALIPER
11	5R2-25937-00-00	» BOOT 2
12	29L-2580T-00-00	CALIPER ASSY(LEFT)
13	43F-W0045-01-00	» BRAKE PAD KIT, FRO
14	11U-25827-10-00	» » SHIM, CALIPER
15	11H-25919-00-00	» SUPPORT, PAD
16	4X8-W0057-00-00	» PISTON ASY, CALIPER
17	51L-W0048-00-00	» BLEED SCREW KIT
18	4X8-25917-00-00	» BOOT, CALIPER
19	5R2-25937-00-00	» BOOT 2
20	90105-10259-00	90105-10638-00



Catalog Title:
1985 RZ350N/NC/NCII

Block No.
E-9

Block Title:
REAR WHEEL

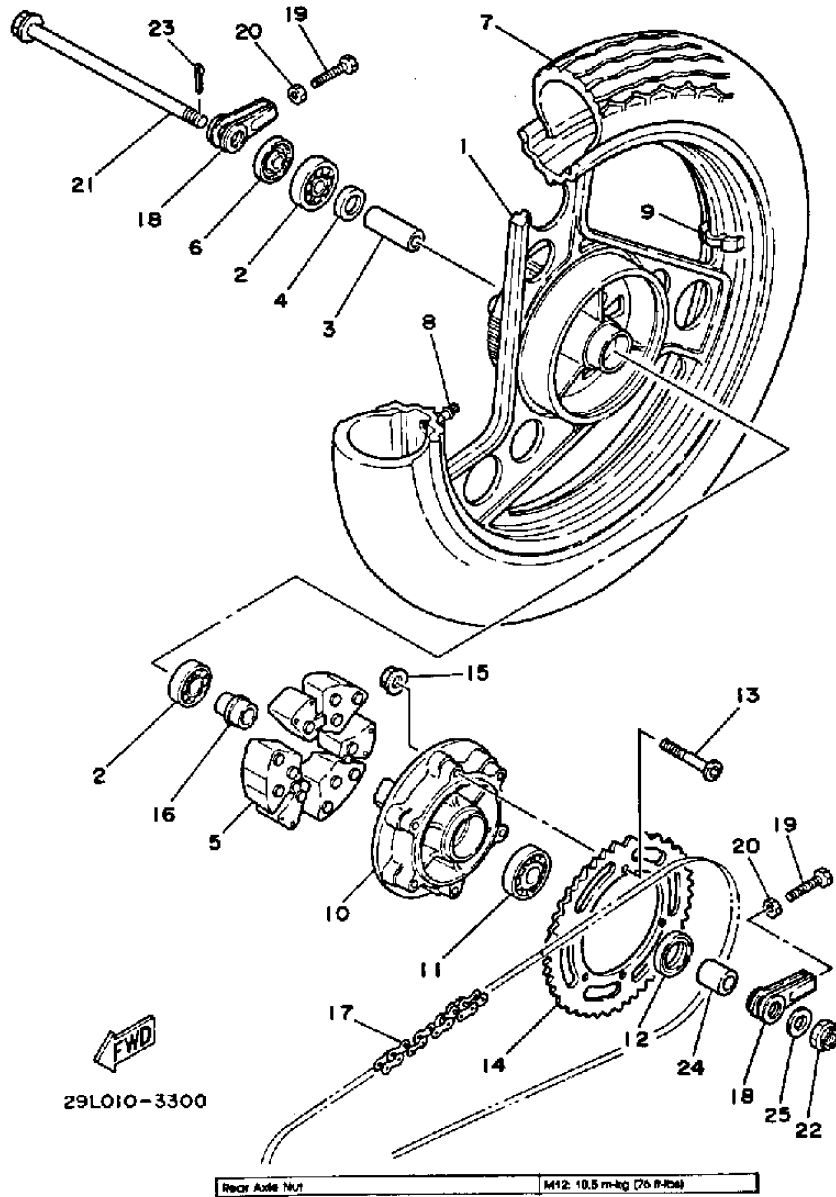


Ref. No.	Part No.	Description
1	29L-25338-20-8L	DISCONTINUED
2	93306-30202-00	BEARING
3	90387-154A0-00	COLLAR
4	146-25115-00-00	FLANGE, SPACER 1
5	29L-25364-00-00	DAMPER
6	93102-22014-00	OIL SEAL, SD-TYPE
7	94111-187M6-00	94111-184J3-00
8	93900-00003-00	93900-00031-00
9	29L-25398-00-00	BALANCER, WHEEL
9	29L-25398-10-00	BALANCER, WHEEL
9	29L-25398-20-00	BALANCER, WHEEL
10	1JK-25366-00-00	CLUTCH, HUB
11	93306-30416-00	BEARING
12	93102-32298-00	OIL SEAL, SD-TYPE
13	90110-08057-00	90110-08094-00
14	31K-25440-20-00	SPROCKET, DRVN 40T
15	95601-08200-00	95617-08200-00
16	4L0-25377-00-00	COLLAR, WHEEL
17	94580-93106-00	94581-08106-00
18	4L0-25389-00-00	PULLER, CHAIN 2
19	90101-08699-00	90101-08777-00
20	95303-08700-00	95304-08700-00
21	29L-25381-00-00	AXLE, WHEEL
22	90171-14020-00	90171-14056-00
23	91401-30030-00	91490-30030-00

Catalog Title:
1985 RZ350N/NC/NCII

Block No.
E-9

Block Title:
REAR WHEEL



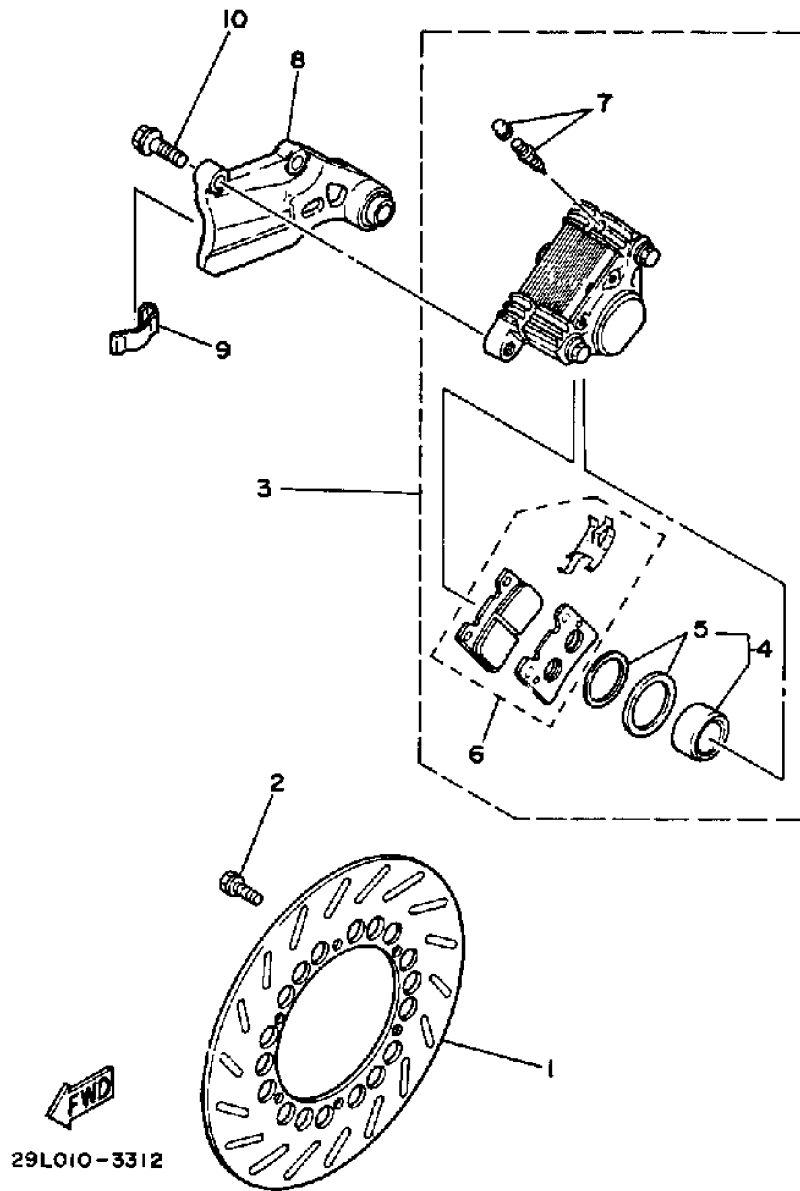
Ref. No.	Part No.	Description
24	90387-156L5-00	COLLAR
25	92990-14200-00	WASHER

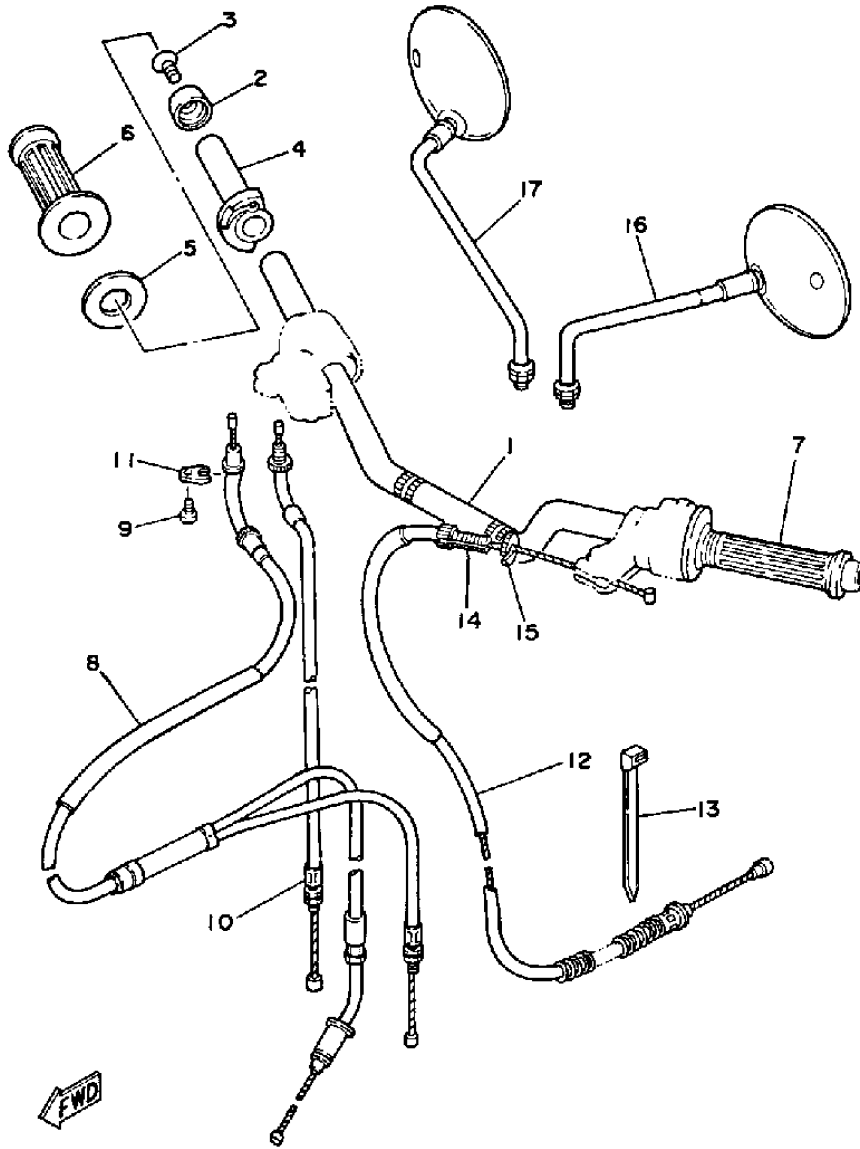
Catalog Title:
1985 RZ350N/NC/NCII

Block No.
E-10

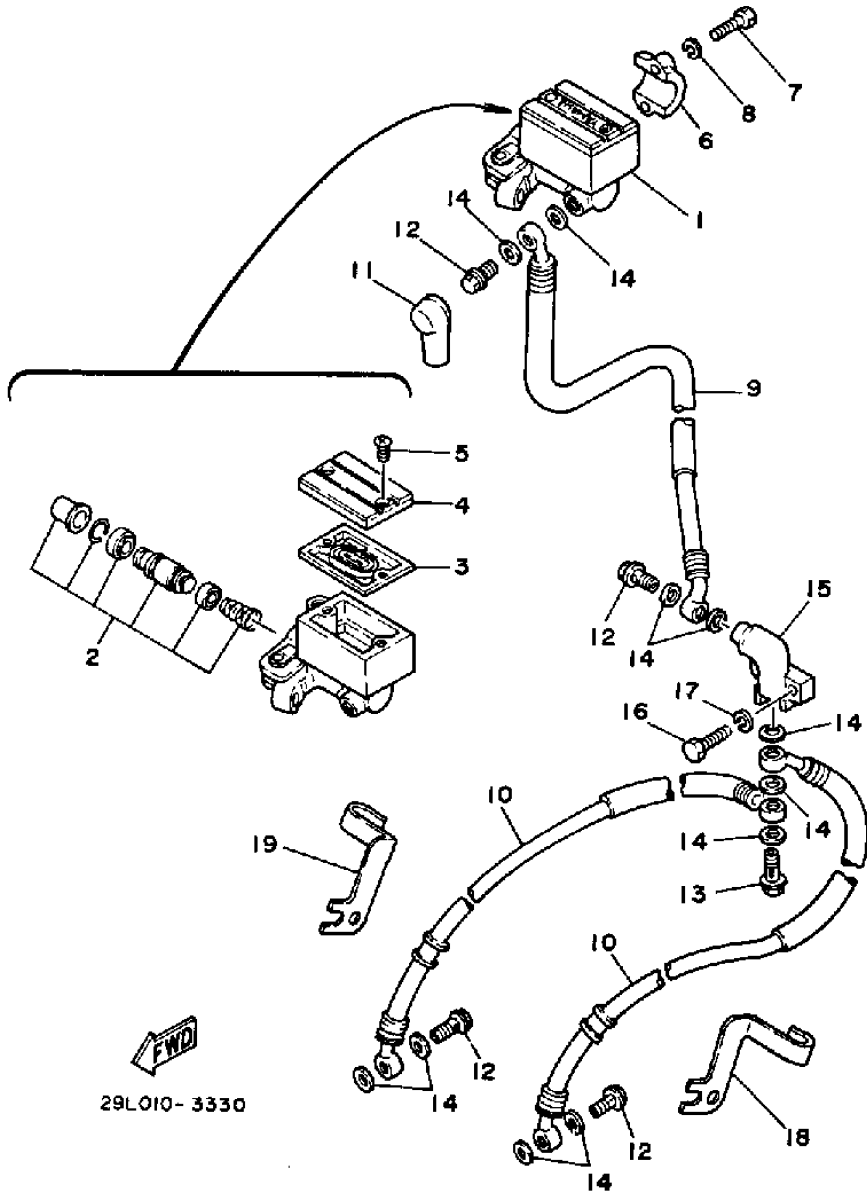
Block Title:
REAR BRAKE CALIPER

Ref. No.	Part No.	Description
1	29L-25831-20-00	DISC,BRAKE R(GOLD)
2	90109-08718-00	BOLT
3	29L-25810-51-00	UNAVAILABLE
4	26H-W0057-00-00	» PISTON ASY,CALIPER
5	26H-W0047-00-00	» » CALIPER SEAL KIT
6	1FK-W0046-01-00	» BRAKE PAD KIT,REAR
7	1J3-W0048-00-00	» BLEED SCREW KIT
8	29L-25819-00-98	DISCONTINUED
9	33M-25927-00	UNAVAILABLE
10	90105-10259-00	90105-10638-00





Ref. No.	Part No.	Description
1	29L-26111-00-00	HANDLEBAR
2	29L-26246-00-00	END,GRIP
3	98706-06030-00	98707-06030-00
4	36Y-26243-00-00	TUBE,THRTL GUIDE
5	2H7-26249-00-00	3Y1-26249-00-00
6	31A-26242-00-00	GRIP RH
7	31A-26241-00-00	GRIP LH
8	48H-26260-00-00	CBLE ASY,THRTL/PMP
9	98506-05008-00	98507-05008-00
10	48H-26312-00-00	CABLE,THROTTLE 2
11	5H0-26393-00-00	HOLDER
12	29L-26335-00-00	5A8-26335-09-00
13	5Y9-12491-00-00	CLAMP 1
14	90123-08083-00	90123-08046-00
15	90179-08316-00	90179-08148-00
16	4L0-26280-10-00	10W-26280-10-00
17	4L0-26290-00-00	10W-26290-00-00

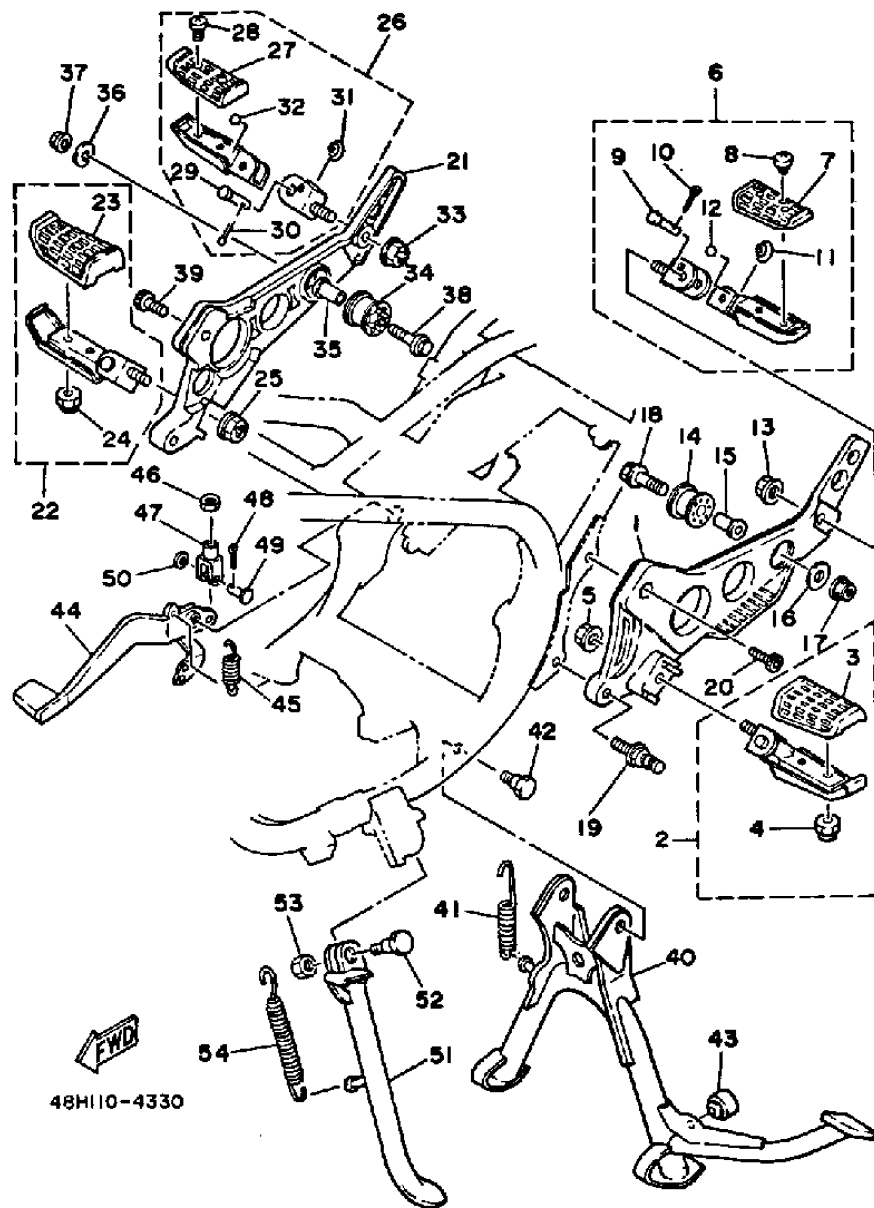


Ref. No.	Part No.	Description
1	4G0-25850-01-00	MSTR CYLINDER ASY
2	4K0-W0041-00-00	» 4K0-W0041-50-00
3	4K0-25854-00-00	» 4HM-25854-00-00
4	3GM-25852-01-00	» CAP,RESERVOIR
5	98706-04012-00	» 98707-04012-00
6	4L0-25867-00-00	BRACKET,MASTER CYL
7	97016-06025-00	97017-06025-00
8	92906-06100-00	92907-06100-00
9	29L-25872-01-00	HOSE, BRAKE 1
10	29L-25873-01-00	HOSE,BRAKE 2
11	4L0-25862-00-00	4L0-25862-01-00
12	90401-10034-00	90401-10159-00
13	90401-10044-00	90401-10160-00
14	90201-10118-00	WASHER,PLATE
15	1J7-25885-01-00	JOINT
16	97016-06025-00	97017-06025-00
17	92906-06100-00	92907-06100-00
18	11H-25875-10-00	HOLDER,BRKE HOSE 1
19	11U-25875-00-00	HOLDER,BRKE HOSE 1

Catalog Title:
1985 RZ350N/NC/NCII

Block No.
F-1

Block Title:
STAND - FOOTREST

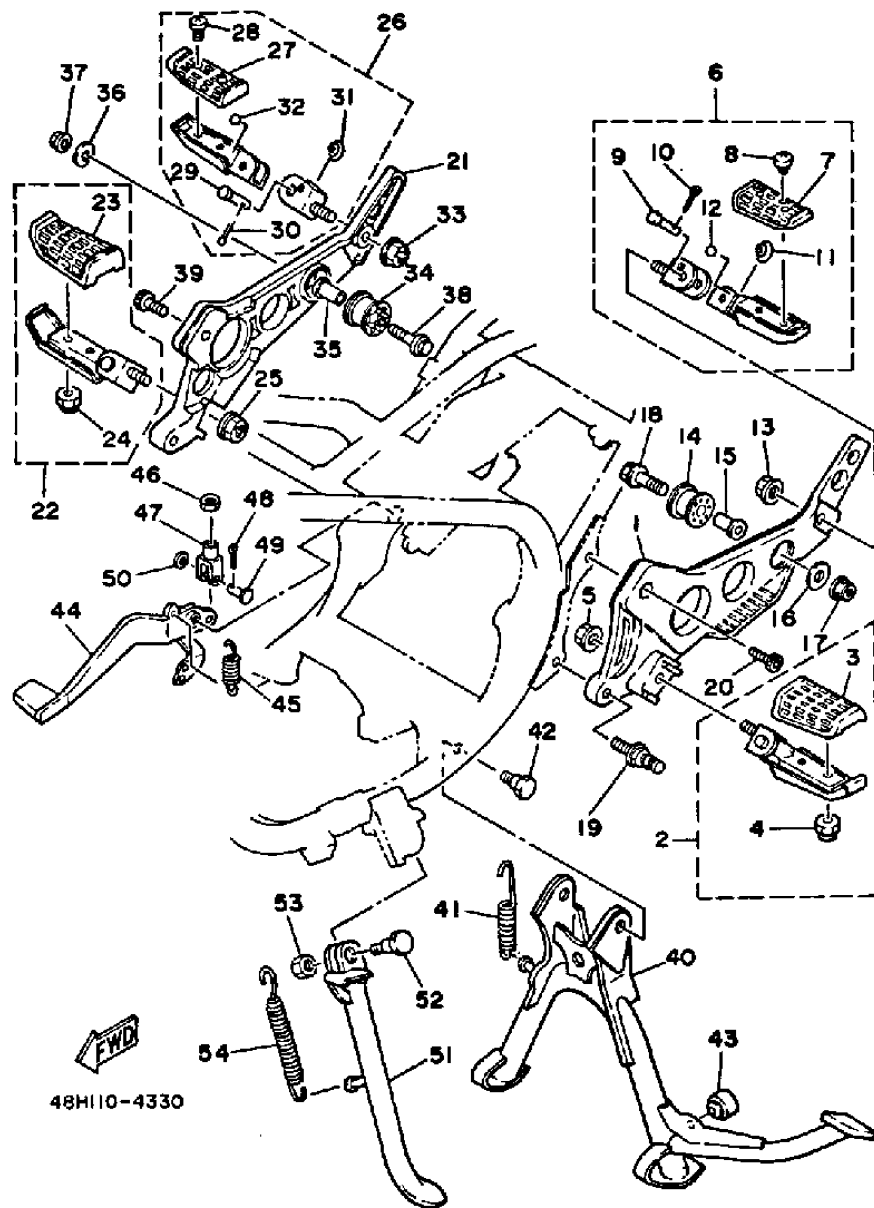


Ref. No.	Part No.	Description
1	29L-27442-01-00	BRACKET 2
2	33M-27410-01-00	FRT FOOTREST ASY L
3	22N-27413-00-00	» COVER,FOOTREST
4	95601-06100-00	» 95617-06100-00
5	95701-10500-00	95704-10500-00
6	29L-27430-00-00	RR FOOTREST ASY 1
7	22N-27433-00-00	» COVER,RR FOOTREST
8	98506-05010-00	» 98507-05010-00
9	91701-06035-00	» PIN,CLEVIS
10	91490-16020-00	» PIN, COTTER
11	90501-16761-00	» SPRING,COMPRESSION
12	93501-04011-00	» BALL 1/4
13	95701-10500-00	95704-10500-00
14	48H-27414-00-00	DAMPER,FOOTREST
15	90387-084L1-00	COLLAR
16	90201-080E4-00	WASHER,PLATE
17	90185-08097-00	90185-08146-00
18	90105-08310-00	95814-08045-00
19	90109-10754-00	BOLT
20	91311-10025-00	91314-10025-00
21	29L-27443-01-00	BRACKET 3
22	33M-27420-01-00	FRT FOOTREST ASY R
23	22N-27413-00-00	» COVER,FOOTREST
24	95601-06100-00	» 95617-06100-00
25	95701-10500-00	95704-10500-00

Catalog Title:
1985 RZ350N/NC/NCII

Block No.
F-1

Block Title:
STAND - FOOTREST

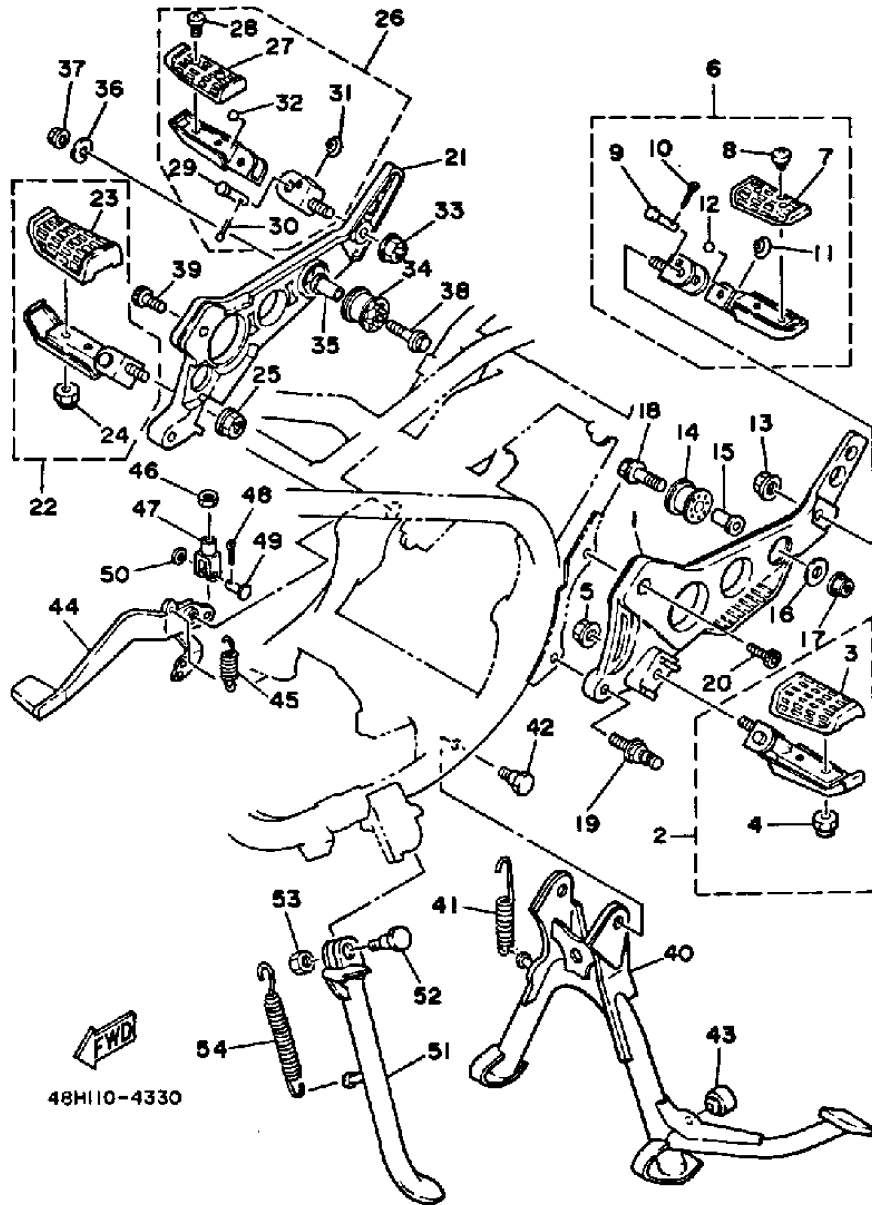


Ref. No.	Part No.	Description
26	29L-27440-00-00	RR FOOTREST ASY 2
27	22N-27433-00-00	» COVER,RR FOOTREST
28	98506-05010-00	» 98507-05010-00
29	91701-06035-00	» PIN,CLEVIS
30	91490-16020-00	» PIN, COTTER
31	90501-16761-00	» SPRING,COMPRESSION
32	93501-04011-00	» BALL 1/4
33	95701-10500-00	95704-10500-00
34	48H-27414-00-00	DAMPER,FOOTREST
35	90387-084L1-00	COLLAR
36	90201-080E4-00	WASHER,PLATE
37	90185-08097-00	90185-08146-00
38	90105-08310-00	95814-08045-00
39	91311-10025-00	91314-10025-00
40	29L-27111-01-R4	DISCONTINUED
41	90506-35349-00	SPRING,TENSION
42	90109-10737-00	BOLT
43	1A0-27114-00-00	STOPPER,MAIN STAND
44	51L-27200-00-00	PEDAL,BRAKE
45	90405-20192-00	UNAVAILABLE
46	95303-08700-00	95304-08700-00
47	1J3-27222-01-00	47X-27222-00-00
48	91490-16020-00	PIN, COTTER
49	90240-08013-00	PIN,CLEVIS
50	90201-08083-00	WASHER,PLATE

Catalog Title:
1985 RZ350N/NC/NCII

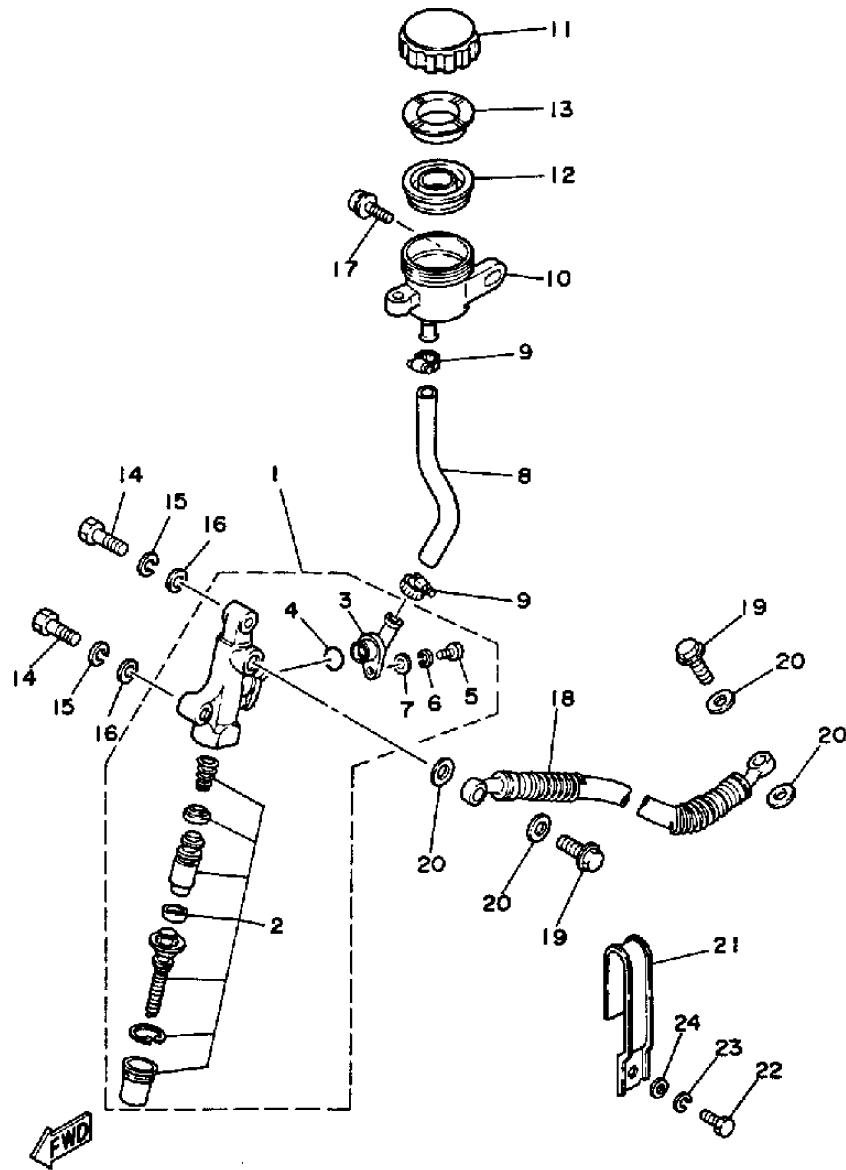
Block No.
F-1

Block Title:
STAND - FOOTREST



Ref. No.	Part No.	Description
51	33E-27311-00-33	STAND, SIDE
52	90109-10590-00	90109-103A1-00
53	90185-10037-00	90185-10091-00
54	90507-29032-00	SPRING, TENSION

48H110-4330



29L010-3351

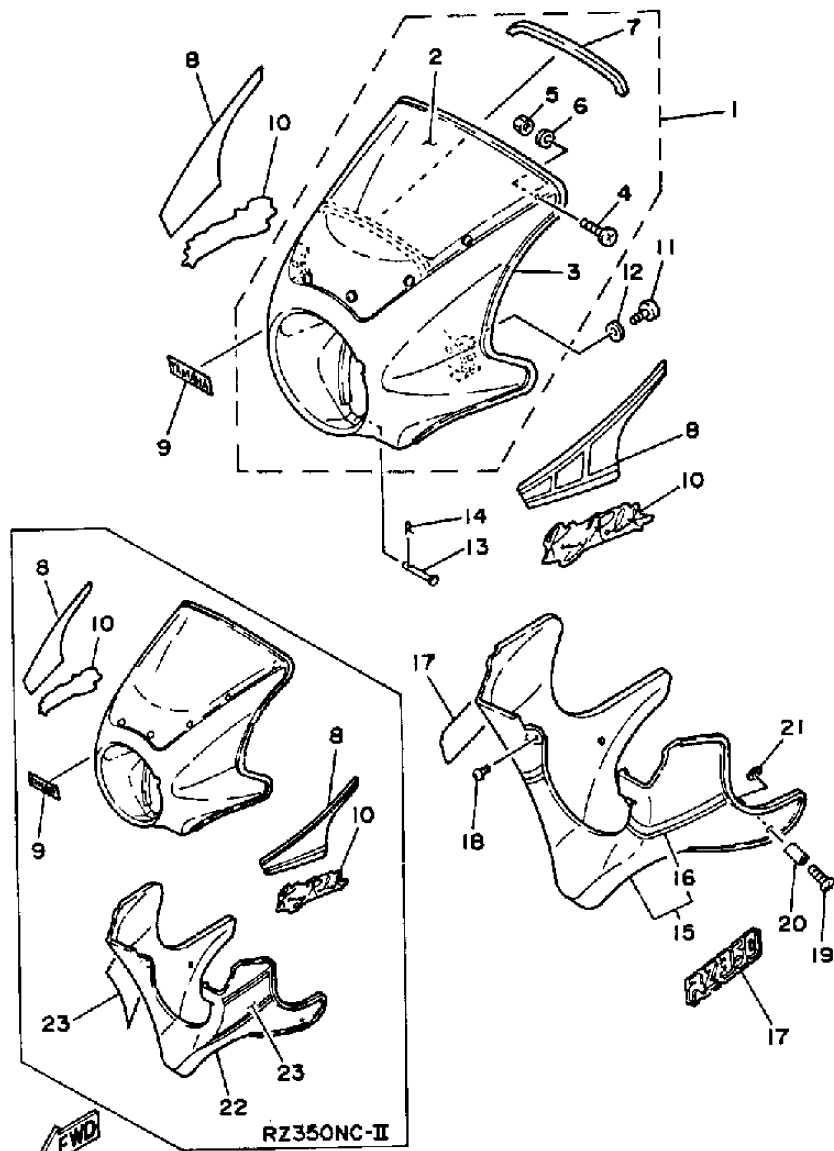
Ref. No.	Part No.	Description
1	29L-25850-51-00	MASTER CYLINDER AS
2	29L-W0042-50-00	» 4GY-W0042-00-00
3	29L-2582A-50-00	» CONNECTOR
4	93210-15620-00	» 93210-15566-00
5	98511-04012-00	» 98517-04012-00
6	92990-04200-00	» WASHER
7	92990-04200-00	» WASHER
8	29L-25895-00-00	HOSE,RESERVOIR
9	90460-12268-00	CLAMP, HOSE
10	1A1-25894-01-00	TANK,RESERVOIR
11	2KF-25852-50-00	CAP,RESERVOIR
12	360-25854-00-00	360-25854-01-00
13	2GU-25855-01-00	UNAVAILABLE
14	97016-08030-00	97017-08030-00
15	92906-08100-00	92907-08100-00
16	92906-08600-00	92907-08600-00
17	90159-06056-00	98517-06020-00
18	29L-25872-51-00	HOSE BRAKE 1
19	90401-10034-00	90401-10159-00
20	90201-10118-00	WASHER,PLATE
21	29L-25875-00-00	UNAVAILABLE
22	97026-06012-00	97027-06012-00
23	92906-06100-00	92907-06100-00
24	92906-06600-00	92907-06600-00

Catalog Title:
1985 RZ350N/NC/NCII

Block No.
F-5

Block Title:
FAIRING - COWLING

Ref. No.	Part No.	Description
1	48H-28350-10-26	COWLING ASY
1	48H-28350-10-36	DISCONTINUED
2	33E-28381-00-00	» WINDSHIELD
3	29L-28376-00-00	» TRIM
4	90157-04062-00	» SCREW,PAN HEAD
5	95306-04600-00	» 95307-04600-00
6	90201-047A2-00	» WASHER,PLATE
7	29L-28217-00-00	» DAMPER 1
8	29L-28390-70-00	DISCONTINUED
8	29L-28390-80-00	DISCONTINUED
8	48H-28390-00-00	DISCONTINUED
9	99234-00020-00	99234-00080-00
9	46X-2163G-10-00	DISCONTINUED
10	48H-28328-00-00	DISCONTINUED
10	48H-28328-10-00	DISCONTINUED
11	98580-08012-00	SCREW,PAN HEAD
12	92906-08100-00	92907-08100-00
13	91701-05060-00	PIN,CLEVIS
14	90468-10050-00	CLIP
15	48H-W2839-00-5X	DISCONTINUED
15	48H-W2839-00-6X	DISCONTINUED
15	48H-28385-00-36	DISCONTINUED
16	29L-28301-00-00	» GRAHIC SET,LWR CVR
16	29L-28301-10-00	» DISCONTINUED
16	48H-28301-00-00	UNAVAILABLE



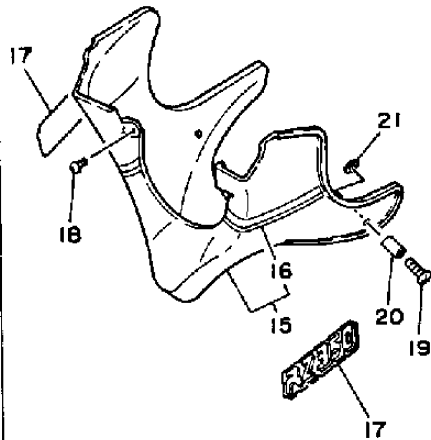
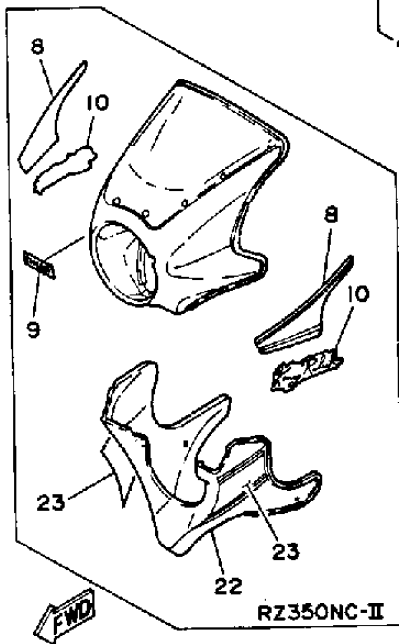
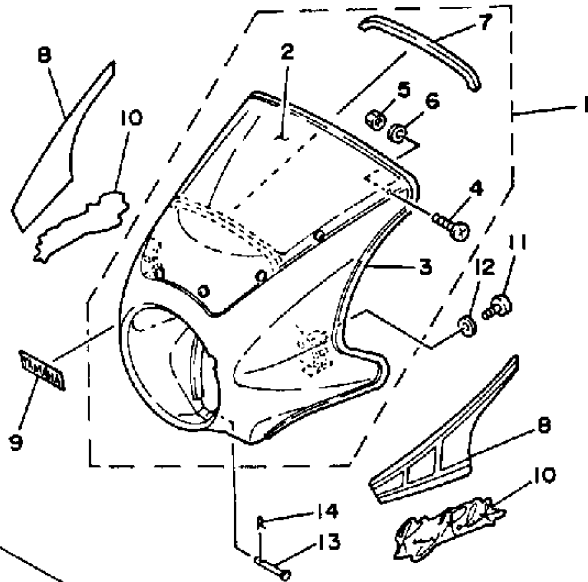
IEL 10 - 5350

Catalog Title:
1985 RZ350N/NC/NCII

Block No.
F-5

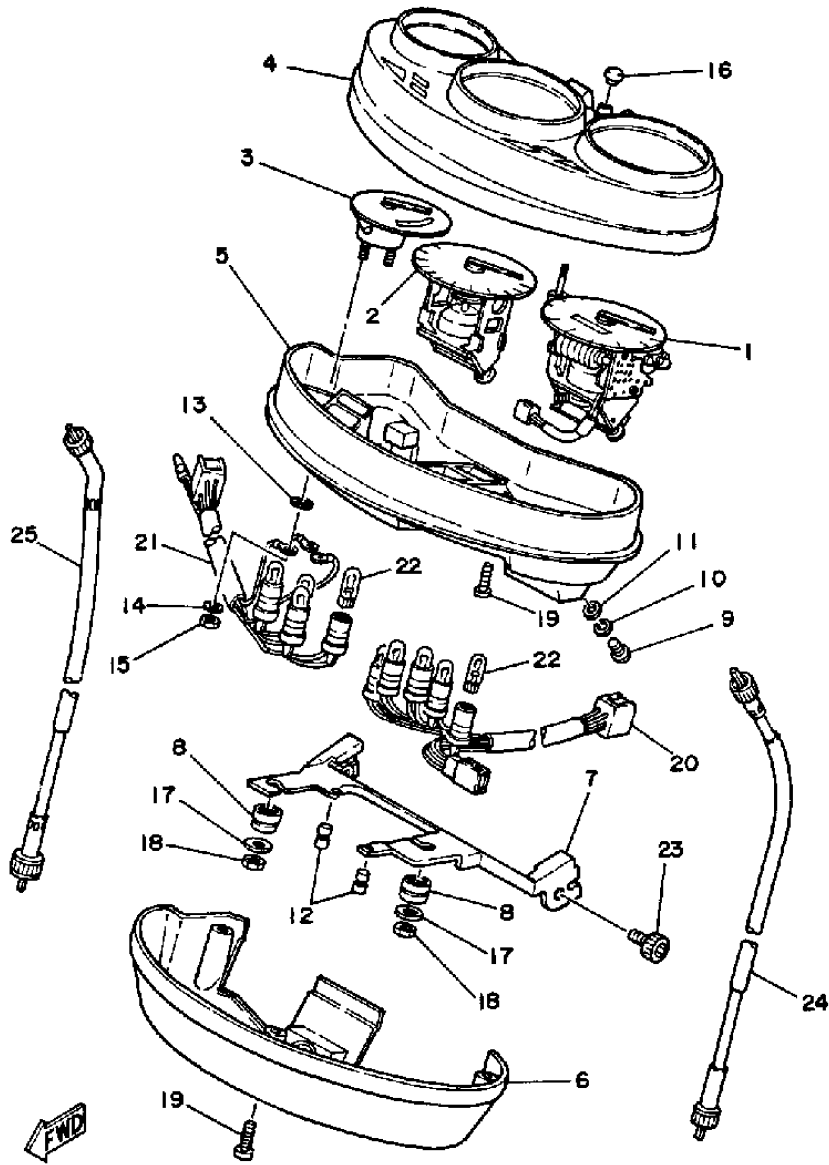
Block Title:
FAIRING - COWLING

Ref. No.	Part No.	Description
17	35G-2839H-20-00	DISCONTINUED
17	35G-2839H-30-00	DISCONTINUED
18	90154-05059-00	SCREW,BINDING(3XV)
19	90110-06078-00	90110-06200-00
20	90387-06701-00	COLLAR
21	90202-11161-00	WASHER,PLATE
22	1EL-2848L-00-00	SEAT 3 RIGHT
23	1EL-2848K-00-00	SEAT 2 LEFT

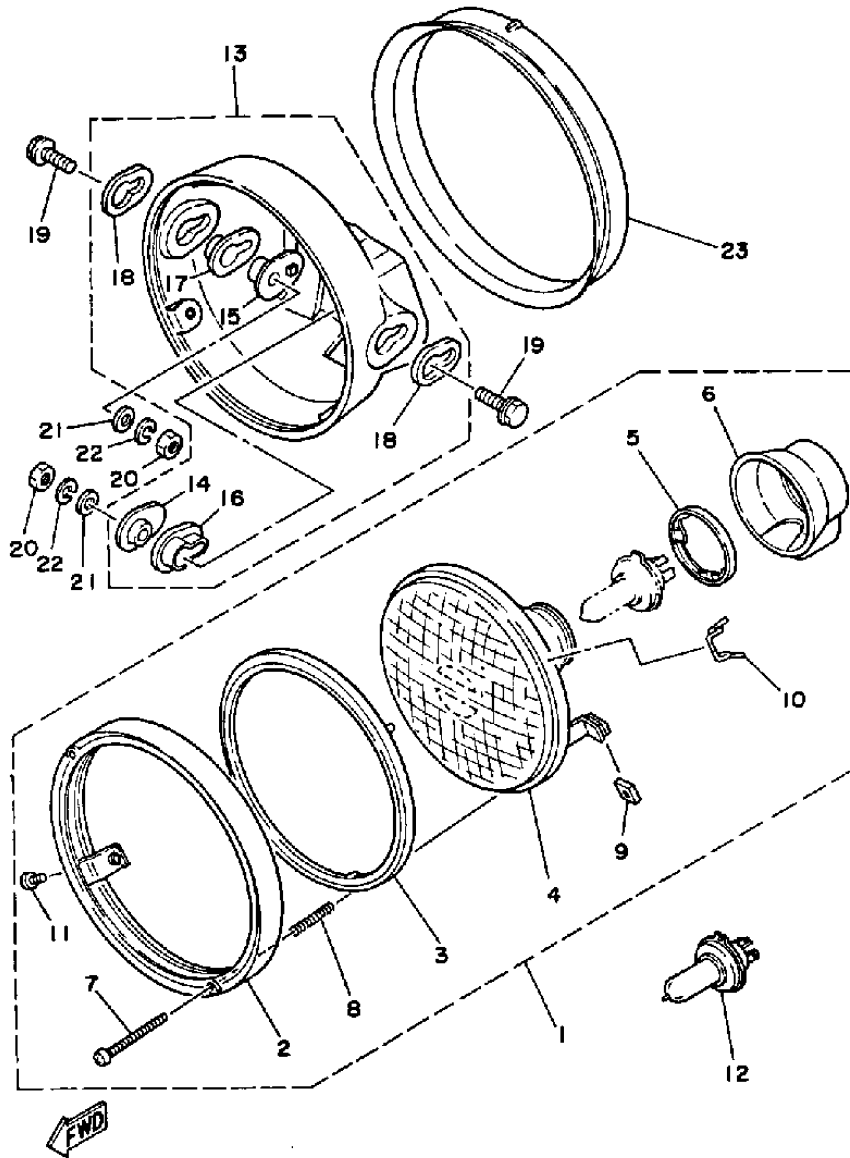


1EL110-5350

Ref. No.	Part No.	Description
1	31K-83570-G1-00	DISCONTINUED
2	29L-83540-00-00	TACHOMETER ASSY
3	29L-83590-00-00	WATER TEMP METER
4	48H-83559-00-00	COVER,METER
5	31K-8353H-00-00	DISCONTINUED
6	29L-83579-00-00	COVER,METER 2
7	29L-83519-00-00	BRACKET,METER
8	4X7-83523-00-00	DAMPER
9	98580-04010-00	SCREW,PAN HEAD
10	92901-04600-00	92990-04600-00
11	92901-04600-00	92990-04600-00
12	29L-83523-00-00	DAMPER
13	92902-03600-00	92907-03600-00
14	92990-03100-00	WASHER,SPRING
15	95301-03700-00	NUT
16	29L-83578-00-00	KNOB,TRIP METER
17	90201-05031-00	90201-05725-00
18	95380-05600-00	NUT
19	90164-04006-00	SCREW,TAPPING
20	48H-83536-00-00	DISCONTINUED
21	29L-83520-00-00	DISCONTINUED
22	4G1-84744-00-00	4G1-84744-00-XX
23	91316-08012-00	91317-08012-00
24	2L0-83550-00-00	2L0-83550-01-00
25	29L-83560-00-00	3BN-83560-10-00



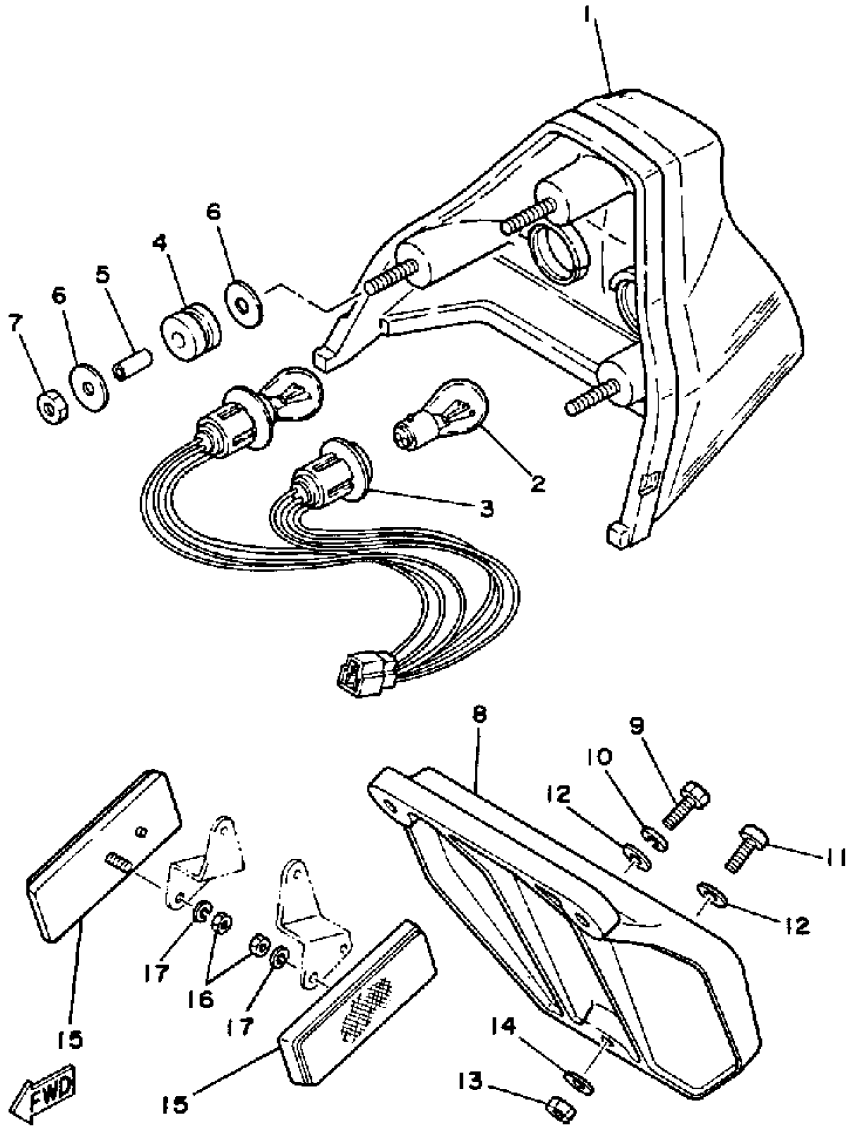
29L010-3380



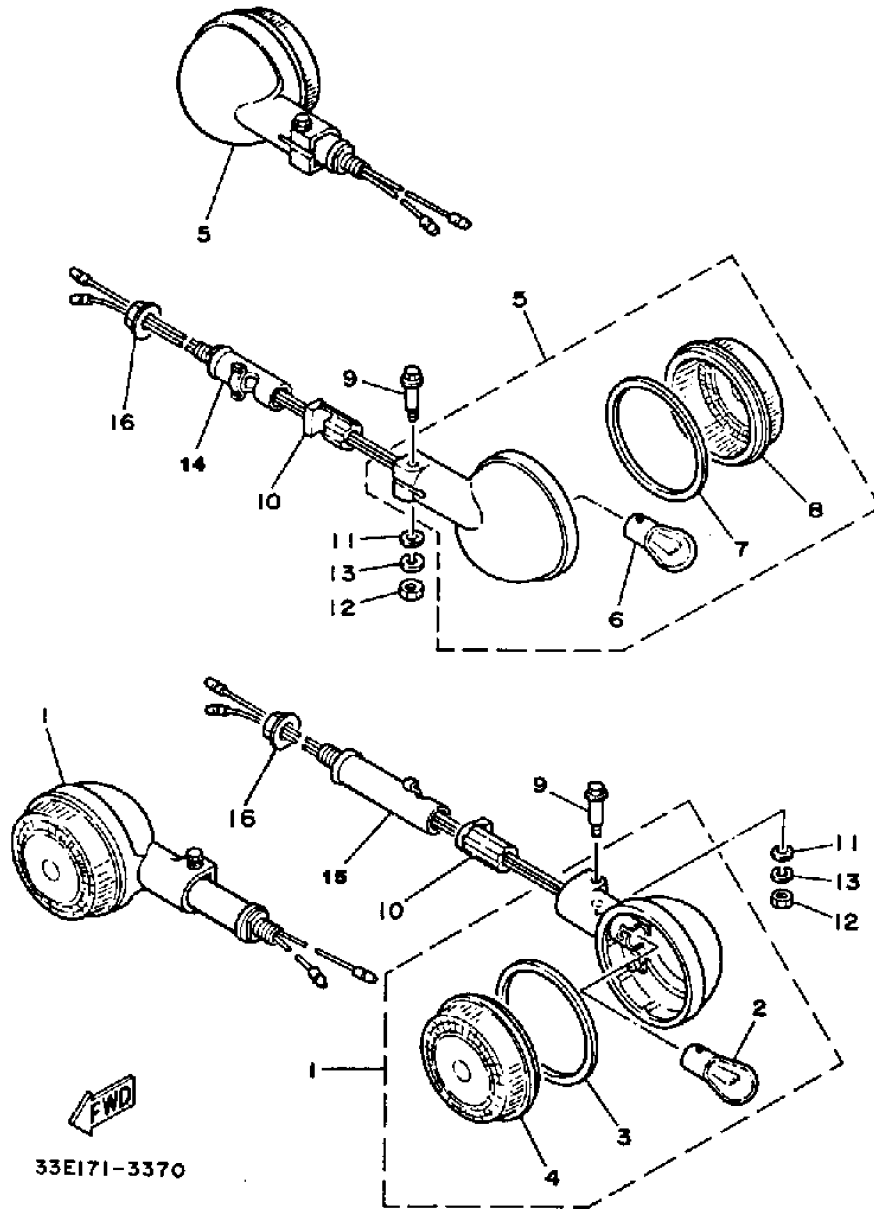
33E171-3390

Ref. No.	Part No.	Description
1	33E-84303-A0-00	HEADLIGHT UNIT ASY
2	1AR-84315-00-00	» RIM, HEADLIGHT
3	29L-84395-00-00	» RING, RETAINING
4	33E-84320-A0-00	» LENS ASY
5	2F9-84375-00-00	» FITTING PLATE, BULB
6	2F9-84397-01-00	» COVER, SOCKET
7	43F-84131-00-00	» SCREW, RIM ADJUSTER
8	341-84332-60-00	» SPRING, SCREW
9	198-84334-60-00	» NUT, ADJUSTING
10	14T-84124-00-00	» SPRING, SET
11	98516-05012-00	» 98517-05012-00
12	5V2-84314-00-XX	BULB, HL 12V/60/55W
13	29L-84330-00-00	29L-84330-01-00
14	5G2-84388-00-00	» COLLAR 1
15	5G2-84398-00-00	» SCREW, MNTNG RING
16	5G2-84366-00-00	» DAMPER, HEADLIGHT 1
17	5G2-84367-00-00	» DAMPER, HEADLIGHT 2
18	5G2-84368-00-00	» DAMPER 3
19	95816-08030-00	95817-08030-00
20	95333-08600-00	98880-08100-00
21	92990-08200-00	9299R-08200-00
22	92990-08100-00	WASHER, SPRING
23	29L-28372-02-00	DISCONTINUED

Ref. No.	Part No.	Description
1	33E-84540-60-00	29L-84540-00-00
2	256-84714-61-00	BULB, TL 12V27/8W
3	29L-84735-00-00	51X-84735-00-00
4	16G-84736-00-00	DAMPER, TAIL
5	90387-065G1-00	90387-06697-00
6	90201-06697-00	WASHER, PLATE
7	95380-06600-00	NUT
8	33E-84751-00-00	BRACKET, LICENSE
9	97016-06020-00	97017-06020-00
10	92906-06100-00	92907-06100-00
11	98506-06016-00	98507-06016-00
12	90201-06059-00	90201-065F3-00
13	95380-06600-00	NUT
14	90201-06M08-00	WASHER, PLATE
15	3Y6-85130-02-00	REAR REFLECTOR ASY
16	95311-05700-00	95317-05700-00
17	92990-05100-00	WASHER, SPRING



33E171-3400

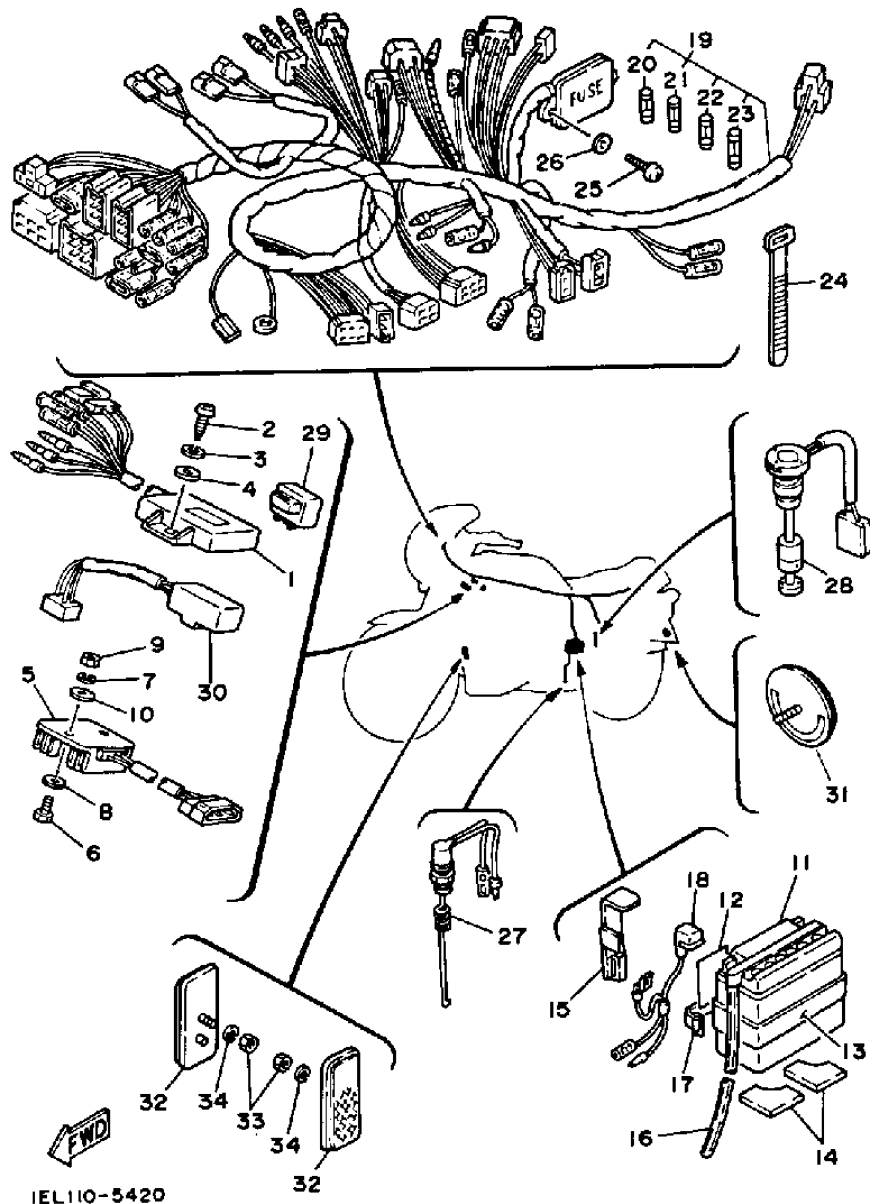


Ref. No.	Part No.	Description
1	29L-83330-70-00	R FLSHR LITE ASY
2	256-83311-70-XX	» BULB,TS 12V27W
3	3Y6-83313-00-00	» GASKET,FLSHR LENS
4	3Y6-83312-00-00	» LENS,FLASHER
5	29L-83330-70-00	R FLSHR LITE ASY
6	256-83311-70-XX	» BULB,TS 12V27W
7	3Y6-83313-00-00	» GASKET,FLSHR LENS
8	3Y6-83312-00-00	» LENS,FLASHER
9	3Y6-83317-00-00	BOLT,FLASHER 1
10	4L0-83321-00-00	DAMPER,FLASHER 1
11	92906-05600-00	92907-05600-00
12	95306-05600-00	95307-05600-00
13	92906-05100-00	92907-05100-00
14	13W-83318-00-00	STAY,FLASHER 1
15	4L0-83318-00-00	STAY,FLASHER 1
16	95706-12500-00	95707-12500-00

Catalog Title:
1985 RZ350N/NC/NCII

Block No.
G-5

Block Title:
ELECTRICAL 1



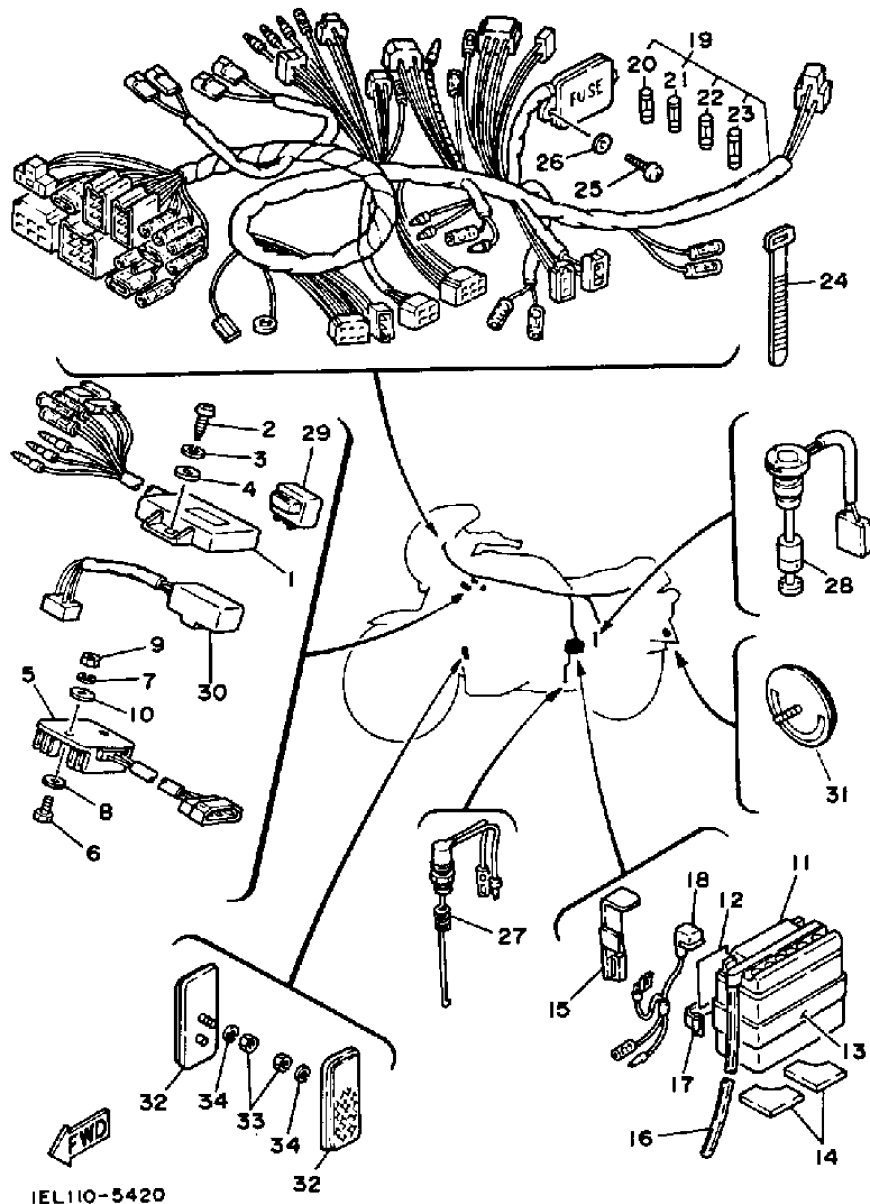
Ref. No.	Part No.	Description
1	52Y-85540-50-00	CDI UNIT ASY.
2	29K-85540-50-00	CDI UNIT ASY
2	97702-60120-00	SCREW,TAPPING
3	92995-06100-00	WASHER
4	92990-06200-00	WASHER
5	4L0-81960-A0-00	2J2-81960-A1-00
6	97023-06020-00	97024-06020-00
7	92995-06100-00	WASHER
8	92990-06600-00	WASHER
9	95380-06600-00	NUT
10	90201-06M08-00	WASHER,PLATE
11	BTY-12N55-3B-00	YUASA 12N5.5-3B
12	118-82141-09-00	40A-82141-G0-00
13	1UA-82124-00-00	BAND,BATTERY
12	29L-82122-00-00	DISCONTINUED
15	29L-82129-00-00	COVER,BATTERY
16	90445-08336-00	90445-084J3-00
17	26H-82131-00-00	BAND,BATTERY
18	51X-82117-00-00	WIRE LEAD
19	1EL-82590-00-00	DISCONTINUED
19	48H-82590-50-00	DISCONTINUED
20	5G2-82151-00-00	» FUSE
21	116-82151-00-00	» 1A0-82151-00-00
22	4X7-82151-00-00	» FUSE
23	1A0-82161-00-00	» FUSE

IEL110-5420

Catalog Title:
1985 RZ350N/NC/NCII

Block No.
G-5

Block Title:
ELECTRICAL 1



Ref. No.	Part No.	Description
24	437-83936-11-00	BAND, SWITCH CORD
25	97780-60116-00	SCREW, TAPPING
26	92990-06200-00	WASHER
27	1T2-82530-02-00	STOP SWITCH ASY
28	34X-85720-01-00	OIL LVL. GAUGE ASSY
29	4H7-83350-70-00	FLASHER RELAY ASY
30	1A0-83395-03-00	FLASHER CANCL UNIT
31	449-85131-02-00	REFLECTOR, REAR 1
32	11H-85110-01-00	FRT REFLECTOR ASY
33	95311-05700-00	95317-05700-00
34	92990-05100-00	WASHER, SPRING

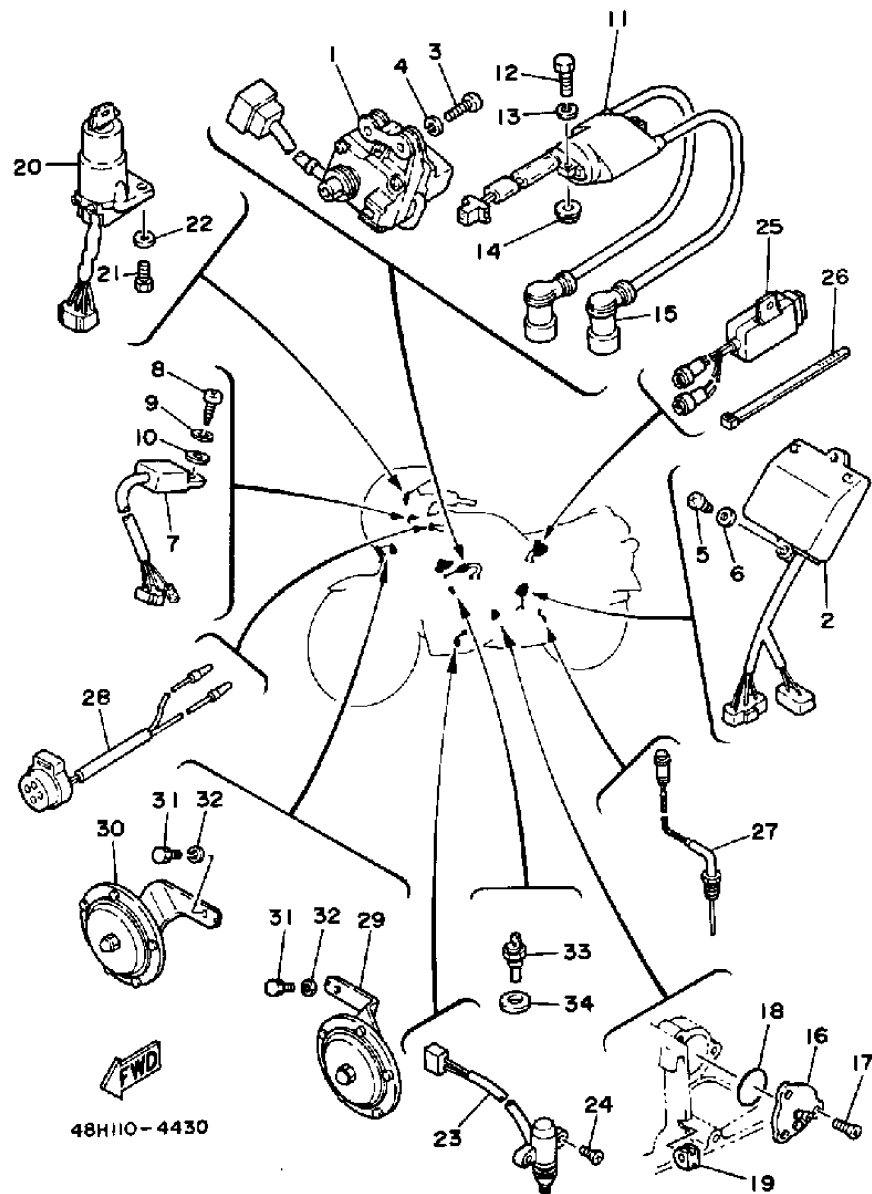
IEL110-5420

32

Catalog Title:
1985 RZ350N/NC/NCII

Block No.
G-7

Block Title:
ELECTRICAL 2

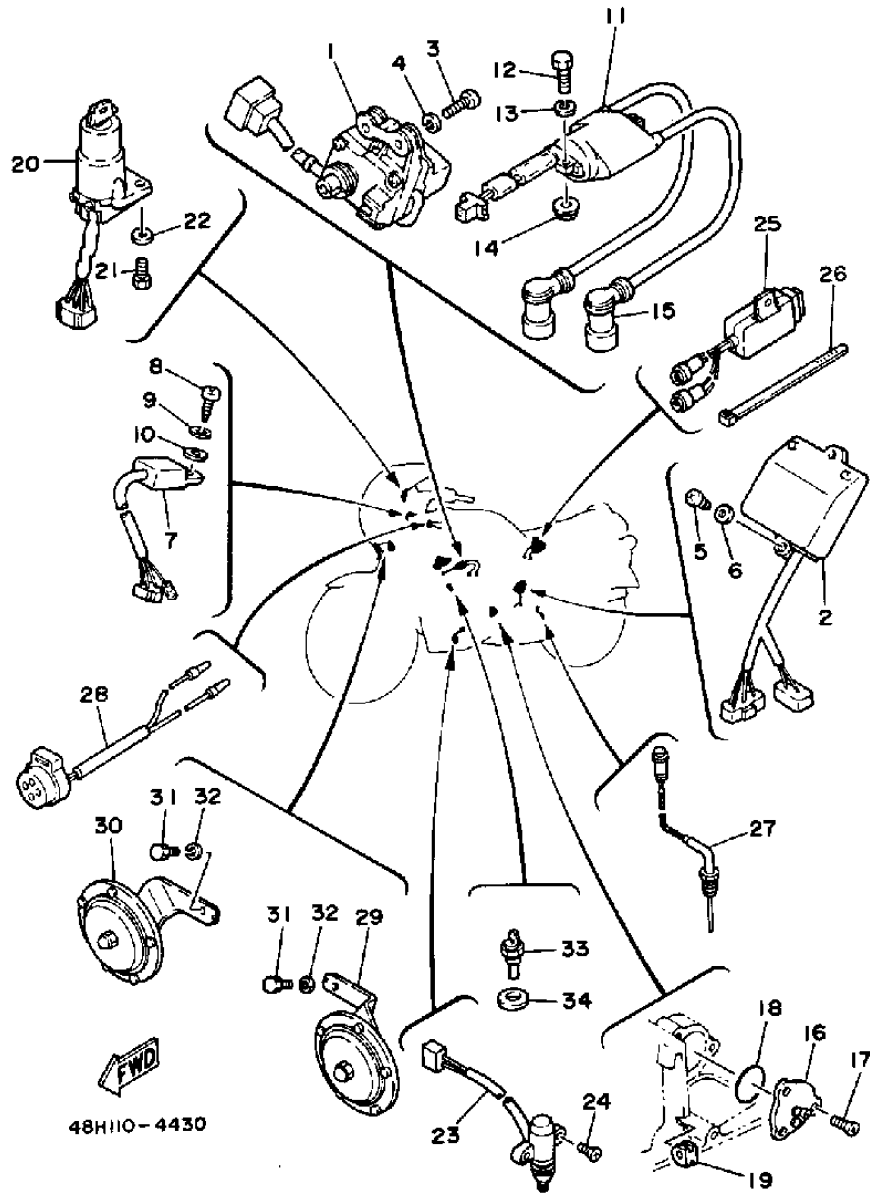


Ref. No.	Part No.	Description
1	29L-85820-M2-00	SERVOMOTOR ASY
2	48H-85830-M0-00	DISCONTINUED
2	29L-85830-M0-00	CONTROL UNIT ASY
3	98511-06025-00	98517-06025-00
4	92995-06100-00	WASHER
5	97780-60116-00	SCREW, TAPPING
6	92990-06200-00	WASHER
7	4Y3-85590-M0-00	CONTROL UNIT ASY
8	97702-60120-00	SCREW, TAPPING
9	92995-06100-00	WASHER
10	92990-06600-00	WASHER
11	4L0-82310-50-00	IGNITION COIL ASY
12	97011-06025-00	97017-06025-00
13	92995-06100-00	WASHER
14	95701-06500-00	95704-06500-00
15	29L-82370-00-00	4BP-82370-00-00
16	1L9-82540-00-00	NEUTRAL SWITCH ASY
17	98701-05012-00	98707-05012-00
18	93210-29147-00	O-RING
19	90480-01148-00	GROMMET
20	31K-82501-30-00	1GM-82501-31-00
21	97313-06016-00	97095-06016-00
22	92990-06600-00	WASHER
23	33E-82566-00-00	SWITCH, SIDE STAND
24	98706-05016-00	98707-05016-00

Catalog Title:
1985 RZ350N/NC/NCII

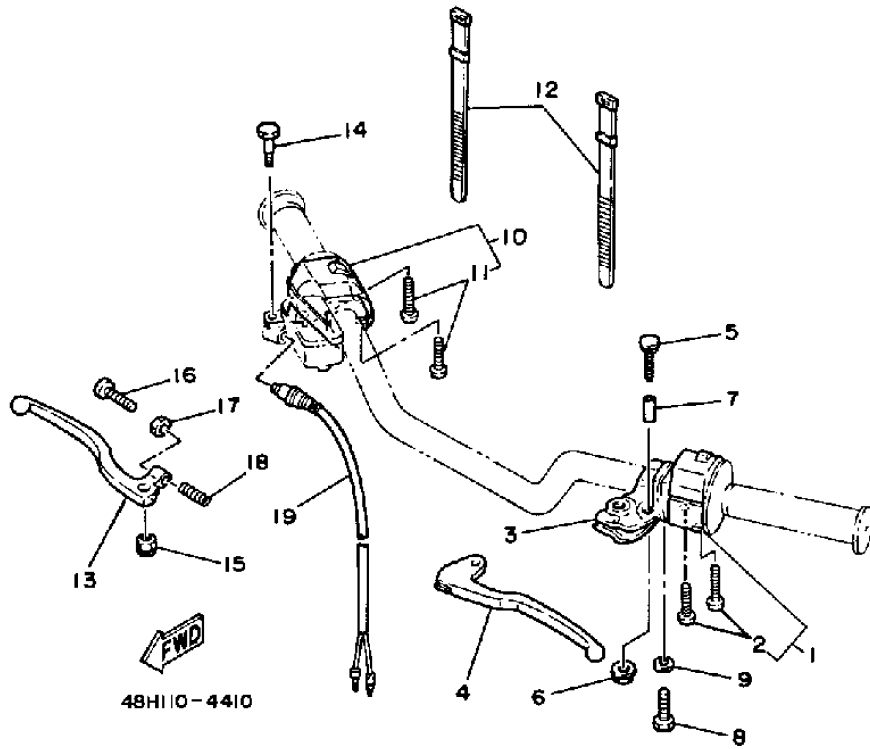
Block No.
G-7

Block Title:
ELECTRICAL 2



Ref. No.	Part No.	Description
25	48H-85740-00-00	DISCONTINUED
26	12R-82591-00-00	1UA-82591-00-00
27	48H-85790-00-00	DISCONTINUED
28	48H-83390-20-00	DISCONTINUED
29	29L-83371-20-00	HORN
30	29L-83371-30-00	HORN
31	97016-08016-00	97017-08016-00
32	92906-08100-00	92907-08100-00
33	5R2-83591-00-00	THERMO UNIT
34	90201-10118-00	WASHER, PLATE

Ref. No.	Part No.	Description
1	52X-83973-00-00	SWITCH,HANDLE 3
2	98506-05035-00	» 98507-05035-00
3	29L-82911-01-00	HOLDER,LEVER 1
4	29L-83912-01-00	LEVER L
5	31A-83945-00-00	BOLT,LEVER
6	95706-06500-00	95707-06500-00
7	31A-83913-00-00	COLLAR,LEVER 1
8	97016-06025-00	97017-06025-00
9	92906-06100-00	92907-06100-00
10	48H-83976-00-00	SWITCH,HANDLE 1
11	98506-05040-00	» 98507-05040-00
12	437-83936-01-00	BAND,SWITCH CORD
13	31A-83922-00-00	LEVER R
14	90109-06577-00	BOLT
15	95616-06100-00	95617-06100-00
16	90149-06153-00	90149-06131-00
17	90170-06010-00	NUT,HEXAGON
18	90501-10312-00	SPRING,COMPRESSION
19	1A0-83980-30-00	26H-83980-00-00



Block No.

H-1

Block Title:

TOP END GASKET KIT

Ref. No.	Part No.	Description
	48H-W0001-90-00	DISCONTINUED
	31K-11181-00-00	» GASKET,CYL HEAD 1
	90430-06166-00	» GASKET
	29L-11351-00-00	» 29L-11351-01-00
	93210-30734-00	» O-RING
	3GG-12428-00-00	» GASKET,HSNG CVR 2
	3XV-12435-00-00	» GASKET
	93210-16314-00	» O-RING
	31K-13621-00-00	» 3GG-13621-00-00
	29L-14613-00-00	» GASKET,EXST PIPE
	29L-14643-00-00	» 29L-14643-10-00

MOTORCYCLE	DATE 2/15/85
------------	--------------

RZ350N/NC 1985 SERVICE DATA

MODEL / IBM I.D. NUMBER	RZ350N-48H	RZ350NC-1EL
Initial Engine Number / Frame Number	See Page 2	
Fuel Type / Total Fuel Tank Capacity / Reserve Cap.	Unleaded Only / 20.0 Lit (5.3 gals) / 4.0 Lit (1 gal)	

ENGINE TYPE	2-Stroke, Reed Valve, YPVS	
Bore / Stroke / Number Cylinders / Displacement	64.0mm / 54.0mm / 2 / 347cc	
Compression Ratio/Compression Pressure Min~Max	6.0:1 / NA	
Piston Skirt Clearance New / Max	0.060 ~ 0.065mm / 0.10mm	
Ring End Gap Top / 2nd / 3rd	0.30 ~ 0.45mm / 0.35 ~ 0.50mm / ϕ	
Valve Clearance (Cold) Intake / Exhaust	ϕ	
Oiling System	Autolube	
Capacity: Dry	1.6 Lit (1.7 qts)	
Oil & Filter Change / Oil Change Only	ϕ / ϕ	
Oil Filter Part Number	ϕ	
Lubricant: Temp Above 5°C (40°F)	Yamalube 2* or Equivalent	
Temp Below 15°C (60°F)	Yamalube 2* or Equivalent	
Cooling System / Capacity / Cap Opening Pressure	Liquid / 1.5 Lit (1.6 qt) / 0.75~1.05 kg/cm ² (10.7~15 psi)	
Coolant Type / Mixing Ratio	Ethylene Glycol/Water / 1:1	

AUTOLUBE - Min Stroke / Color Code	0.10 ~ 0.15mm / Yellow	
Minimum Output @ 200 Cycles	0.12 ~ 0.19cc	
Maximum Output @ 200 Cycles	2.58 ~ 2.85cc	

CARBURETOR - Manufacturer / Type / I.D. Number	Mikuni / VM26SS / 48H-00	1EL-00
Main Jet / Pilot Jet / Pilot Screw (Turns Out)	230 / 20 / 1½	
Needle Jet / Jet Needle-Clip Position	0-8 / SCK1 Fixed	
Slide Cutaway	2.0	
Float Level / Fuel Level	21.0 ± 0.5mm / 2.0 ± 1.0mm	
Idle rpm	1200 rpm	
Max CO _e / Max HC _e / Set CO	ϕ	

SUSPENSION		
Front: Oil Type / Level / Qty	10 wt. Fork Oil* / 123mm / 253cc	
Gas Pressure Min ~ Max / Standard	0 ~ 1.2 kg/cm ² (0 ~ 17 psi) / 0.4 kg/cm ² (5.7 psi)	
Spring Length Standard	506.2mm	
Rear: Gas Pressure Min ~ Max / Standard	ϕ	
Minimum Brake Lining Thickness Front / Rear	0.8mm / 0.5mm	
Tire Size / Nominal Pressure: Front	90 / 90H18 / 1.75 kg/cm ² (24.9 psi)	
Rear	110 / 80H18 / 2.0 kg/cm ² (28.4 psi)	

TRANSMISSION - Oil Type / Qty Change / Qty Dry	SAE 10W30 SE or SF 1.5 Lit (1.6 qt) / 1.7 Lit (1.8 qt)	
Secondary Drive Type / Teeth / Chain	Chain / 40-17 / 520VSR106L	
Middle Gear Case Capacity	ϕ	
Final Gear Case Capacity	ϕ	
Gear Case Lubricant	ϕ	

SERVICE COPY	SER MGR	MECH	MECH	MECH	BINDER
OFFICE COPY	GEN MGR	SALES	PARTS	BINDER	PAGE 1 OF 2

CHARGING SYSTEM	
Battery: Model / Specific Gravity / Charge Rate	12N5.5-3B (12V5.5A) / 1.280 / 0.55A
Maximum Output	14A @ 5000 rpm
Field Coil Color Code / Ω	ϕ
Stator Coil Color Code / Ω	Wht ~ Wht / 0.5 Ω \pm 20%
Charge Coil Color Code / Ω	ϕ

IGNITION SYSTEM	
Ignition Timing	17° @ 1200 rpm Full Adv. 27° @ 3500 rpm
Spark Plug Type	NGK BR8ES (BR9ES-High Speed)
Spark Plug Gap / Torque / Cap Ω	0.7 ~ 0.8mm / 2.0 m·kg (14 ft·lbs) / 10K Ω
Ignition Coil Test Gap / Primary Ω / Secondary Ω	6mm / 0.33 Ω \pm 10% / 3.5K Ω \pm 20%
Pulser Coil or Pickup Coil Color Code / Ω	Wht ~ Brn ~ Wht-Red / 117 Ω \pm 20%
Source Coil Color Code / Ω	Brn ~ Grn / 133 Ω \pm 20%; Brn ~ Red-Wht 4.1 Ω \pm 20%

LIGHTING SYSTEM	
Headlight / Taillight / Signal Rating	12V60-55W / 12V27-8W / 12V27W
Lighting Coil Color Code / Ω	ϕ

TORQUE VALUES	
Front Axle Nut	M12: 7.4 m·kg (53 ft·lbs)
Front Axle Holder Nut	ϕ
Rear Axle Nut	M12: 10.5 m·kg (76 ft·lbs)
Rear Axle Pinch Bolt	ϕ
Clutch Nut	M20: 9.0 m·kg (65 ft·lbs)
Drain Plug	M14: 2.0 m·kg (14 ft·lbs)
Flywheel Nut	M12: 8.0 m·kg (58 ft·lbs)
Cylinder Head Cover	ϕ
Cylinder Head:	M8: 2.5 m·kg (18 ft·lbs)
Engine Mounting Bolts:	M10: 6.5 m·kg (47 ft·lbs)
	M8: 2.3 m·kg (17 ft·lbs)

Initial Engine Number / Frame Number	RZ350N:48H-010101 / JYA48H00()FA010101
	RZ350NC:1EL-000101 / JYA1EL00()FA000101

ϕ = Does Not Apply to This Model
 NA = Information Not Available

* = Available from YPDI
 * = For Diagnostic Use Only

SERVICE LITERATURE

PUBLICATION	PART NUMBER	REMARKS
Owner's Manual	LIT-11626-04-70	Same as RZ350L
Service Manual	LIT-11616-04-70	
Assembly Manual	LIT-11666-04-12	
Consumer Info.	LIT-11656-04-05	